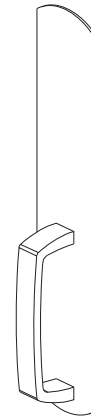


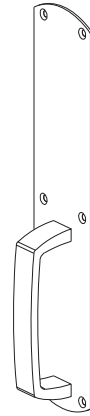
VON DUPRIN®

880, 606,
608, & 609
Series Trim

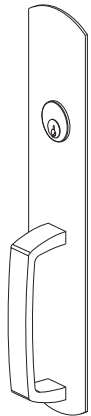
Service manual



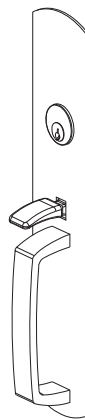
880DT



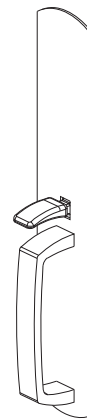
880DT-SA



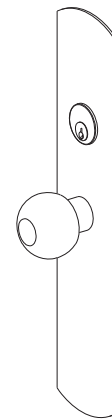
880NL



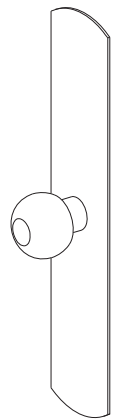
880TP



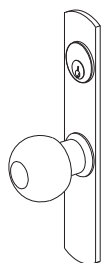
880TP-BE



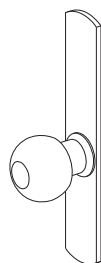
880K
880K-RIGID



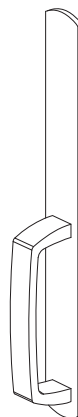
880K-BE
880K-DT



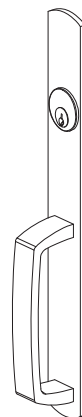
606K
606K-RIGID



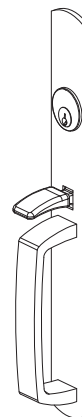
606K-BE
606K-DT



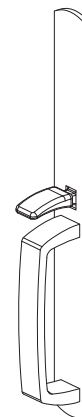
608DT



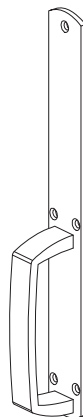
608NL



608TP



608TP-BE



609DT-SA

INDEX

General Information

Introduction	2
How to Order	2
Part Number Changes	2
Finishes	3

880, 606, 608, and 609 Series Trim Parts

Screw Packages	3
880DT	4
880DT-SA	4
880NL	4
880TP	4
880TP-BE	4
880K	5
880K-BE	5
880K-DT	5
880K-RIGID	5
606K	6
606K-BE	6
606K-DT	6
606K-RIGID	6
608TP	7
608TP-BE	7
608DT	7
608NL	7
609DT-SA	8

INTRODUCTION

This manual contains a listing of replaceable parts and assemblies for the 880 Series Trim.

HOW TO ORDER

Some parts are sold separately. Other items are available as part of a kit or multiple quantity package. For the best possible service when ordering replacement parts or assemblies, please provide the following information:

- Part number or assembly number
- Description
- Quantity needed
- Finish desired (if available finished)
- Date of original purchase (if known)

To find out the name of your local Von Duprin distributor or sales representative, contact:

Von Duprin Division
Allegion
2720 Tobey Drive
Indianapolis, IN 46219
Phone: (877) 671-7011

PART NUMBER AND AVAILABILITY CHANGES

This manual was designed to help illustrate the replacement parts and kits that are available for sale. Because of changes to the product and/or manufacturing process, part numbers and availability can change over time.

FINISHES

US Number	BHMA Number	Color
US3	605	Brass, polished (laquered)
US10	612	Bronze, dull (laquered)
US10A	—	Bronze, dull (no laquer)
US10B	613	Brass, dull (oxidized, oil rubbed)
US26	625	Chrome, polished
US26D	626	Chrome, dull
US32	629	Stainless steel, polished
US32D	630	Stainless steel, satin

SCREW PACKAGES

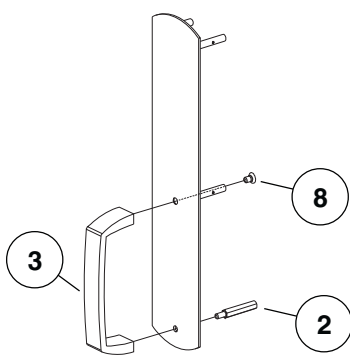
Part No.	Description	Quantity	Finish
900531	880 Screw Pkg. 2-1/4" Door		X
	10-24 x 2-1/2" OPHMS	8	
900533	880 Screw Pkg. 1-3/4" Door		X
	10-24 x 1-1/2" OPHMS	8	
900542	880 V Screw Pkg.		
	10-24 x 3/4" PPHMS	8	
900771	880 Bottom Screw Pkg.		X
	#12 Countersink Washer	1	
	12-24 x 1" OPHMS	1	
900783	880DT-V SA Screw Pkg.		X
	10-24 x 1/2" OPHMS	6	
900772	606DT/NL/TP Screw Pkg.		X
	#12 Countersink Washer	1	
	12-24 x 1-5/8" OPHMS	1	
900782	606K/K-DT Screw Pkg.		X
	#12 Countersink Washer	1	
	12-24 x 1-1/2" FPHMS	2	
	12-24 x 1-5/8" OPHMS	1	
900776	608 Screw Pkg.		X
	#12 Countersink Washer	2	
	12-24 x 1-1/2" FPHMS	2	
	12-24 x 1-5/8" OPHMS	2	

X in "Finish" column designates finished item; specify finish when ordering.

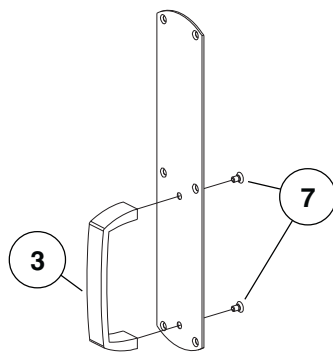
880DT, 880DT-SA, 880NL, 880TP, 880TP-BE PARTS

Item No.	Part No.	Description	Quantity	Finish
1	032114	216D Cylinder Anchor Plate	1	
2	956760	880 Series Hex Stud	1	
3	972466	880 Pull Grip (US26D)	1	X
3	972467	880 Pull Grip (all other finishes)	1	X
4	959575	880-M/V Thumbpiece	1	X
4	970488	608/880TP-R Thumbpiece	1	X
5	959603	880 Thumbpiece Axle	1	
6	961267	880-M Cylinder Collar	1	X
6	965226	880-R Cylinder Collar	1	X
7	963011	880DT-V-SA 12-24 x 1/2" UFPHMS	1	
8	963579	880NL/DT 12-24 x 3/8" UFPHMS	1	
9	965237	880TP Bracket Screw	1	
10	969353	880TP Thumbpiece Bracket	1	

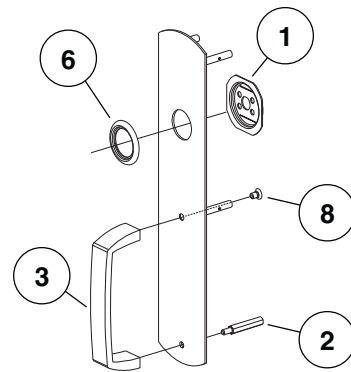
X in "Finish" column designates finished item; specify finish when ordering.



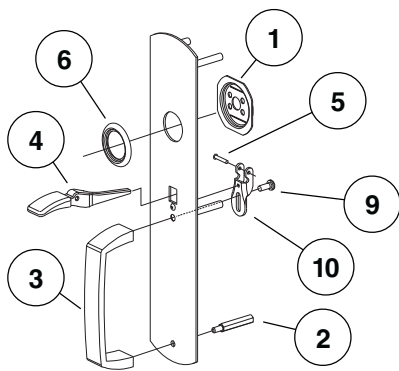
880DT



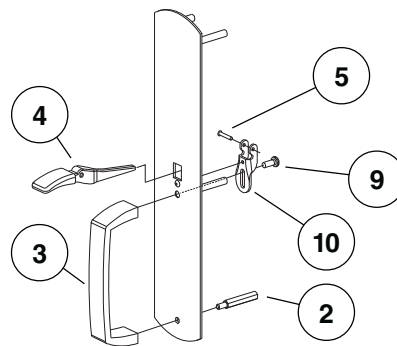
880DT-SA



880NL



880TP

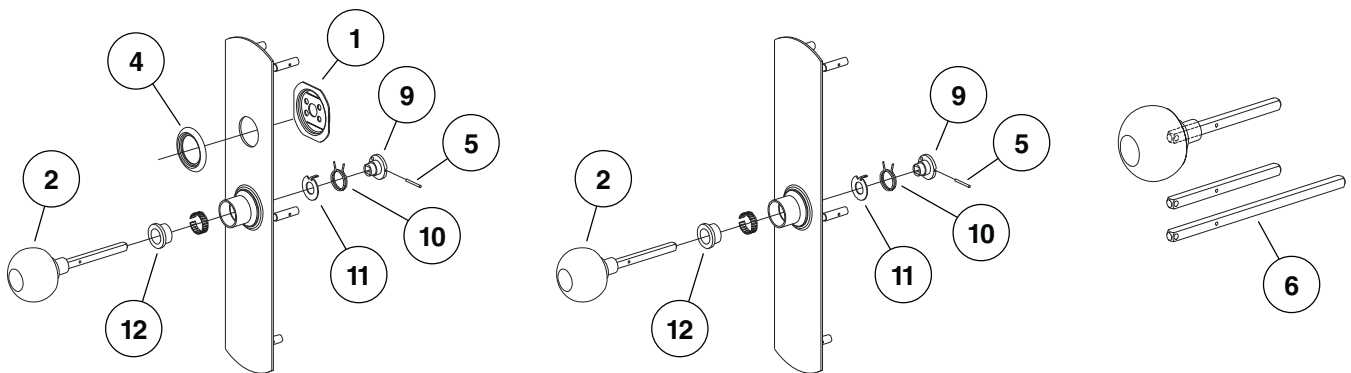


880TP-BE

880K, 880K-BE, 880K-DT, 880K-RIGID PARTS

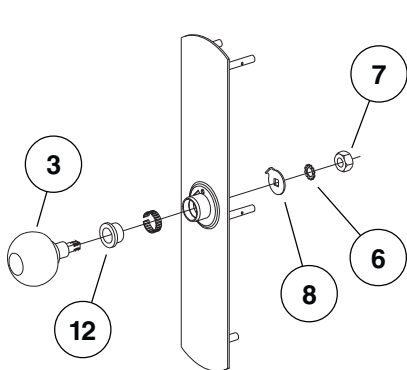
Item No.	Part No.	Description	Quantity	Finish
1	032114	216D Cylinder Anchor Plate	1	
2	110544	880K Orbit Knob Assembly	1	X
3	110547	880K Orbit Knob Assembly (DT)	1	X
4	961267	880-M Cylinder Collar	1	X
4	965226	880-R Cylinder Collar	1	X
5	963196	606K/880K Roll Pin (3/32" x 7/8")	1	
6	963703	606K/880K 3/8" Lockwasher	1	
7	963704	606K/880K-DT/K-NL Hex Nut	1	
8	965568	606/880 DT Spindle Lock	1	
9	970137	880K Booster Body	1	
10	970138	880K Booster Torsion Spring	1	
11	970139	880K Booster Spacer	1	
12	970159	880K Flange Bearing	1	
13	968883	Extended Spindle - 880K	1	

X in "Finish" column designates finished item; specify finish when ordering.

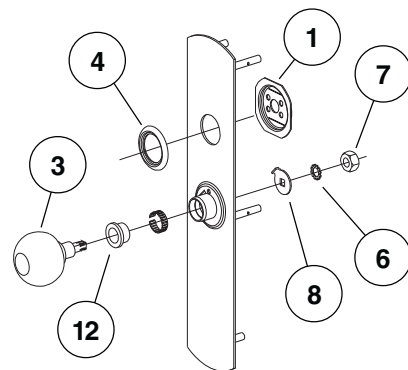


880K

880K-BE



880K-DT

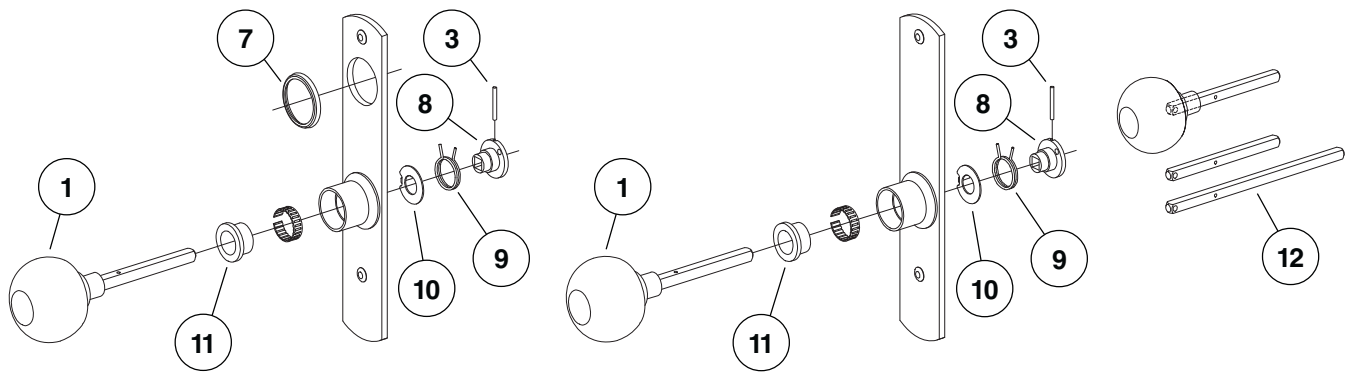


880K-RIGID

606K, 606K-BE, 606K-DT, 606K-RIGID PARTS

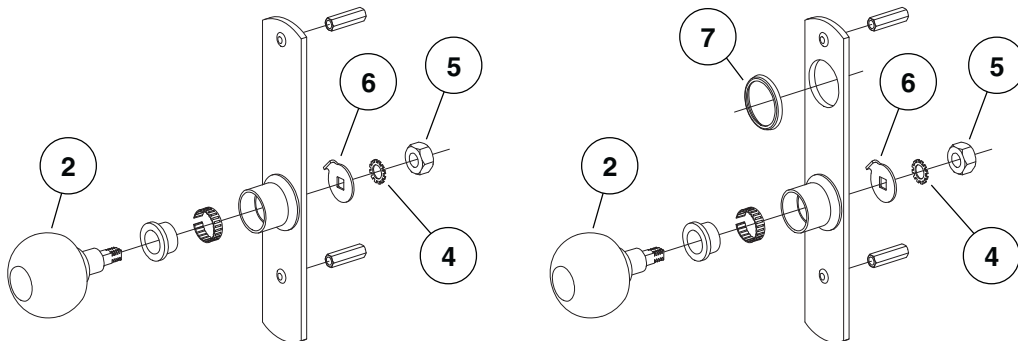
Item No.	Part No.	Description	Quantity	Finish
1	110544	880K Orbit Knob Assembly	1	X
2	110547	880K Orbit Knob Assembly (DT)	1	X
3	963196	606K/880K Roll Pin (3/32" x 7/8")	1	
4	963703	606K/880K 3/8" Lockwasher	1	
5	963704	606K/880K-DT/K-NL Hex Nut	1	
6	965568	606/880 DT Spindle Lock	1	
7	961267	880-M Cylinder Collar	1	X
8	970137	880K Booster Body	1	
9	970138	880K Booster Torsion Spring	1	
10	970139	880K Booster Spacer	1	
11	970159	880K Flange Bearing	1	
12	968883	Extended Spindle - 880K	1	

X in "Finish" column designates finished item; specify finish when ordering.



606K

606K-BE



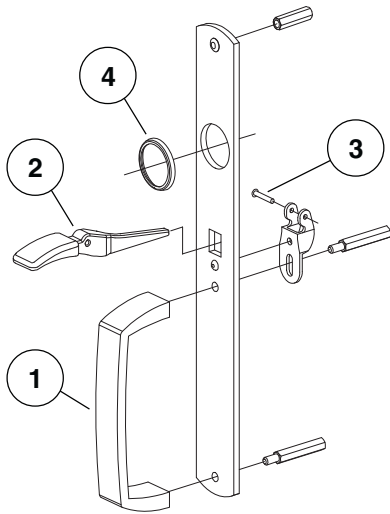
606K-DT

606K-RIGID

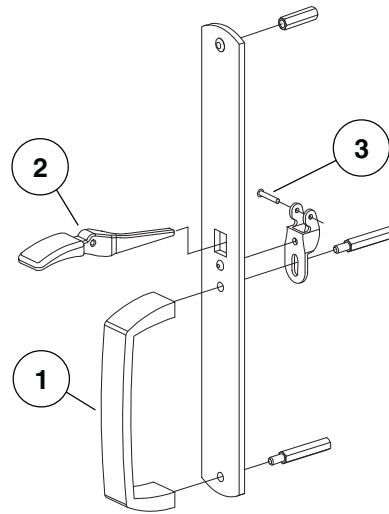
608TP, 608TP-BE, 608DT, 608NL PARTS

Item No.	Part No.	Description	Quantity	Finish
1	972466	Pull Grip (US26D)	1	X
1	972467	Pull Grip (all other finishes)	1	X
2	959575	880-M/V Thumbpiece	1	X
2	970488	608/880TP-R Thumbpiece	1	X
3	959603	880 Thumbpiece Axle	1	
4	961267	880-M Cylinder Collar	1	X

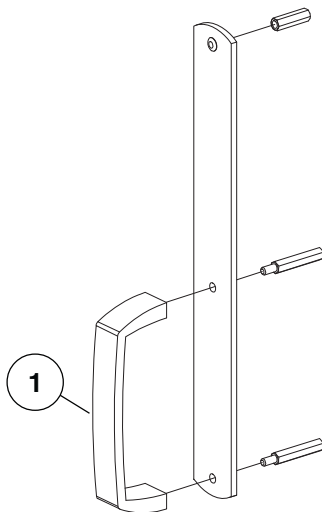
X in "Finish" column designates finished item; specify finish when ordering.



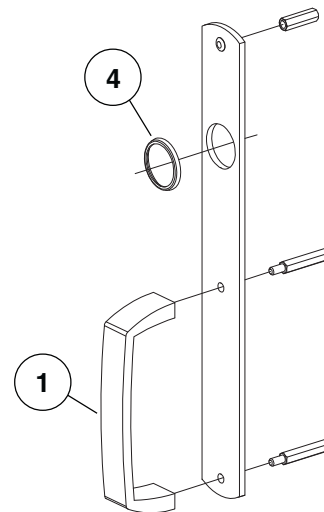
608TP



608TP-BE



608DT

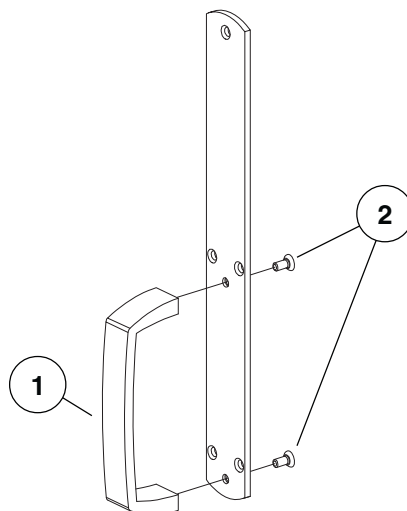


608NL

609DT-SA PARTS

Item No.	Part No.	Description	Quantity	Finish
1	972466	Pull Grip (US26D)	1	X
1	972467	Pull Grip (all other finishes)	1	X
2	963011	880DT-V-SA 12-24 x 1/2" UFPHMS	1	

X in "Finish" column designates finished item; specify finish when ordering.



609DT-SA

About Allegion

Allegion (NYSE: ALLE) creates peace of mind by pioneering safety and security. As a \$2 billion provider of security solutions for homes and businesses, Allegion employs more than 7,800 people and sells products in more than 120 countries across the world. Allegion comprises 23 global brands, including strategic brands CISA®, Interflex®, LCN®, Schlage® and Von Duprin®.

For more, visit www.allegion.com.

aptiQ ■ LCN ■ **SCHLAGE** ■ STEELCRAFT ■ VON DUPRIN