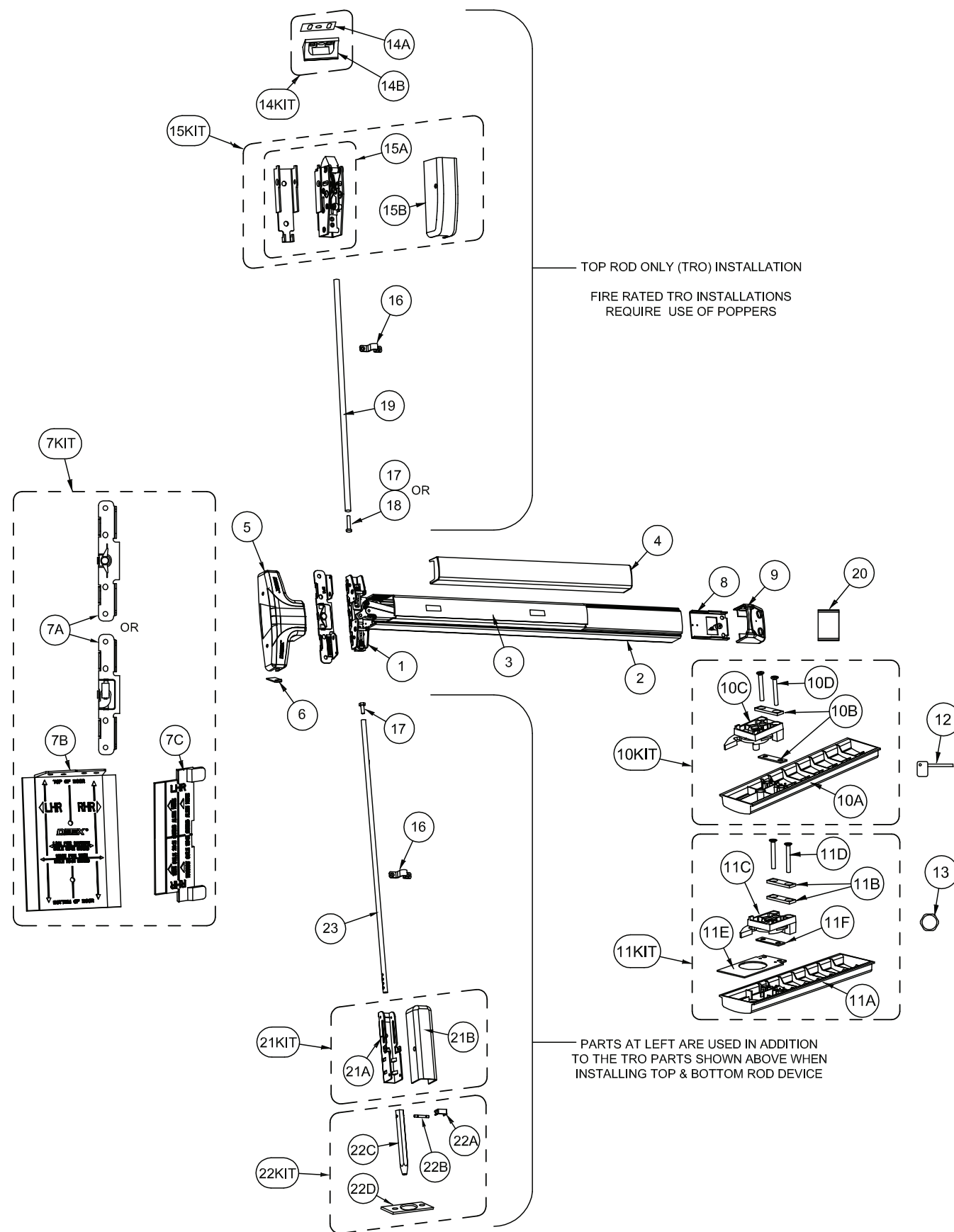


Item	Order Part #	Description	List Price
1	100698-5	Centercase Assembly, Narrow Stile, V40 series	\$ 127.00
2	106281	Baseplate Extrusion, 36", Silver	\$ 42.00
	106285	Baseplate Extrusion, 48", Silver	\$ 58.00
	106289	Baseplate Extrusion, 36", Black	\$ 45.00
	106290	Baseplate Extrusion, 48", Black	\$ 77.00
3	103065-1	Pushpad Subassembly, 36"	\$ 79.00
	103065-2	Pushpad Subassembly, 48"	\$ 94.00
4KIT	103806-1	Mounting Plate/Strike Locator Kit, Narrow Stile, 98 Strike BP2 (includes 4A & 4B)	\$ 30.00
	103806-3	Mounting Plate/Strike Locator Kit, Narrow Stile, 99 Strike, BP2 (includes 4A & 4C)	\$ 25.00
4A	100696-1	Mounting Plate, BP2, Narrow Stile	\$ 18.00
4B	101899	Strike Locator 2" Glass Door (98)	\$ 9.00
4C	100212	Strike Locator, Standard (99)	\$ 4.00
5	101805-1	Centercase Cover, V40 series	\$ 10.00
6	101844-1	Endcap bracket w/o battery holder	\$ 6.00
	101844	Endcap bracket w/ battery holder	\$ 9.00
7	101822	Endcap	\$ 6.00
8KIT	101803-1	Fillerplate, Subassembly, S&R, Hex Dogging, HD, V40 series, 36" (includes 8A or 8B through 8E)	\$ 46.00
8A	101812-1	Fillerplate, HD, 36"	\$ 15.00
8B	101812-2	Fillerplate, HD, 48"	\$ 15.00
8C	100164	Spacer, dogging bracket, .120" thick	\$ 2.00
8D	102216-4	Die cast dogging assembly, HD	\$ 28.00
8E	PP-5802-124	Screw, mach, 10-32 x 1-1/2" PFH	\$ 0.30
9KIT	102195-1	Fillerplate, Subassembly, S&R, Cylinder Dogging, CD, V40 series, 36" (includes 9A or 9B through 9G)	\$ 46.00
9A	102194-1	Fillerplate, CD, 36"	\$ 23.00
9B	102194-2	Fillerplate, CD, 48"	\$ 23.00
9C	100164	Spacer, dogging bracket	\$ 2.00
9D	102216-3	Die cast dogging assembly, CD	\$ 15.00
9E	PP-5802-124	Screw, mach, 10-32 x 1-1/2" PFH	\$ 0.30
9F	102196	Bracket, fillerplate, V40, CD	\$ 5.00
9G	100938	Spacer, dogging bracket, .060" thick	\$ 1.00
10	100450	Hex Key (for Hex Dogging)	\$ 3.00
11	100783	Cylinder Nut (for Cylinder Dogging)	\$ 3.00
12KIT	100855-2	99 Strike Kit (includes 12A & 12B)	\$ 35.00
	100855-1	98 Strike Kit (includes 12C, 12D & 12E)	\$ 44.00
	102212-1	94 Double Door Strike Kit (includes 12F & 12G)	\$ 57.00
12A	100234-1	Strike, Non-roller	\$ 25.00
12B	100088	Strike Shim	\$ 2.00
12C	100480	Strike, Mortise	\$ 20.00
12D	100482	Shim, Mortise Strike	\$ 4.00
12E	100481	Shield, Strike	\$ 16.00
12F	102211	Double Door Strike Plate	\$ 57.00
12G	102214	Shim, 94 strike	\$ 2.00
13	105417-1	Pushpad Wrap, 36", Red (English text)	\$ 17.00
	105417-2	Pushpad Wrap, 48", Red (English text)	\$ 17.00
	105417-3	Pushpad Wrap, 36", Black	\$ 17.00
	105417-4	Pushpad Wrap, 48", Black	\$ 17.00

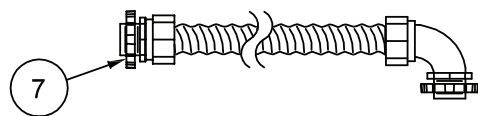
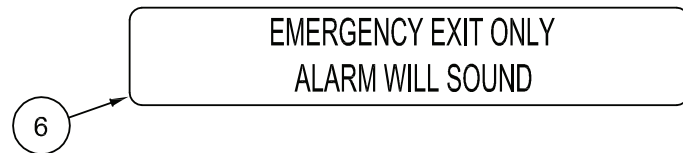
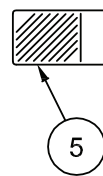
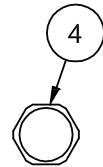
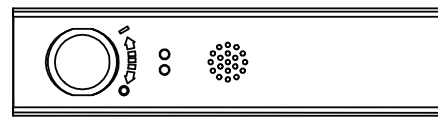
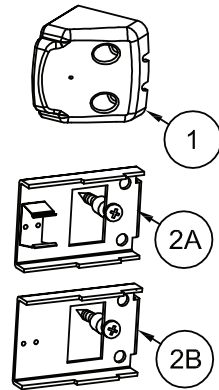
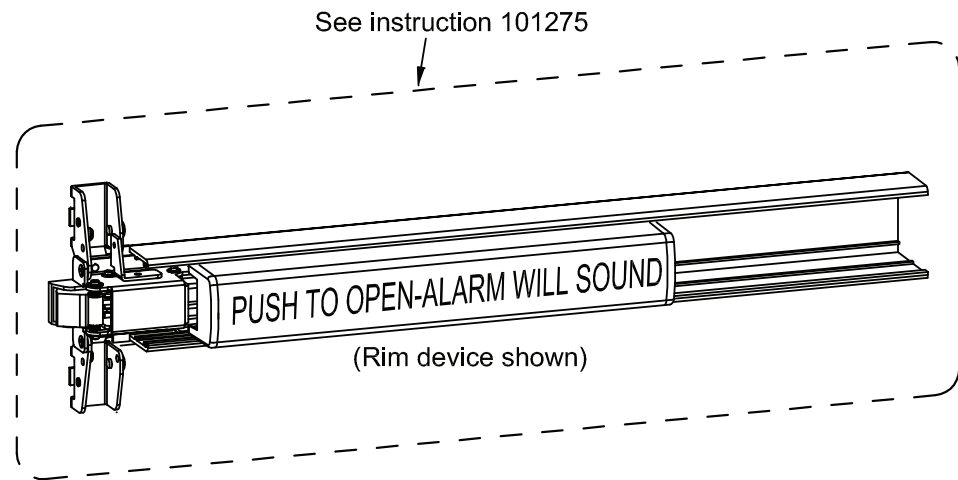
Your particular part or configuration may not be shown:
Contact Detex technical support at 800-729-3839 (option 2)





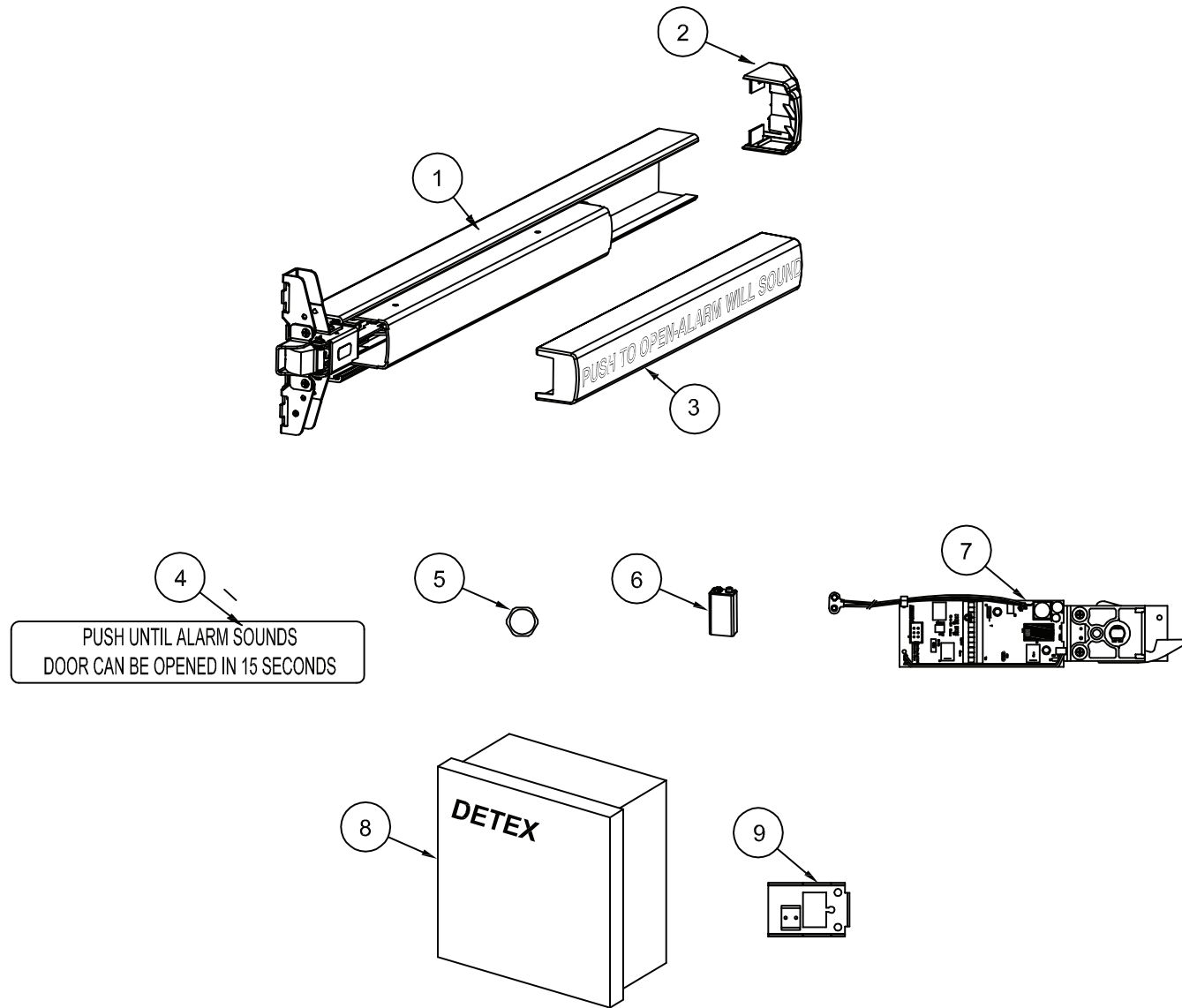
Item	Order Part #	Description	List Price
1	101463-9	Centercase, RHR, Narrow Stile, 50 Series	\$ 235.00
	101463-11	Centercase, LHR, Narrow Stile, 50 Series	\$ 235.00
2	106281	Baseplate Extrusion, 36", Silver	\$ 42.00
	106285	Baseplate Extrusion, 48", Silver	\$ 58.00
	106289	Baseplate Extrusion, 36", Black	\$ 45.00
	106290	Baseplate Extrusion, 48", Black	\$ 77.00
3	103065-1	Pushpad Subassembly, 36"	\$ 79.00
	103065-2	Pushpad Subassembly, 48"	\$ 94.00
4	105417-1	Pushpad Wrap, 36", Red (English Text)	\$ 17.00
	105417-2	Pushpad Wrap, 48", Red (English Text)	\$ 17.00
	105417-3	Pushpad Wrap, 36", Black	\$ 17.00
	105417-4	Pushpad Wrap, 48", Black	\$ 17.00
5	101805-3	Centercase Cover	\$ 24.00
6	103547	Centercase Cover Cap (for TRO device only)	\$ 23.00
7KIT	103806-15	Mounting Plate/Strike Locator Kit, Narrow Stile, 96, BP2 (includes 7A, 7B, 7C)	\$ 50.00
7A	100696-1	Mounting Plate, BP2, Narrow Stile	\$ 18.00
	100699	Mounting Plate, BP8 for 03 Trim, Narrow Stile	\$ 19.00
7B	101511-1	Strike Locator	\$ 18.00
7C	100720	Centercase Locator	\$ 12.00
8	101844-1	Endcap bracket w/o battery holder	\$ 6.00
	101844	Endcap bracket w/ battery holder	\$ 9.00
9	101822	Endcap	\$ 6.00
10KIT	101803-1	Fillerplate, Subassembly, S&R, Hex Dogging, HD, V50 series, 36" (includes 10A through 10D)	\$ 46.00
10A	101812-1	Fillerplate, HD, 36"	\$ 15.00
	101812-2	Fillerplate, HD, 48"	\$ 15.00
10B	100164	Spacer, dogging bracket, .120" thick	\$ 2.00
10C	102216-4	Die cast dogging assembly, Hex Dogging (HD)	\$ 28.00
10D	PP-5802-124	Screw, mach, 10-32 x 1-1/2" PFH	\$ 0.30
11KIT	102195-1	Fillerplate, Subassembly, S&R, Cylinder Dogging, CD, V50 series, 36" (includes 11A through 11F)	\$ 46.00
11A	102194-1	Fillerplate, CD, 36"	\$ 23.00
	102194-2	Fillerplate, CD, 48"	\$ 23.00
11B	100164	Spacer, dogging bracket	\$ 2.00
11C	102216-3	Die cast dogging assembly, Cylinder Dogging (CD)	\$ 15.00
11D	PP-5802-124	Screw, mach, 10-32 x 1-1/2" PFH	\$ 0.30
11E	102196	Bracket, fillerplate, CD, V50	\$ 5.00
11F	100938	Spacer, dogging bracket, .060" thick	\$ 1.00
12	100450	Hex Key (for Hex Dogging)	\$ 3.00
13	100783	Cylinder Nut (for Cylinder Dogging)	\$ 3.00
14KIT	100855-4	96 Strike Kit (includes 14A, 14B)	\$ 30.00
14A	101067	Strike Shim, Narrow	\$ 5.00
14B	100330	Strike, Non-roller, Narrow	\$ 22.00
15KIT	104071	Top Latch Assembly (includes 15A, 15B & cover screws)	\$ 225.00
15A	101464	Top Latch Assembly	\$ 199.00
15B	103545	Top Latch Cover	\$ 10.00
16	104073-1	Rod Guide Kit (1 guide with hardware)	\$ 9.00
	104073-2	Rod Guide Kit (2 guides with hardware)	\$ 18.00
	104073-3	Rod Guide Kit (3 guides with hardware)	\$ 27.00
17	101574-1	Bolt, 1/4-20 x 1"	\$ 0.25
18	101574-2	Bolt, 1/4-20 x 2"	\$ 0.45
19	104051-3	Top Rod (7' application)	\$ 54.00
	104051-4	Top Rod (8' application)	\$ 54.00
	103073-1	Top Rod (10' application)	\$ 200.00
20	101825-1	Narrow Stile Insert	\$ 12.00
21KIT	104070	Kit, Bottom Bracket/Cover (includes 21A, 21B & cover screws)	\$ 55.00
21A	103555	Bottom Bolt Bracket Subassembly	\$ 42.00
21B	103652-1	Cover, Bottom Latch	\$ 8.00
22KIT	104072	Kit, Bottom Bolt (includes 22A, 22B, 22C, 22D)	\$ 75.00
22A	103551	Bolt Clip	\$ 5.00
22B	103533	Pin, Bottom Bolt	\$ 4.00
22C	103536-1	Bottom Bolt	\$ 17.00
22D	103566	Strike, Bottom, with mounting hardware	\$ 48.00
23	103544	Bottom Rod	\$ 40.00

Your particular part or configuration may not be shown.
Contact Detex technical support at 800-729-3839 (option 2)



Item	Order Part #	Description	List Price
1	101822	Endcap	\$ 6.00
2A	101844	Endcap bracket with battery holder	\$ 9.00
2B	101844-1	Endcap bracket without battery holder	\$ 6.00
3	104358-4	Fillerplate Subassembly, EB, 3 ft	\$ 219.00
	104358-8	Fillerplate Subassembly, EB, 4 ft	\$ 228.00
	104358-1	Fillerplate Subassembly, EA, 3 ft	\$ 396.00
	104358-5	Fillerplate Subassembly, EA, 4 ft	\$ 406.00
	104358-3	Fillerplate Subassembly, EBxW, 3 ft	\$ 578.00
	104358-7	Fillerplate Subassembly, EBxW, 4 ft	\$ 590.00
	104287-2	Fillerplate Subassembly, EXxW, 3 ft LD	\$ 214.00
	104287-4	Fillerplate Subassembly, EXxW, 4 ft LD	\$ 226.00
4	100783	Cylinder Hex Nut	\$ 3.00
5	PP-5567	9V Battery	\$ 6.00
6	EA-561	Door Sign	\$ 3.00
7	FC3	Armored Cable, 3ft	\$ 38.00
	FC10	Armored Cable, 10ft	\$ 73.00
	FC3W	Weatherized Armored Cable, 3ft	\$ 61.00
	FC10W	Weatherized Armored Cable, 10ft	\$ 73.00

Your particular part or configuration may not be shown:
Contact Detex technical support at 800-729-3839 (option 2)



PARTS BREAKDOWN			List Price
Item	Order Part #	Description	
1	106900-11	Centercase/Pushpad SubAssembly, S&R V40, EE, 36"	\$ 750.00
	106900-13	Centercase/Pushpad SubAssembly, S&R V40, EE, 48"	\$ 781.00
	106900-14	Centercase/Pushpad SubAssembly, S&R V50/51, EE, 36"	\$ 995.00
	106900-15	Centercase/Pushpad SubAssembly, S&R V50/51, EE, 48"	\$ 1,026.00
2	101822	Endcap, Value Series	\$ 6.00
3	101810-1	Pushpad Wrap, 3-0	\$ 12.00
	101815-1	Pushpad Wrap, 4-0	\$ 15.00
4	ECL-395	Door Sign, 15 second delayed egress	\$ 13.00
	ECL-395-1	Door Sign, 30 second delayed egress	\$ 13.00
5	100783	Hex Nut (for cylinder installation)	\$ 3.00
6	PP-5567	9V Battery	\$ 6.00
7	105032-3	Value Series, Rim, EE fillerplate, 3 ft, 15/15	\$ 280.00
	105032-4	Value Series, Rim, EE fillerplate, 4 ft, 15/15	\$ 285.00
	105032-15	Value Series, Rim, EE fillerplate, 3 ft, 1/15 SA	\$ 268.00
	105032-16	Value Series, Rim, EE fillerplate, 4 ft, 1/15 SA	\$ 270.00
	105031-3	Value Series, SVR, EE fillerplate, 3 ft, 15/15	\$ 280.00
	105031-4	Value Series, SVR, EE fillerplate, 4 ft, 15/15	\$ 285.00
	105031-15	Value Series, SVR, EE fillerplate, 3 ft, 1/15 SA	\$ 268.00
	105031-16	Value Series, SVR, EE fillerplate, 4 ft, 1/15 SA	\$ 270.00
8	90-800	90-800 Power Supply	\$ 549.00
9	101844	Endcap Bracket	\$ 9.00

Your particular part or configuration may not be shown:
Contact Detex technical support at 800-729-3839 (option 2)