

# *Life Safety and Security Door Hardware*



**VALUE SERIES**<sup>®</sup>

## Value Series® Performance Specification

### General

---

All exit devices shall be Value Series® V40 series rim devices or V50/V51 series surface vertical rod devices as manufactured by Detex Corporation, New Braunfels, TX, USA. Each exit device shall be equipped and installed with a patented mounting plate and strike locator for an accurate installation. All devices shall be available with outside trim. All devices shall be non-handed and field sizeable.

### Code Compliance

---

The exit devices shall be listed by Underwriters Laboratories and bear the UL label for panic hardware in compliance with NFPA 80 and 101. Where required, all devices shall have a UL label for Fire Exit Devices listed for use on fire rated doors up to and including A label, three hours. UL labeled Fire Exit Devices shall be listed for door opening sizes up to 4'0" x 10'0" on single doors and 8'0" x 8'0" on door pairs with an F90KR Keyed Removable Mullion.

Where required, all rim devices shall have a Miami-Dade County, Florida label indicating hurricane listing.

All exit devices shall be certified to meet ANSI/BHMA requirements, and conform to ADA and California Title 19 requirements.

### Design

---

All exit devices shall be of impact resistant ABS and a structurally engineered extruded aluminum body. The end cap shall be designed with a tapered angle of 38 degrees to deflect damage away from the device. All exit devices shall be designed with base plate-mounted pushpads and internally ribbed aluminum extrusion rails to dissipate excessive force to the pushpad and prevent damage to the operating mechanisms.

All latch bolts shall be stainless steel material with a deadlocking feature for increased security.

Hex key dogging shall be a standard feature for all non-fire rated exit devices. Optional features include cylinder dogging or less dogging. All dogging will be accomplished with no more than a one-eighth turn of the hex key or cylinder key to minimize the risk of repetitive motion injuries.

The through-bolted modular design of all exit devices shall accommodate a variety of different trims and functions without altering the exit device. It shall not be necessary to remove the device from the door for keyed changes or standard maintenance.

### Options

---

Optional slide in filler plates shall be available for all exit devices to accommodate optional dogging types, alarm and other electrified features.

### Warranty

---

Detex Value Series® panic hardware, when properly installed, used and maintained, is warranted to be free of defects in material and workmanship. We will, for a period of ten (10) years from the date of purchase, repair or replace any part which, upon our examination, proves to be defective under normal use. Electrical components, when properly installed, used and maintained, are warranted to be free of defects in material and workmanship for a period of three (3) year. This warranty will be honored only upon presentation of proof that the product covered thereby was purchased directly from an authorized Detex distributor. We shall not be liable for any direct, incidental or consequential loss or damage arising out of the failure of this panic hardware to operate.

**Applications & Listings**

**Single Door**

Device Type	Application	Maximum Opening	UL & ULC Fire Rating					
			(A) 3 HOUR	(B) 1-1/2 HOUR	(C) 3/4 HOUR	(D) 1-1/2 HOUR	(E) 3/4 HOUR	20 MIN.
Rim Series FV40	Surface applied: Single point latching	4' x 10'	•	•	•	•	•	•
Surface Vertical Rod Series FV50	Surface applied: Two point latching	4' x 10'	•	•	•	•	•	•
Surface Vertical Rod (Top Rod Only) Series FV51	Surface applied: Single point latching	4' x 10'	•	•	•	•	•	•

**Pairs of Doors**

Device Type	Application	Maximum Opening	UL & ULC Fire Rating					
			(A) 3 HOUR	(B) 1-1/2 HOUR	(C) 3/4 HOUR	(D) 1-1/2 HOUR	(E) 3/4 HOUR	20 MIN.
Rim x Mullion FV40 x FV40 x F90KR	Two independent active doors with removable mullion	8' x 8'	•	•	•	•	•	•
Surface Vertical Rod FV50	Two independent active doors with two point locking	8' x 10'	•	•	•	•	•	•
Surface Vertical Rod (Top Rod Only) FV51	Two independent active doors with single point locking	8' x 10'	•	•	•	•	•	•

When used on wood or composite doors, certain limitations may apply. It is advised that the door manufacturer be consulted for its fire-rating capabilities and requirements.



ADA Compliant



Exceeds life safety and all building code requirements



UL listed panic and fire exit hardware. Fire rated for 3 hours



All Value Series® devices are certified ANSI/BHMA A-156.3-2001 Grade 1

Meets requirement of EC Standard BS EN 1125: 1997/A1:2001



Miami-Dade County, Florida } V40 Only  
NOA 10-0303.02 Exp. 04/07/15

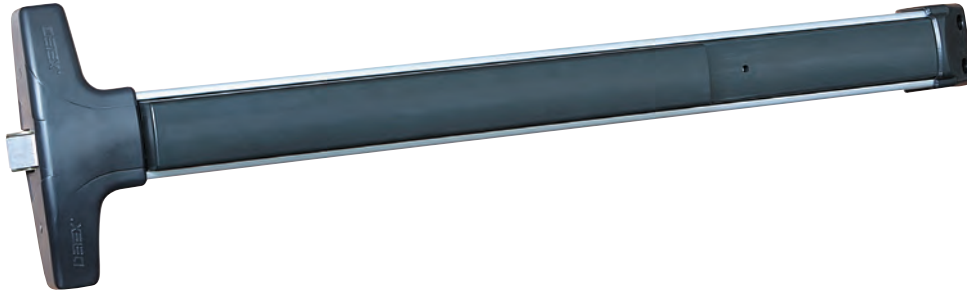
State of Florida Approval - FL9052



Some Models are UL Canada listed panic and fire exit hardware. Fire rated for 3 hours

Contact Factory





## **Exit Device Types**

**V40 Series** - Rim Exit Device

**V40xNS** - Narrow Stile Rim Exit Device

**V40xW Series** - Weatherized Rim Exit Device

**V50 Series** - Surface Vertical Rod Device

**V50xNS Series** - Narrow Stile Surface Vertical Rod Device

**V50xW Series** - Weatherized Surface Vertical Road Device

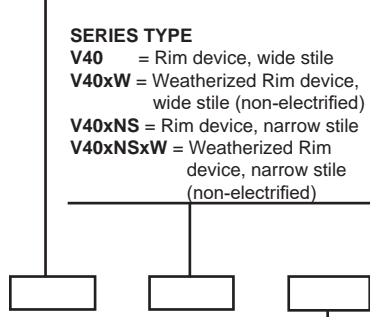
**V51 Series** - Surface Vertical Rod Device - Top Rod Only

**V51xW Series** - Weatherized Surface Vertical Rod - Top Rod Only

# VALUE SERIES® V40 SERIES (RIM)

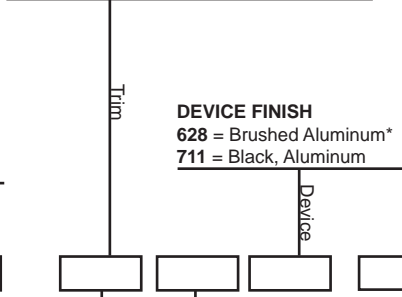
## RATING

For no rating, leave blank  
 "H" = Hurricane  
 "F" = Fire Rated (Less/No Dogging Only)  
 "FH" = Hurricane and Fire Rated



## OUTSIDE TRIM FINISH

626 = Brushed chrome (D/WS trims)  
 628 = Brushed Aluminum (P/PN trims)  
 689 = Aluminum (BN/A/AN trims)  
 693 = Black, powder coated (BN/A/AN trims)  
 711 = Black, Aluminum (P/PN trims)



## DOGGING FUNCTION

LD = Less/No dogging  
 HD = Hex key dogging  
 CD = Cylinder key dogging

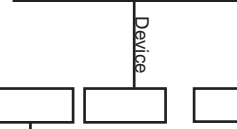
## STRIKES

98 = Semi-Mortise (std. on V40xNS)  
 99 = Surface (std. on V40)  
 94 = Double-Door (least secure)



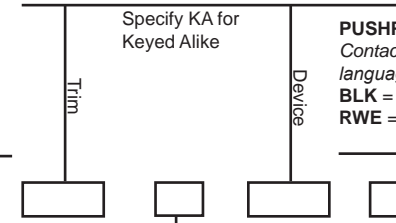
## DEVICE FINISH

628 = Brushed Aluminum\*  
 711 = Black, Aluminum



## PRE-INSTALLED CYLINDERS

If cylinders provided by others, leave blank  
 MC65 = Mortise Cylinder(s) 6pin/Keyed 5  
 IC7 = Mortise Cylinder(s) SFIC housing  
 IK7 = Mortise Cylinder(s) InstaKey housing  
 RC65 = Rim Cylinder(s) 6pin/Keyed 5  
 IC7R = Rim Cylinder(s) SFIC housing  
 IK7R = Rim Cylinder(s) InstaKey housing



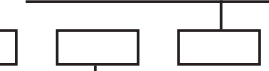
## POWER TRANSFERS

FC3 = 3' Flex Conduit  
 FC10 = 10' Flex Conduit  
 FC3W = 3' Weatherized Flex Conduit  
 FC10W = 10' Weatherized Flex Conduit  
 PT5 = Power Transfer  
 EH8 = Electric Hinge



## PUSHPAD COLOR

Contact factory for other languages and colors  
 BLK = Black  
 RWE = Red Pushpad / White English Lettering



## OUTSIDE TRIM FUNCTION & FINISH

01P = Exit only, blank plate  
 03P = Key retracts latch  
 01PN = Exit only, blank plate; narrow trim  
 03PN = Key retracts latch; narrow trim  
 03WS = Key retracts latch  
 02A = Dummy pull  
 03A = Key retracts pull; pull trim  
 02AN = Dummy pull; narrow trim  
 03AN = Key retracts pull - pull trim; narrow trim  
 02BN = Dummy lever; narrow trim  
 08BN = Active lever, key locks/unlocks lever; narrow trim (handed) (classroom)  
 09BN = Lever trim active by key, locked when key removed; narrow trim (handed) (storeroom)  
 14BN = Active lever, no key cylinder; narrow trim (handed) (passage)  
 02D2W = Dummy lever; wide trim (two posts for use with narrow head device)  
 08D2W = Active lever, key locks/unlocks lever; wide trim (two posts for use with narrow head device) (classroom)  
 09D2W = Lever trim active by key, locked when key removed; wide trim (two posts for use with narrow head device) (storeroom)  
 14D2W = Active lever, no key cylinder; wide trim (two posts for use with narrow head device) (passage)  
 EU2W = Electric lock/unlock; wide trim (two posts for use with narrow head device) - 24VDC & Fail Secure (FSE) Std. - Specify handing (not field reversible). For 12VDC specify VDC. For Fail Safe specify FSA  
 CBK = Cylinder Bracket Kit, 03 only, plate & pull handle by others required

## DOOR HANDING

RHR = Right hand reverse\*  
 LHR = Left hand reverse



## ELECTRIFIED FUNCTION

For no electrified function, leave blank

### Standard

Select Arming Time and Auto Rearm  
 EA = Hardwired Elec. Alarm (Formerly EH/EHxR)  
 EB = Elec. Alarm with Battery  
 ED = Elec. Dogging  
 EX = Request To Exit (Signal) Switch  
 EXV = Request To Exit (Current) Switch  
 EI = Elec. Integration (logic controller required)  
 ES = Elec. Switching (dead latch & OKC switches)

### Delayed Egress

Select Arming Delay, Delayed Egress Time and Silent Arming  
 EE = Delayed Egress

### Delayed Egress Only (EE)

Comes standard with 90-800 power supply  
 Single = (1) 90-800 w/o bat backup  
 Pair = (1) 90-800 w/o bat backup

## Weatherized Alarms

Select Arming Time and Auto Rearm  
 EB W = Elec. Battery Operated Exit Alarm Weatherized

## Latch Retraction

ER EX = Elec. Latch Retraction with Request To Exit Switch (silencer standard)  
 ER EX W = Elec. Latch Retraction Weatherized with Request To Exit Switch (silencer standard)

## Latch Retraction Only (ER & ER W)

(Sold Separately)  
 Single = 81-800  
 Pair = 82-800  
 2 Single = 83-800

## Weatherized Others

ER EX W = Elec. Latch Retraction Weatherized with Request To Exit Switch (silencer standard)  
 EX W = Request To Exit (Signal) Switch Weatherized  
 EXV W = Request To Exit (Current) Switch Weatherized  
 WDE = Weatherized Delayed Egress (see EasyKits)

## FASTENERS

For Standard machine, wood & self-drilling screws, leave blank  
 SN1 = Sex Nuts/Throughbolts (Hurricane rated hardware includes sex nuts for latch bolt)

Fire-rated trims must be Fail Safe (FSA)

All fire-rated devices Less Dogging/fail safe

NOTE: \* = default/standard

Also see online version at [detex.com/hto](http://detex.com/hto)

September 6, 2018



Detex products can expose you to chemicals including Chromium (hexavalent compounds) and Lead, which are known to the State of California to cause cancer and birth defects or other reproductive harm. For more information go to [www.detex.com/prop65](http://www.detex.com/prop65)

# VALUE SERIES®

## V40

### Rim Exit Device

The V40 Series **rim exit device** is secure and durable **panic and fire exit hardware** at an economical price. It is designed for use on all types of single and double doors with mullions. The patented mounting plate and strike locator system ensures the easiest and most accurate installation of panic hardware available.



**V40**  
(628 Finish)



**V40**  
(711 Finish)

**ANSI 156.3 - 2008  
Grade 1  
Type 1**

Standard V40 Rim Device accommodates wide stile doors, 4" or greater stile, and flush doors. For Narrow Stile doors, 2" to 2 1/2" stiles, specify V40xNS model which provides a 2" longer device and a lower profile strike.

### Benefits

- Priced to be the best value for durable and attractive loss prevention panic hardware
- Patented mounting plate and strike locator replaces paper templates
- Minimal door prep saves time and money
- Fast and easy installation saves time and money
- Fits almost any door in any décor
- Outside trims are easily changed or rekeyed without removing device from door
- Angled end cap deflects damage away from device

### Features

- Covers a 161 door prep
- Stainless steel, 3/4" deadlocking Pullman-type latch bolt
- Non-handed
- Field sizeable
- 1/8 turn hex key dogging
- Heavy-duty ribbed aluminum rail extrusion
- High impact ABS and anodized surfaces
- Withstands over 1400 pounds of static pull force for greater security
- Modular design accepts a variety of outside trims and functions
- Standard and narrow stile pull trims available

### Mechanical Options

- CD - Cylinder Dogging
- HD - Hex Dogging (Std.)
- LD - Less Dogging
- 36 - Fits 36" Door Width (Std.)
- 48 - Fits 48" Door Width
- For Narrow Stile that fits 2" Narrow stile glass door see V40xNS
- F - 3-Hour Fire Rated
- H - Hurricane Rated
- 99 - Surface Strike (Std.)
- 98 - Semi Mortise Strike
- Available with 628 Base Rail Extrusion (Std.)
- Available with 711 Base Rail Extrusion
- FC3 - Flexible 3' Conduit Kit, mounts to device end cap
- FC10 - Flexible 10' Conduit Kit, mounts to device end cap
- PT5 - Concealed mortise mount power transfer
- EH8 - Five-knuckle energy transfer hinge - 8 wires

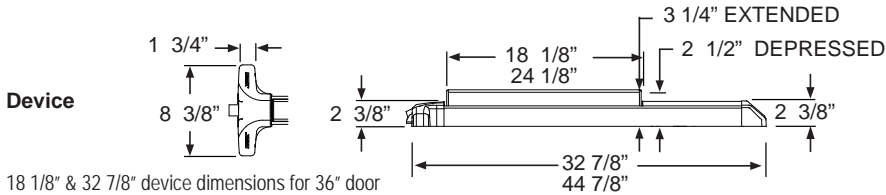
For full list of available mechanical options, see V40 Series How To Order page



## Electrical Options

- Exit Alarm (EA)
- Exit Alarm with 9 volt Battery (EB)
- Electric Dogging (ED)
- Delayed Egress (EE)
- Electric Integration (EI)
- Electric Latch Retraction with Request to Exit Switch (ER EX)
- Electric Switching (ES)
- Request to Exit (EX)

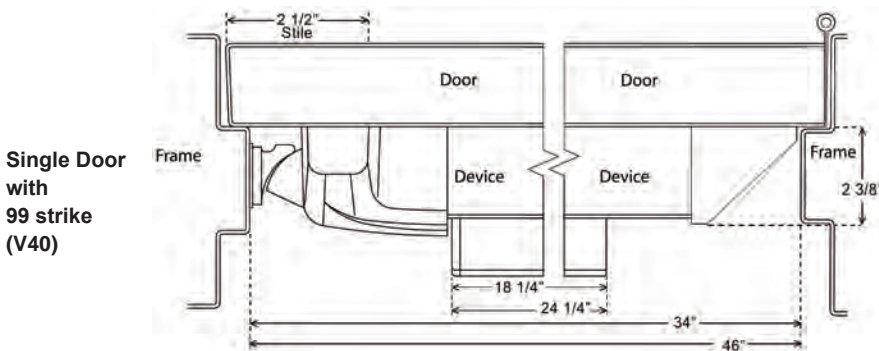
## Dimensions



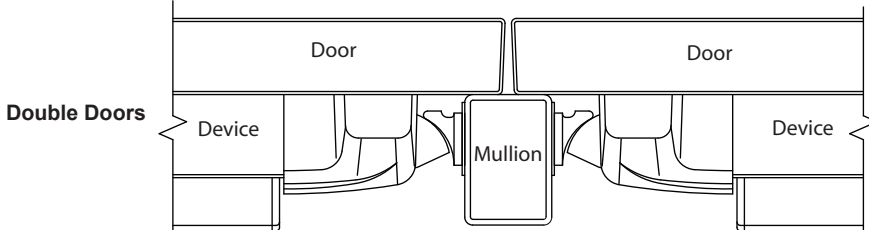
18 1/8" & 32 7/8" device dimensions for 36" door

24 1/8" & 44 7/8" device dimensions for 48" door

Add 2" for NS



Single Door with 99 strike (V40)



Double Doors

## Accessories

- SN1 - Sex Nut Fasteners
- GB2 - Glass Bead Kit
- NSK- Narrow Kit - for 2" narrow stile glass door applications that must be added in the field
- Outside Trim (see Value Series Trim Options)
- Optional Sex Nuts or Security Torx Screws available

## Technical Information

- Door Types - Wood, Hollow Metal, Fiberglass or Aluminum
- Door Thickness - Fits standard 1-3/4" - 2-1/4"
- Single Door Stile - Fits 3-1/2" minimum stile doors with 99 surface strike (Std.)
- Pairs of Doors Stile - Fits 4" minimum stile doors with 99 surface strike
- Door Stile - Fits 2" narrow stile doors - specify NS
- Machine and Self-Drilling Screws (Std.)

## Detex Limited Warranty

10 Year Mechanical/3 Year Electrical Limited Manufacturer's Warranty

## Listings and Approvals



UL Listed Panic Hardware

UL Listed Fire Exit Hardware for 3 hours, maximum 4'x10' single doors and pairs of 4'x8' with F90KR keyed removable mullion



Meets ADA requirements



ANSI/BHMA certified A156.3



ULC 97, Standard 7-2 and UL10B/UL10C for positive pressure



Meets NFPA 80 & 101 for Life Safety



State of Florida Approval

Texas Department of Insurance



California State Fire Marshall

Where Trust is Built™  
**DETEx**®  
Life Safety, Security and Security Assurance

Detex Corporation  
302 Detex Drive  
New Braunfels, Texas 78130-3045 USA  
PH. (830) 629-2900  
(800) 729-3839  
FAX (800) 653-3839  
<http://www.detex.com>  
USA Sales:  
[marketing@detex.com](mailto:marketing@detex.com)  
International Sales:  
[export@detex.com](mailto:export@detex.com)

For detailed windstorm and fire listings, visit [www.detex.com/PROVEN](http://www.detex.com/PROVEN)

⚠ Cancer & Reproductive Harm - [www.detex.com/prop65](http://www.detex.com/prop65)

# VALUE SERIES®

## V40xNS SERIES

### Narrow Stile Rim Exit Device

The V40xNS Series narrow stile **rim exit device** is secure and durable **panic and fire exit hardware** at an economical price. It is designed for use on narrow stile single and double doors with mullions. The patented mounting plate and strike locator system ensures the easiest and most accurate installation of panic hardware available. Extended length enables V40xNS to span stiles on 2" narrow stile doors.



**V40xNS**  
(628 Finish, Standard)



**V40xNSx711**  
(711 Finish)

ANSI 156.3 - 2008  
Grade 1  
Type 4

V40xNS Rim Exit Device accommodates narrow stile doors, 2" to 3-1/2" stile width.

#### Benefits

- Priced to be the best value for durable and attractive panic hardware
- Patented mounting plate and strike locator replaces paper templates
- Minimal door prep saves time and money
- Fast and easy installation saves time and money
- Angled end cap deflects damage away from device
- Outside trims are easily changed or rekeyed without removing device from door
- Fits almost any door in any décor

#### Features

- Covers a 161 door prep
- Stainless steel, 3/4" deadlocking Pullman-type latch bolt
- Non-handed
- Field sizeable
- 1/8 turn hex key dogging
- Ribbed aluminum rail extrusion
- High impact ABS and anodized surfaces
- Withstands over 1400 pounds of static pull force
- Modular design accepts a variety of outside trims and functions
- Standard and narrow stile pull trims available

#### Mechanical Options

- CD - Cylinder Dogging
- HD - Hex Dogging (Std.)
- LD - Less Dogging
- 36 - Fits 36" Door Width (Std.)
- 48 - Fits 48" Door Width
- F - 3-Hour Fire Rated
- H - Hurricane Rated
- 98 - Semi Mortise Strike (Std.)
- Available with 628 Base Rail Extrusion (Std.)
- Available with 711 Base Rail Extrusion
- FC3 - Flexible 3' Conduit Kit, mounts to device end cap
- FC10 - Flexible 10' Conduit Kit, mounts to device end cap
- PT5 - Concealed mortise mount power transfer
- EH8 - Five-knuckle energy transfer hinge - 8 wires

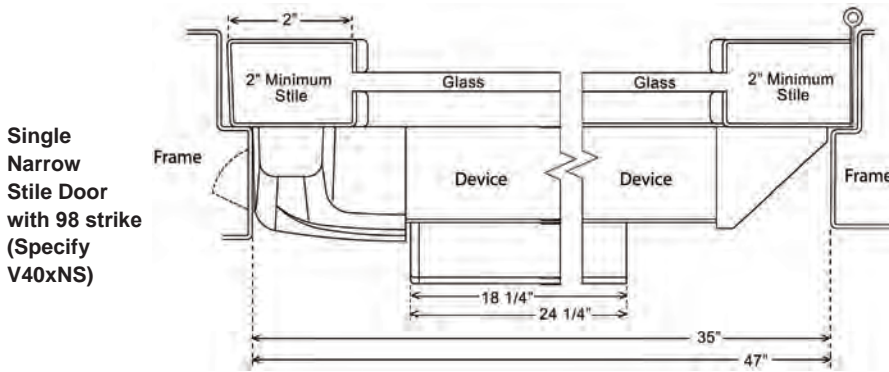
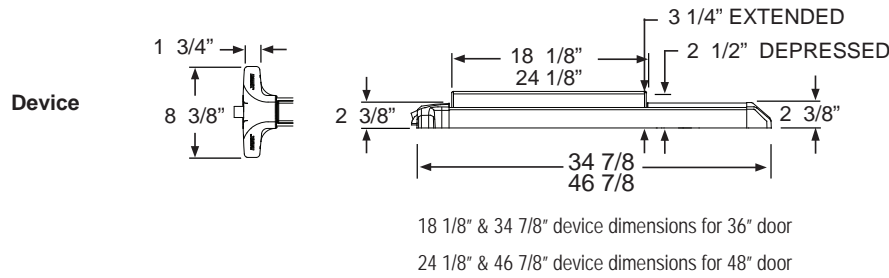
For full list of available mechanical options, see V40 Series How To Order page

#### Electrical Options

- Exit Alarm (EA)
- Exit Alarm with 9 volt Battery (EB)
- Electric Dogging (ED)
- Delayed Egress (EE)
- Electric Integration (EI)
- Electric Latch Retraction with Request to Exit Switch (ER EX)
- Electric Switching (ES)
- Request to Exit (EX)



## Dimensions



For Pairs of Doors with Stiles 2 1/2" and wider, use V40xNS with 90KR Mullion.  
For Pairs of Doors with Stiles 2" wide, use store front mullion by others.

## Listings and Approvals



UL Listed Panic Hardware



UL 10B/UL 10C for positive pressure



UL Listed Fire Exit Hardware for 3 hours, maximum 4'x10' single doors and pairs of 4'x8' with F90KR keyed removable mullion



Meets NFPA 80 & 101 for Life Safety



Meets ADA requirements



State of Florida Approval

Texas Department of Insurance



ANSI/BHMA certified A156.3



California State Fire Marshall

For detailed windstorm and fire listings, visit [www.detex.com/PROVEN](http://www.detex.com/PROVEN)

## Accessories

- SN1 - Sex Nut Fasteners
- GB2 - Glass Bead Kit
- Outside Trim (see Value Series Trim Options)
- Optional Sex Nuts or Security Torx Screws available

## Technical Information

- Door Types - Wood, Hollow Metal, Fiberglass or Aluminum
- Door Thickness - Fits standard 1-3/4" - 2-1/4"
- Door Stile - Fits 2" narrow stile doors when specifying NS (includes lower profile strike)
- Machine and Self-Drilling Screws (Std.)

## Detex Limited Warranty

10 Year Mechanical/3 Year Electrical Limited Manufacturer's Warranty

Where Trust is Built™

**DETEx**<sup>®</sup>  
Life Safety, Security and Security Assurance

Detex Corporation  
302 Detex Drive  
New Braunfels, Texas 78130-3045 USA  
PH. (830) 629-2900  
(800) 729-3839  
FAX (800) 653-3839  
<http://www.detex.com>  
USA Sales:  
[marketing@detex.com](mailto:marketing@detex.com)  
International Sales:  
[export@detex.com](mailto:export@detex.com)

Cancer & Reproductive Harm - [www.detex.com/prop65](http://www.detex.com/prop65)

# VALUE SERIES®

## V40xW

### Weatherized Rim Exit Device

The V40xW Series **rim exit device** is secure and durable **panic and fire exit hardware** at an economical price. It is designed for use on all types of single and double doors and gates with mullions that are or may be exposed to the weather. The patented mounting plate and strike locator system ensures the easiest and most accurate installation of panic hardware available. In addition to listing as UL panic and fire exit hardware device, this device conforms to UL1034-34 Temperature Section 34, UL1034-54 Dust Section 54, MIL-STD 810F, Method 506.4 (driving rain test); MIL-STD 810F, Method 509.4 (salt fog test) and UBC standard 7-2 (positive pressure).



#### Benefits

- Priced to be the best value for durable and attractive loss prevention panic hardware
- Minimal door prep saves time and money
- Outside trims are easily changed or rekeyed without removing device from door
- Angled end cap deflects damage away from device
- Patented mounting plate and strike locator replaces paper templates
- Fast and easy installation saves time and money
- Fits almost any door in any décor

#### Features

- Covers a 161 door prep
- 1/8 turn hex key dogging
- Withstands over 1400 pounds of static pull force for greater security
- Stainless steel, 3/4" deadlocking Pullman-type latch bolt
- Ribbed aluminum rail extrusion
- Modular design accepts a variety of outside trims and functions
- Non-handed
- High impact ABS and anodized surfaces
- Standard and narrow stile pull trims available
- Field sizeable

#### Mechanical Options

- CD - Cylinder Dogging
  - F - 3-Hour Fire Rated
  - FC3W - Weatherized 3' Flex Conduit Kit, mounts to device end cap
  - HD - Hex Dogging (Std.)
  - H - Hurricane Rated
  - FC10W - Weatherized 10' Flex Conduit Kit, mounts to device end cap
  - LD - Less Dogging
  - NS - Narrow stile door option
  - 36 - Fits 36" Door Width (Std.)
  - Available with 628 Base Rail Extrusion (Std.)
  - 48 - Fits 48" Door Width
  - Available with 711 Base Rail Extrusion
  - 99 - Surface Strike (Std.)
  - 98 - Semi Mortise Strike
- For full list of available mechanical options, see V40 Series How To Order page

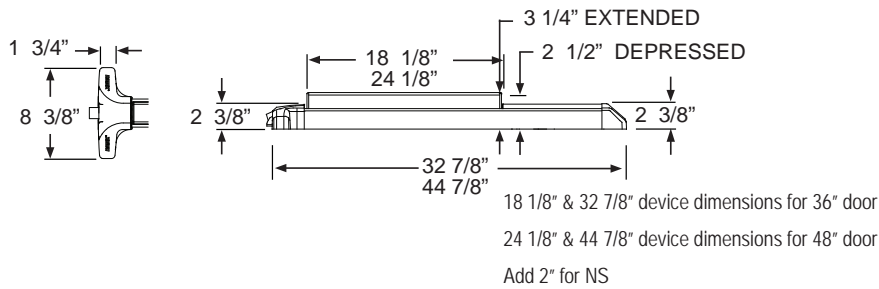
#### Electrical Options

- Weatherized Exit Alarm (EB W)
- Weatherized Request to Exit High Voltage (EXV W)

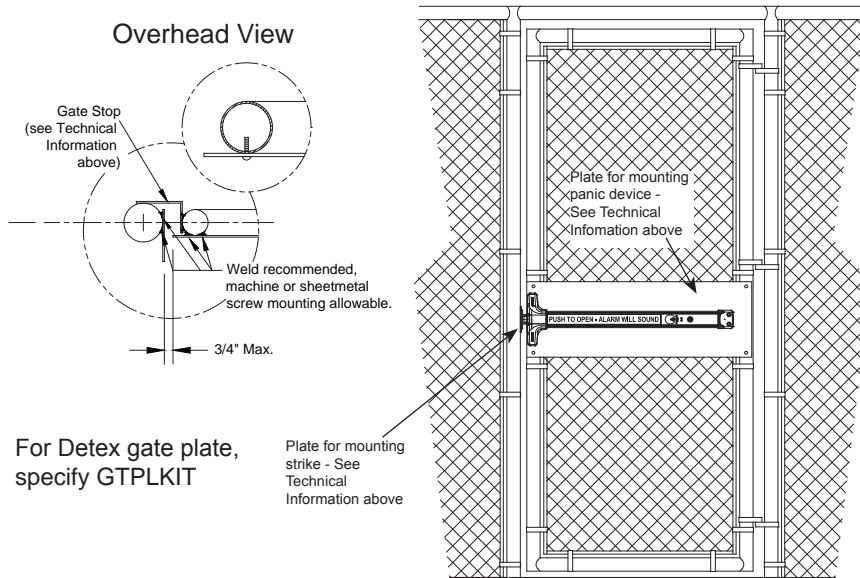
- Weatherized Request to Exit (EX W)

Refer to Electrified Options section for more information

## Dimensions



## Single Gate Riser



For Detex gate plate, specify GTPLKIT

## Listings and Approvals



UL Listed Panic Hardware



IBC 97, Standard 7-2 and UL10B/UL10C for positive pressure



UL1034-34 Temperature Section 34 [Temperature Range -31°F (-35° C) to 150° F (+66° C)]



State of Florida Approval

UL1034-54 Dust Section 54

Texas Department of Insurance



Meets ADA requirements

MIL-STD 810F (G), Method 509.4 (Salt Fog Test)



ANSI/BHMA certified A156.3

MIL-STD 810F (G), Method 506.4 (Driving Rain), Procedure 1

For detailed windstorm listings, visit [www.detex.com/PROVEN](http://www.detex.com/PROVEN)

Cancer & Reproductive Harm - [www.detex.com/prop65](http://www.detex.com/prop65)

September 11, 2018

## Accessories

- SN1 - Sex Nut Fasteners
- GB2 - Glass Bead Kit
- NSK- Narrow Kit - for 2" narrow stile glass door applications that must be added in the field
- GTPLKIT - Adjustable Gate Plate
- Outside Trim (see Value Series Trim Options)
- Optional Sex Nuts or Security Torx Screws available

## Technical Information

- Door Types - Wood, Hollow Metal, Fiberglass or Aluminum
- Door Thickness - Fits standard 1-3/4" - 2-1/4"
- Door Stile - Fits 2-1/2" stile doors with 99 surface strike (Std.)
- Door Stile - Fits 2" narrow stile doors - specify NS
- Machine and Self-Drilling Screws (Std.)
- **Recommended Plate Size**  
Gate - 1/8" thick plate, galvanized, or painted steel or 1/4" thick aluminum plate, minimum Height - 10"

Strike - 1/8" thick plated, galvanized, painted steel plate, angle iron, or 1/4" thick aluminum plate, minimum Height - 5"

Stop - 1/8" thick plated, galvanized, or painted angle iron or 1/4" thick aluminum angle plate, minimum Height - 2"

## Detex Limited Warranty

10 Year Mechanical/3 Year Electrical Limited Manufacturer's Warranty

*Where Trust is Built™*  
**DETEX®**  
*Life Safety, Security and Security Assurance*

Detex Corporation  
302 Detex Drive  
New Braunfels, Texas 78130-3045 USA  
PH. (830) 629-2900  
(800) 729-3839  
FAX (800) 653-3839  
<http://www.detex.com>  
USA Sales:  
[marketing@detex.com](mailto:marketing@detex.com)  
International Sales:  
[export@detex.com](mailto:export@detex.com)

# VALUE SERIES® V50 SERIES (SURFACE VERTICAL ROD)

## RATING

For no rating, leave blank

"H" = Hurricane (V50 & V50xW only)

"F" = Fire Rated (Less/No Dogging Only)

"FH" = Hurricane and Fire Rated

## SERIES TYPE

**V50** = SVR, wide stile

**V50xW** = Weatherized SVR, wide stile (non-electrified)

**V50xNS** = SVR, narrow stile

**V50xNSxW** = Weatherized SVR, narrow stile (non-electrified)

**V51** = SVR, top rod only, wide stile

**V51xW** = Weatherized SVR, top rod only, wide stile (non-electrified)

**V51xNS** = SVR, top rod only, narrow stile

**V51xNSxW** = Weatherized SVR, top rod only, narrow stile (non-electrified)

## OUTSIDE TRIM FINISH

**626** = Brushed chrome (D/WS trims)

**628** = Brushed Aluminum (P/PN trims)

**689** = Aluminum (BN/A/AN trims)

**693** = Black, powder coated (BN/A/AN trims)

**711** = Black, Aluminum (P/PN trims)

## DOGGING FUNCTION

**LD** = Less/No dogging

**HD** = Hex key dogging

**CD** = Cylinder key dogging

## DEVICE FINISH

**628** = Brushed Aluminum\*

**711** = Black, Aluminum

## STRIKES

**96** = Surface non-roller top strike and non-dust proof bottom strike\*

**96B** = Substitute 96 bottom strike for Dust Proof strike

## PRE-INSTALLED CYLINDERS

If cylinders provided by others, leave blank

**MC65** = Mortise Cylinder(s) 6pin/Keyed 5

**IC7** = Mortise Cylinder(s) IC housing

**IK7** = Mortise Cylinder(s) InstaKey housing

**RC65** = Rim Cylinder(s) 6pin/Keyed 5

**IC7R** = Rim Cylinder(s) IC housing

**IK7R** = Rim Cylinder(s) InstaKey housing

Specify KA for Keyed Alike

Trim

Device

## PUSHPAD COLOR

Contact factory for other languages and colors

**BLK** = Black

**RWE** = Red Pushpad / White English Lettering

## POWER TRANSFERS

**FC3** = 3' Flex Conduit

**FC10** = 10' Flex Conduit

**FC3W** = 3' Weatherized Flex Conduit

**FC10W** = 10' Weatherized Flex Conduit

**PT5** = Power Transfer

**EH8** = Electric Hinge

## OUTSIDE TRIM STYLE & FINISH

**01P** = Exit only, blank plate

**03P** = Key retracts latch

**01PN** = Exit only, blank plate; narrow trim

**03PN** = Key retracts latch; narrow trim

**03WS** = Key retracts latch

**02A** = Dummy pull

**03A** = Key retracts pull; pull trim

**02AN** = Dummy pull; narrow trim

**03AN** = Key retracts pull - pull trim; narrow trim

**02BN** = Dummy lever; narrow trim

**08BN** = Active lever, key locks/unlocks lever; narrow trim (handed) (classroom)

**09BN** = Lever trim active by key, locked when key removed; narrow trim (handed) (storeroom)

**14BN** = Active lever, no key cylinder; narrow trim (handed) (passage)

**02D2W** = Dummy lever; wide trim (two posts for use with narrow head device)

**08D2W** = Active lever, key locks/unlocks lever; wide trim (two posts for use with narrow head device) (classroom)

**09D2W** = Lever trim active by key, locked when key removed; wide trim (two posts for use with narrow head device) (storeroom)

**14D2W** = Active lever, no key cylinder; wide trim (two posts for use with narrow head device) (passage)

**EU2W** = Electric lock/unlock; wide trim (two posts for use with narrow head device) (24VDC & Fail Secure [FSE] Std.) - Specify handing (not field reversible). For 12VDC specify VDC. For Fail Safe specify FSA

**CBK** = Cylinder Bracket Kit, 03 only, plate & pull handle by others required

## DOOR HANDING

**RHR** = Right hand reverse\*

**LHR** = Left hand reverse

## KEYSTOP

**KS** = Key Stop (Available with EA, EE, EEExR, EI functions)

## DOOR WIDTH

**36"** wide door (3')\*

**48"** wide door (4')

## DOOR HEIGHT/SVR HEIGHT

**84"** high door

**96"** high door

**120"** high door

## FASTENERS

For Standard machine, wood & self-drilling screws, leave blank

**SN1** = Sex Nuts/Throughbolts (Hurricane rated hardware includes sex nuts for top latch and bottom bolt)

## ELECTRIFIED FUNCTION

For no electrified function, leave blank

### Standard

Select Arming Time and Auto Rearm

**EA** = Hardwired Elec. Alarm (Formerly EH/EHxR)

**EB** = Elec. Alarm with Battery

**ED** = Elec. Dogging

**EX** = Request To Exit (Signal) Switch

**EXV** = Request To Exit (Current) Switch

### Delayed Egress

Select Arming Delay, Delayed Egress Time and Silent Arming

**EE** = Delayed Egress

### Delayed Egress Only (EE)

Comes standard with 90-800 power supply

**Single** = (1) 90-800 w/o bat backup

**Pair** = (1) 90-800 w/o bat backup

## Weatherized Alarms

Select Arming Time and Auto Rearm

**EB W** = Elec. Battery Operated Exit Alarm Weatherized

## Latch Retraction

**ER EX** = Elec. Latch Retraction with Request To Exit Switch (silencer standard)

**ER EX W** = Elec. Latch Retraction Weatherized with Request To Exit Switch (silencer standard)

## Latch Retraction Only (ER)

(Sold Separately)

**Single** = 81-800

**Pair** = 82-800

**2 Single** = 83-800

Fire-rated trims must be Fail Safe (FSA)

All fire-rated devices Less Dogging/fail safe

NOTE: \* = default/standard

Also see online version at [detex.com/hto](http://detex.com/hto)

September 6, 2018



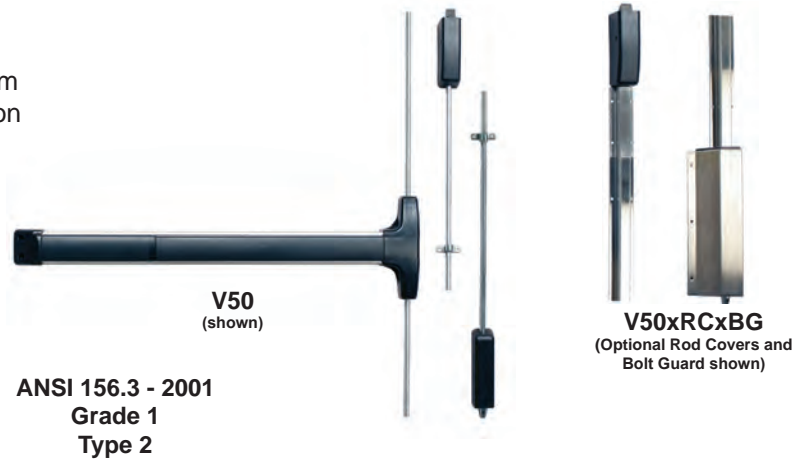
Detex products can expose you to chemicals including Chromium (hexavalent compounds) and Lead, which are known to the State of California to cause cancer and birth defects or other reproductive harm. For more information go to [www.detex.com/prop65](http://www.detex.com/prop65)

# VALUE SERIES®

## V50/V51 SERIES

### Surface Vertical Rod Device

The **V50 Series, surface vertical rod exit device** and **V51 Series, top rod exit device** are heavy-duty **panic** and **fire exit hardware** for use on all types of double doors without a mullion. The patented mounting plate and strike locator system ensures the easiest and most accurate installation in an economical panic device.



#### Benefits

- Priced to be the best value for durable, attractive panic hardware
- Patented mounting plate and strike locator replaces paper templates
- Minimal door prep saves time and money
- Fast and easy installation saves time and money
- Angled end cap deflects damage away from device
- Fits any door in almost any décor
- Outside trims are easily changed or rekeyed without removing device from door

#### Features

- Stainless steel 3/4" deadlocking top latch bolt
- Bottom drop bolt, 5/8" dia. x 5-5/8" long secures into strike plate
- Handed, field reversible
- Field sizable
- 1/8 turn dogging
- Ribbed aluminum rail extrusion
- Impact resistant ABS and anodized surfaces
- Modular design accepts a variety of outside trims and functions
- Standard and narrow stile pull trims available

#### Mechanical Options

- H - Hurricane Rated
  - F - 3-Hour Fire Rated
  - HD - Hex Dogging (Std.)
  - CD - Cylinder Dogging
  - LD - Less Dogging
  - 36 - Fits 36" Door Width (Std.)
  - 48 - Fits 48" Door Width
  - For Narrow Stile that fits 2" Narrow stile glass door see V50xNS/ V51xNS
  - 84 - Fits 7' Door Height (Std.)
  - 96 - Fits 8' Door Height
  - 120 - Fits 10' Door Height
  - RC - Rod Covers (630 Brushed Stainless)
  - BG - Bottom bolt and 12" ADA ramped cover (630 Brushed Stainless)
  - 96 Surface top stike top (Std.)
  - 96B Bottom dust proof strike
  - Available with 628 base rail extrusion
  - Available with 711 base rail extrusion
  - FC3 - Flexible 3' Conduit Kit, mounts to device end cap
  - FC10 - Flexible 10' Conduit Kit, mounts to device end cap
  - PT5 - Concealed mortise mount power transfer
  - EH8 - Five-knuckle energy transfer hinge - 8 wires
- For full list of available mechanical options, see V50 Series How To Order page



## Electrical Options

• Exit Alarm (EA)

• Delayed Egress (EE)

Refer to Electrified Options section for more information

• Electric Battery Alarm (EB)

## Accessories

• Outside Trim (see Value Series Trim Options)

• SN1 - Sex Nut Kit (2 per package)

• GB# - Glass Bead Kits

• NSK - Narrow Kit for 2" narrow stile glass door applications

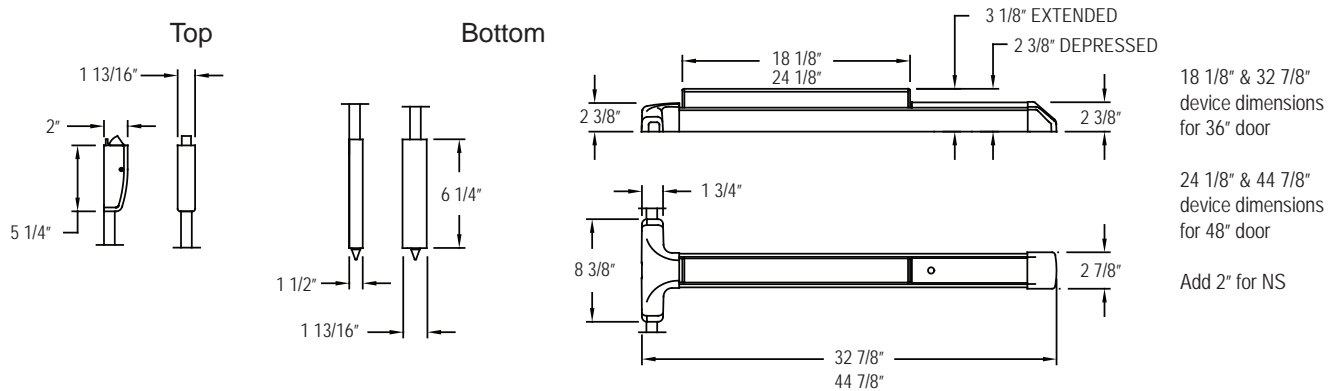
## Technical Information

• Door Stile - Fits 3-1/2" stile doors (Std.)

• Door Stile - Fits 2" narrow stile doors - specify NS

• Fasteners - Machine and Self-Drilling Screws standard

## Dimensions



## Listings and Approvals

## Detex Limited Warranty

10 Year Mechanical/3 year Electrical Limited Manufacturer's Warranty



UL Listed Panic Hardware



UBC 97, Standard 7-2 and UL10B/UL10C for positive pressure



UL Listed Fire Exit Hardware for 3 hours, maximum 4'x10' single doors and 8'x10' pairs of doors



Meets NFPA 80 & 101 for Life Safety



Meets ADA requirements



State of Florida Approval



ANSI/BHMA certified A156.3



California State Fire Marshall

For detailed windstorm and fire listings, visit [www.detex.com/PROVEN](http://www.detex.com/PROVEN)

**DETEX**<sup>®</sup>  
Where Trust is Built™  
Life Safety, Security and Security Assurance

Detex Corporation  
302 Detex Drive  
New Braunfels, Texas 78130-3045 USA  
PH. (830) 629-2900  
(800) 729-3839  
FAX (800) 653-3839  
<http://www.detex.com>  
USA Sales:  
[marketing@detex.com](mailto:marketing@detex.com)  
International Sales:  
[export@detex.com](mailto:export@detex.com)



Cancer & Reproductive Harm - [www.detex.com/prop65](http://www.detex.com/prop65)

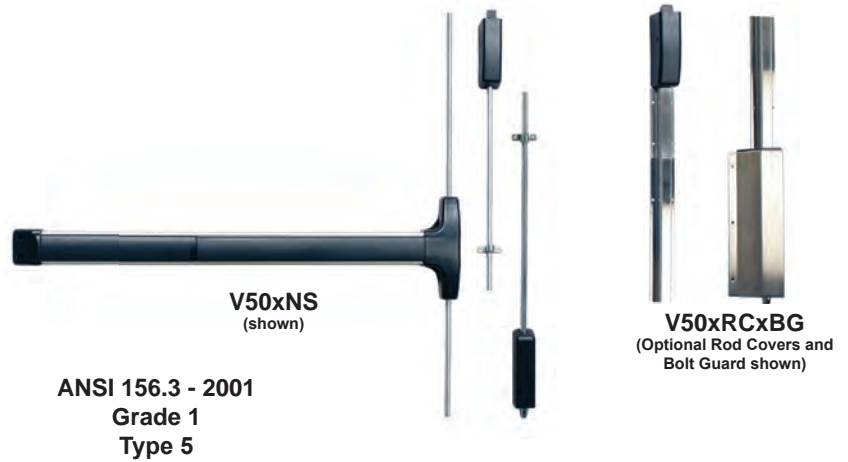


# VALUE SERIES®

## V50xNS / V51xNS

### Narrow Stile Surface Vertical Rod Device

The **V50xNS Series, narrow stile surface vertical rod exit device** and **V51xNS Series, narrow stile top rod exit device** are economical **panic and fire exit hardware** for use on narrow stile double doors without a mullion. The patented mounting plate and strike locator system ensures the easiest and most accurate installation in an economical panic device.



#### Benefits

- Priced to be the best value for durable, attractive panic hardware
- Fast and easy installation saves time and money
- Minimal door prep saves time and money
- Fits any door in almost any décor
- Patented mounting plate and strike locator replaces paper templates
- Outside trims are easily changed or rekeyed without removing device from door
- Angled end cap deflects damage away from device

#### Features

- Stainless steel 3/4" deadlocking top latch bolt
- Ribbed aluminum rail extrusion
- Impact resistant ABS and anodized surfaces
- Handed, field reversible
- Field sizable
- 1/8 turn dogging
- Standard and narrow stile pull trims available
- Modular design accepts a variety of outside trims and functions
- Bottom drop bolt, 5/8" dia. x 5-5/8" long secures into strike plate

#### Mechanical Options

- V51 - Top Rod Only
- F - 3-Hour Fire Rated
- HD - Hex Dogging (Std.)
- CD - Cylinder Dogging
- LD - Less Dogging
- 36 - Fits 36" Door Width (Std.)
- 48 - Fits 48" Door Width
- 84 - Fits 7' Door Height (Std.)
- 96 - Fits 8' Door Height
- 120 - Fits 10' Door Height
- RC - Rod Covers (630 Brushed Stainless)
- BG - Bottom bolt and 12" ADA ramped cover (630 Brushed Stainless)
- 96 Surface top stike top (Std.)
- 96B Bottom dust proof strike
- Available with 628 base rail extrusion
- Available with 711 base rail extrusion
- FC3 - Flexible 3' Conduit Kit, mounts to device end cap
- FC10 - Flexible 10' Conduit Kit, mounts to device end cap
- PT5 - Concealed mortise mount power transfer
- EH8 - Five-knuckle energy transfer hinge - 8 wires

For full list of available mechanical options, see V50 Series How To Order page

#### Electrical Options

- Exit Alarm (EA)
  - Electric Battery Alarm (EB)
  - Electric Dogging (ED)
  - Delayed Egress (EE)
  - Electric Latch Retraction with Request to Exit Switch (ER EX)
- Refer to Electrified Options section for more information

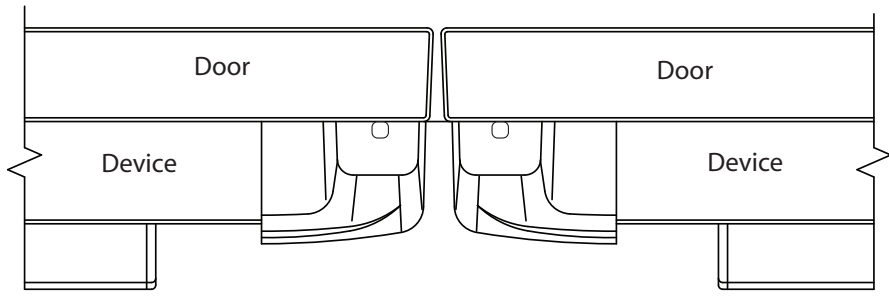
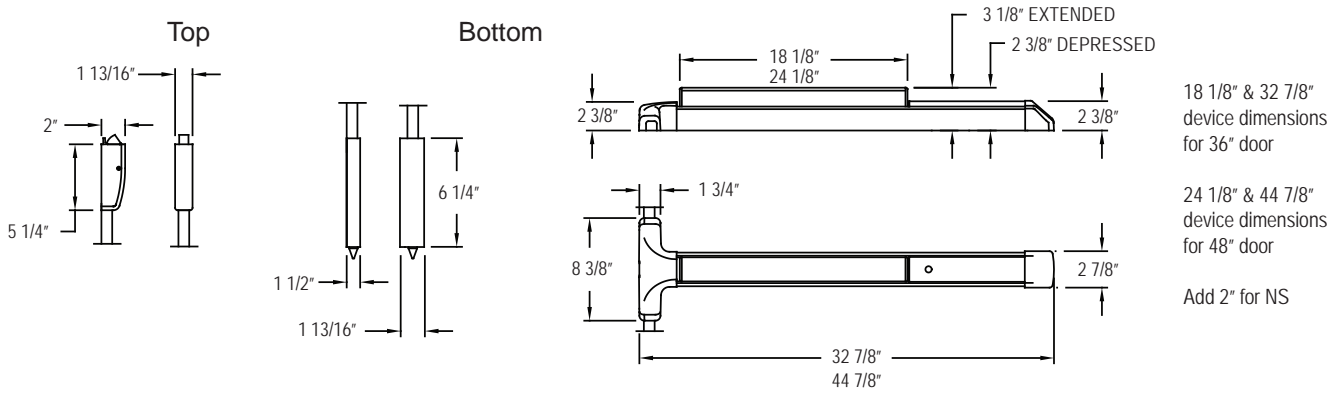
**Accessories**

- Outside Trim (see Value Series Trim Options)
- SN1 - Sex Nut Kit (2 per package)
- GB# - Glass Bead Kits

**Technical Information**

- Door Stile - Fits 3-1/2" stile doors (Std.)
- Door Stile - Fits 2" narrow stile doors - specify NS
- Fasteners - Machine and Self-Drilling Screws standard

**Dimensions**



**Detex Limited Warranty**  
 10 Year Mechanical/3 year Electrical  
 Limited Manufacturer's Warranty

**Listings and Approvals**



UL Listed Panic Hardware



UBC 97, Standard 7-2 and UL10B/UL10C for positive pressure



UL Listed Fire Exit Hardware for 3 hours, maximum 4'x10' single doors and 8'x10' pairs of doors



Meets NFPA 80 & 101 for Life Safety



Meets ADA requirements



State of Florida Approval



ANSI/BHMA certified A156.3

Texas Department of Insurance



California State Fire Marshal



For detailed windstorm and fire listings, visit [www.detex.com/PROVEN](http://www.detex.com/PROVEN)

Detex Corporation  
 302 Detex Drive  
 New Braunfels, Texas 78130-3045 USA  
 PH. (830) 629-2900  
 (800) 729-3839  
 FAX (800) 653-3839  
<http://www.detex.com>  
 USA Sales:  
[marketing@detex.com](mailto:marketing@detex.com)  
 International Sales:  
[export@detex.com](mailto:export@detex.com)

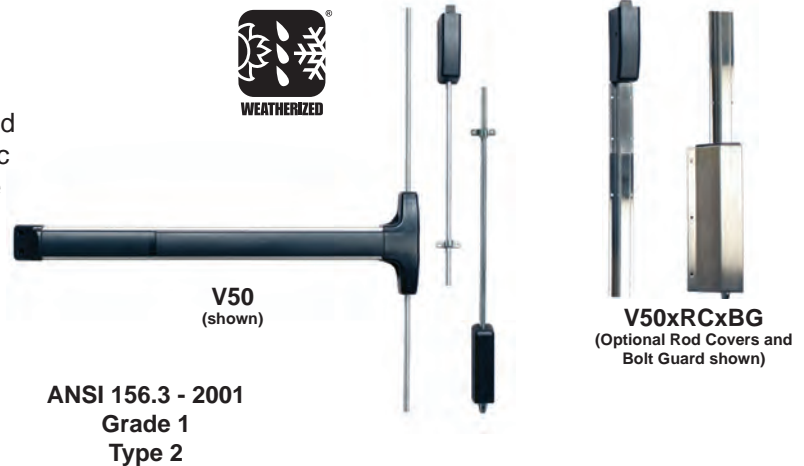
Cancer & Reproductive Harm - [www.detex.com/prop65](http://www.detex.com/prop65)

# VALUE SERIES®

## V50xW/V51xW SERIES

### Weatherized Surface Vertical Rod Device

The **Weatherized V50 Series, surface vertical rod exit device** and **V51 Series, top rod exit device** are heavy-duty **panic and fire exit hardware** for use on all types of double doors without a mullion. The patented mounting plate and strike locator system ensures the easiest and most accurate installation in an economical panic device. In addition to listing as UL panic and fire exit hardware device, this device conforms to UL1034-34 Temperature Section 34, UL1034-54 Dust Section 54, MIL-STD 810F, Method 506.4 (driving rain test); MIL-STD 810F, Method 509.4 (salt fog test) and UBC standard 7-2 (positive pressure).



#### Benefits

- Priced to be the best value for durable, attractive panic hardware
- Patented mounting plate and strike locator replaces paper templates
- Minimal door prep saves time and money
- Angled end cap deflects damage away from device
- Fits any door in almost any décor
- Outside trims are easily changed or rekeyed without removing device from door
- Fast and easy installation saves time and money

#### Features

- Stainless steel 3/4" deadlocking top latch bolt
- Bottom drop bolt, 5/8" dia. x 5-5/8" long secures into strike plate
- Handed, field reversible
- Field sizable
- 1/8 turn dogging
- Ribbed aluminum rail extrusion
- Impact resistant ABS and anodized surfaces
- Modular design accepts a variety of outside trims and functions
- Standard and narrow stile pull trims available

#### Mechanical Options

- H - Hurricane Rated
- F - 3-Hour Fire Rated
- HD - Hex Dogging (Std.)
- CD - Cylinder Dogging
- LD - Less Dogging
- 36 - Fits 36" Door Width (Std.)
- 48 - Fits 48" Door Width
- For Narrow Stile that fits 2" Narrow Stile glass door see V50xNS/ V51xNS catalog page
- 84 - Fits 7' Door Height (Std.)
- 96 - Fits 8' Door Height
- 120 - Fits 10' Door Height
- RC - Rod Covers (630 Brushed Stainless)
- BG - Bottom bolt and 12" ADA ramped cover (630 Brushed Stainless)
- 96 Surface top stike top (Std.)
- 96B Bottom dust proof strike
- Available with 628 aluminum base rail extrusion
- Available with 711 black base rail extrusion
- FC3W - Weatherized 3' Flex Conduit Kit, mounts to device end cap
- FC10W - Weatherized 10' Flex Conduit Kit, mounts to device end cap

For full list of available mechanical options, see V50 Series How To Order page

## Electrical Options

- EB W - Exit Alarm 9V Battery Weatherized
- EX W - Request to Exit Weatherized

- EXV W - Request to Exit Weatherized High Current/Voltage

Refer to Electrified Options section for more information

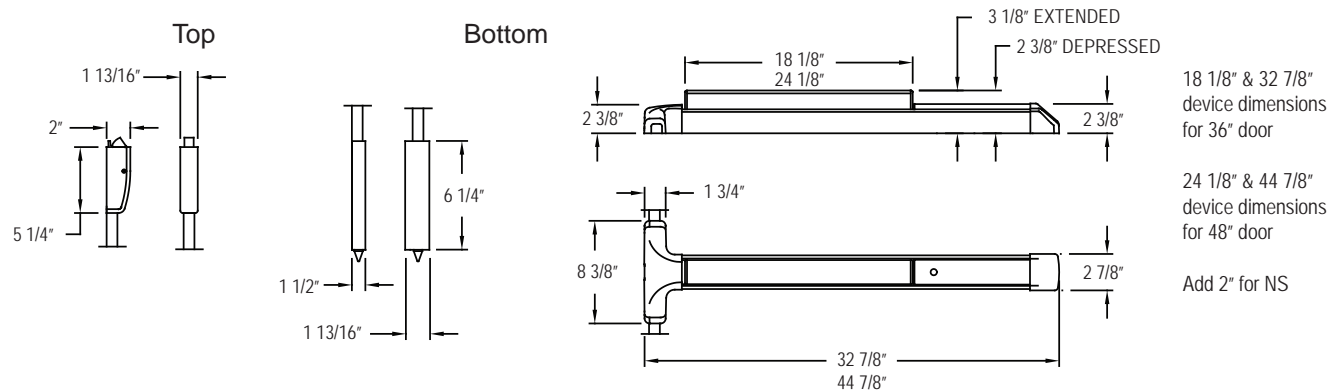
## Accessories

- Outside Trim (see Value Series Trim Options)
- SN1 - Sex Nut Kit (2 per package)
- GB# - Glass Bead Kits
- NSK - Narrow Kit for 2" narrow stile glass door applications

## Technical Information

- Door Stile - Fits 3-1/2" stile doors (Std.)
- Door Stile - Fits 2" narrow stile doors - specify NS
- Fasteners - Machine and Self-Drilling Screws standard

## Dimensions



## Listings and Approvals



UL Listed Panic Hardware



Meets ADA requirements



UL Listed Fire Exit Hardware for 3 hours, maximum 4'x10' single doors and 8'x10' pairs of doors



UBC 97, Standard 7-2 and UL10B/UL10C for positive pressure

UL1034-34 Temperature Section 34 [Temperature Range -31° F (-35° C) to 150° F (+66° C)]



California State Fire Marshal

UL1034-54 Dust Section 54



ANSI/BHMA certified A156.3



State of Florida Approval



Meets NFPA 80 & 101 for Life Safety

Texas Department of Insurance

MIL-STD 810F (G), Method 509.4 (Salt Fog Test)

MIL-STD 810F (G), Method 506.4 (Driving Rain), Procedure 1

## Detex Limited Warranty

10 Year Mechanical/3 year Electrical Limited Manufacturer's Warranty



Detex Corporation  
302 Detex Drive  
New Braunfels, Texas 78130-3045 USA

PH. (830) 629-2900

(800) 729-3839

FAX (800) 653-3839

http://www.detex.com

USA Sales:

marketing@detex.com

International Sales:

export@detex.com

For detailed windstorm and fire listings, visit [www.detex.com/PROVEN](http://www.detex.com/PROVEN)



Cancer & Reproductive Harm - [www.detex.com/prop65](http://www.detex.com/prop65)



## **BHMA Functions**

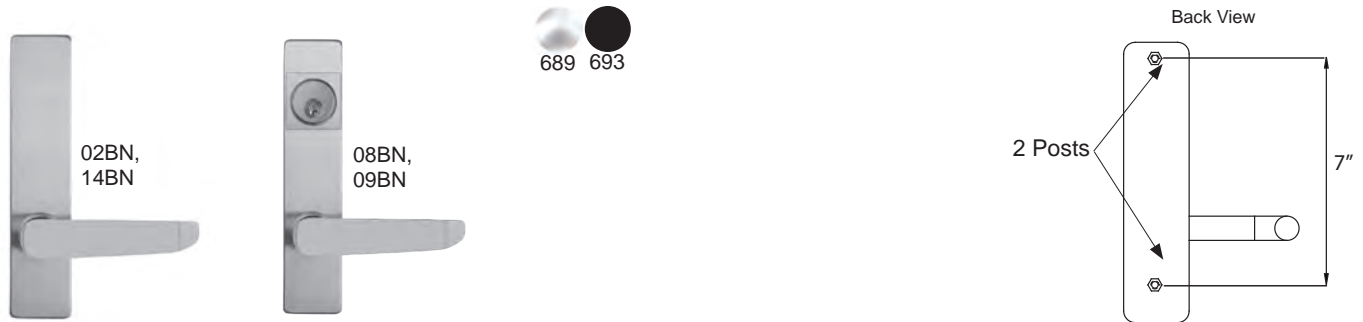
- 01** - Exit only, no trim
- 02** - Entrance by trim when actuating bar is locked down
- 03** - Entrance by trim when latch bolt is released by key. Key removable only when locked.
- 08** - Entrance by knob or lever. Key locks or unlocks knob or lever.
- 09** - Entrance by knob or lever only when released by key. Key removable only when locked.
- 14** - Entrance by trim when latch bolt is released by knob, lever. Always active, no cylinder.
- EU2W** - Electric Unlock Trim (used on doors with 4" minimum stile width, with V40/V50/V51)

# VALUE SERIES®

## LEVER TRIM DESIGNS

Assorted outside trims provide security for all types of installations. Built to be as durable as the panic devices, these heavy-duty trims will stand up to heavy use and abuse. The versatile design of the trims, combined with the device mounting plate, makes changing functions as simple as replacing the outside trim. This can easily be done without removing the exit device from the door. These trims can be used on V40 Series Rim and V50 Series Surface Vertical Rods. Detex uses the BHMA functions/descriptions for all trims.

### BN and MN Trim

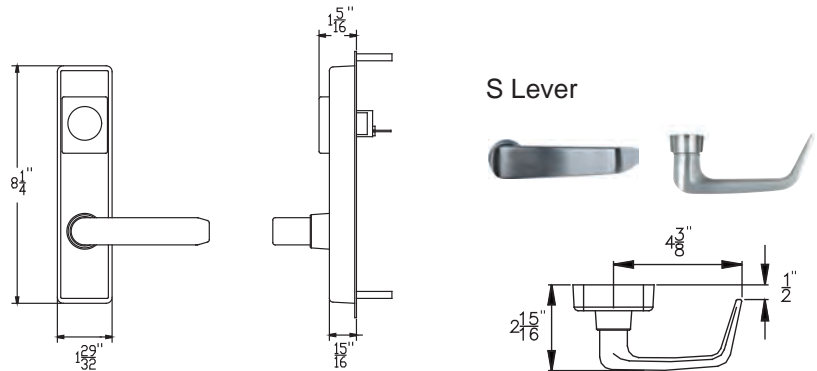


### S Lever Standard

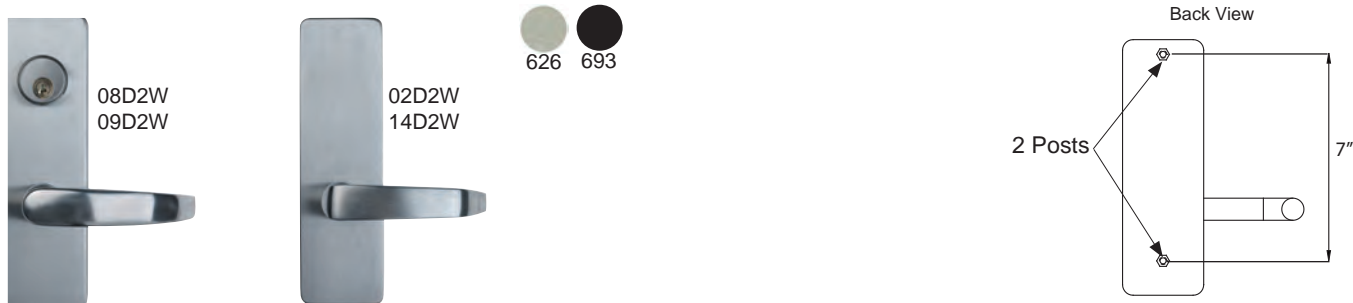
BN Trim available in 689 or 693 finishes

Mortise cylinder required for 08BN and 09BN

161 Prep Cover Plate Standard



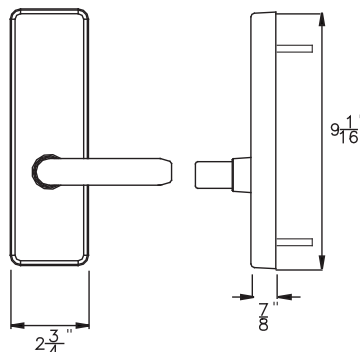
### D2W Vandal Resistant Trim (Wide Escutcheon)



### S Lever Standard

D2W Trim Available in 626 or 693 finishes

Mortise cylinder required for 08D2W and 09D2W





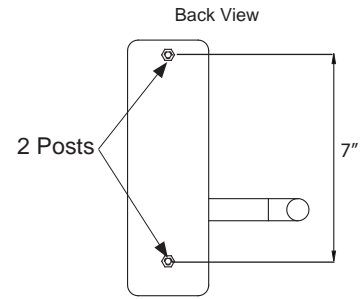
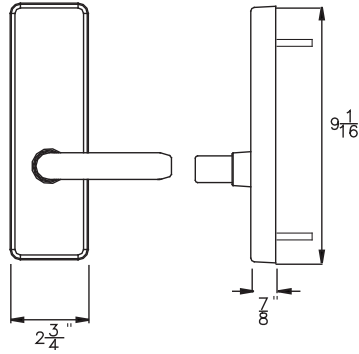
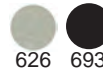
EU2W Electric Lock/Unlock Trim (Wide Escutcheon)



S Lever Standard

Available in 626 or 693 finishes

Mortise cylinder required



BHMA Function/Description

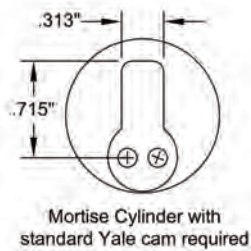
- 02 - Entrance by trim when actuating bar is locked down (dummy trim)
- 08 - Entrance by knob or lever. Key locks or unlocks knob or lever.
- 09 - Entrance by knob or lever only when released by key. Key removable only when locked.
- 14 - Entrance by trim when latch bolt is released by knob or lever. Always active, no cylinder.

Finishes

605 / US3	Polished Brass	629 / US32	Polished Stainless Steel	689 / SP28	Aluminum Painted
606 / US4	Brushed Brass			693 / SPBLK	Black Painted
611 / US9	Polished Bronze	630 / US32D	Brushed Stainless Steel	695 / SP313	Dark Bronze Painted
612 / US10	Brushed Bronze			711 / DC35	Black Anodized
613 / US10B	Oil Rubbed Bronze				

Technical Information

- BN Trims are Zinc Castings
- EU2W and D2W are forged Brass
- When ordered with device, trims will match mounting plate specified
- Value Series trims configured for use with BP2 and BP8 (standard)



Detex Corporation  
 302 Detex Drive  
 New Braunfels, Texas 78130-3045 USA  
 PH. (830) 629-2900  
 (800) 729-3839  
 FAX (800) 653-3839  
 http://www.detex.com  
 USA Sales:  
 marketing@detex.com  
 International Sales:  
 export@detex.com

Cancer & Reproductive Harm - www.detex.com/prop65

# VALUE SERIES®

## OUTSIDE PULL & PLATE TRIM DESIGNS

Assorted outside trims provide security for all types of installations. Built to be as durable as the panic devices, these heavy-duty trims will stand up to heavy use and abuse. The versatile design of the trims, combined with the device mounting plate, makes changing functions as simple as replacing the outside trim. This can easily be done without removing the exit device from the door. These trims can be used on V40 Series Rim and V50 Series Surface Vertical Rods. Detex uses the BHMA functions/descriptions for all trims.

03 function trims include cylinder bracket kit with spring loaded tailpiece that self-adjusts to door thickness.

### A and AN TRIM

**NOTE:** 02A/02AN available in 689 693, or 695 finishes

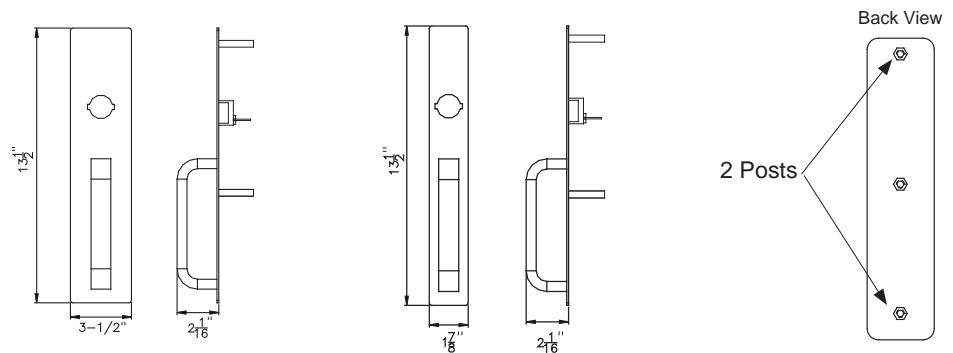
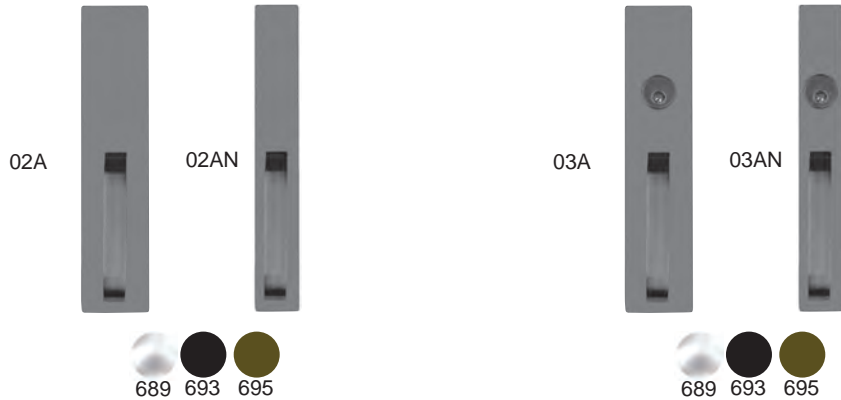
03A/03AN available in 689, 693 or 695 finishes

A Trim Covers 161 Prep

AN Trim Does Not Cover 161 Prep

Rim cylinder required for 03A and 03AN

\*Cylinder sold separately

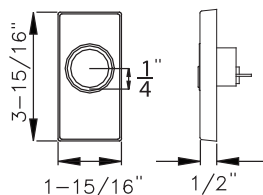
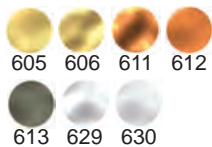


### WS Trim

Available in 605, 606, 611, 612, 613, 629 and 630 finishes



03WS

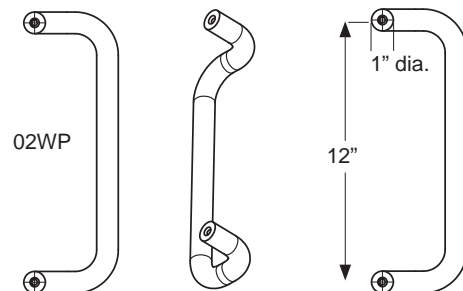


### WP Trim

Available in 628 finish

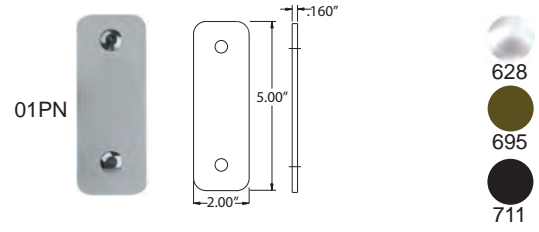
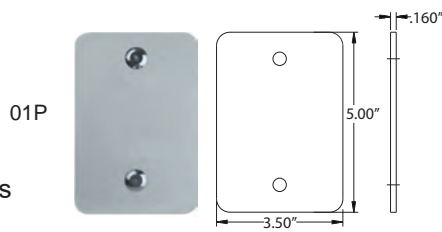


628



## P and PN Trim

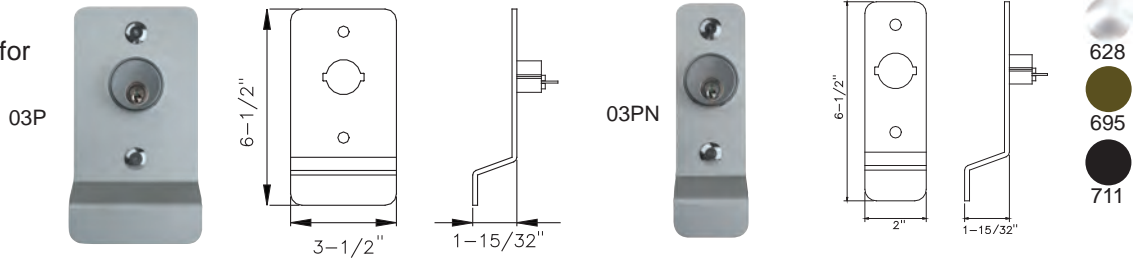
01P/01PN available in  
628 & 711 finishes



03P/03PN available in  
628, 695 & 711 finishes

P Trim covers  
161 Prep

Rim cylinder required for  
03P/03PN trims



## BHMA Function/Description

- 01 - Exit only, no trim or blank escutcheon
- 02 - Entrance by trim when actuating bar is locked down (dummy trim)
- 03 - Entrance by trim when latch bolt is released by key. Key removable only when locked.

## Finishes


605 / US3	Polished Brass	628 / US28	Satin Aluminum	689 / SP28	Aluminum Painted
606 / US4	Brushed Brass	629 / US32	Polished Stainless Steel	693 / SPBLK	Black Painted
611 / US9	Polished Bronze			695 / SP313	Dark Bronze Painted
612 / US10	Brushed Bronze	630 / US32D	Brushed Stainless Steel	711 / DC35	Black Anodized
613 / US10B	Oil Rubbed Bronze				

## Technical Information

- A/AN Trims are Steel Stampings
- WS Trims are forged Brass
- When ordered with device, trims will match mounting plate specified
- P/PN Trims are Aluminum Stampings
- Value Series trims configured for use with BP2 and BP8 (standard)

*Where Trust is Built™*  
**DETEX®**  
*Life Safety, Security and Security Assurance*

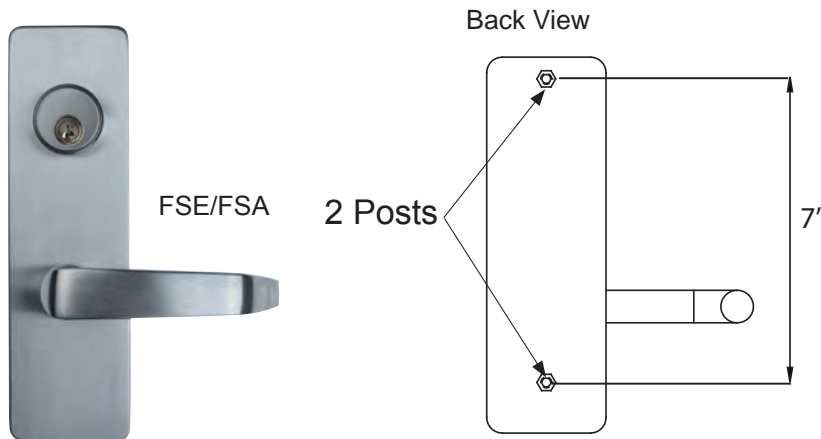
Detex Corporation  
302 Detex Drive  
New Braunfels, Texas 78130-3045 USA  
PH. (830) 629-2900  
(800) 729-3839  
FAX (800) 653-3839  
<http://www.detex.com>  
USA Sales:  
[marketing@detex.com](mailto:marketing@detex.com)  
International Sales:  
[export@detex.com](mailto:export@detex.com)

 Cancer & Reproductive Harm - [www.detex.com/prop65](http://www.detex.com/prop65)

**EU2W**

**ELECTRIC UNLOCK TRIM**

Provides remote means of locking or unlocking a door for authorized entry, access control, security or safety needs when used in conjunction with any Detex 40/V40 Series rim or 50/51/V50/V51 Series surface vertical rod exit device on doors with a minimum stile width of 4". Perfect for use on fire-rated doors, such as stairwell doors, allowing emergency entry after fire alarm activates fail safe trim. Excellent source of security for access control systems used in installations in schools, universities, hospitals, retail, industrial, etc.



For use ONLY on wide stile glass doors, wood doors, and hollow metal doors (not for use with narrow stile doors)

For use with 40/V40 Series Rim, and 50/51/V50/V51 Series Surface Vertical Rod Exit Devices

**Benefits**

- Clutching trim limits vandalism
- Key override for emergency entrance during loss of power (FSE)

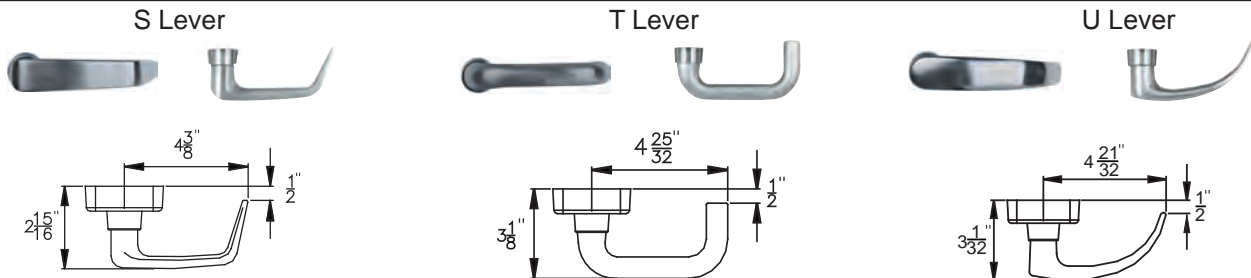
**Features**

- Cylinder override
- Spring loaded tailpiece
- Vandal resistant break-away type lever

**Mechanical Options**

- EU2W - Comes standard as D Trim, with S style Lever and Fail Secure (FSE), for use with Detex 40/V40 Series Rim or 50/51/V50/V51 Series Surface Vertical Rod Device
- EU2W x DT or DU - Comes with T style or U style lever, for use with Detex 40/V40 Series Rim or 50/51/V50/V51 Series Surface Vertical Rod Device
- KN - Knurling available on all levers
- Not Field Reversible

**Lever Options**



**Electrical Options**

- Fail Secure (FSE) - During power failure, device will be locked (Security option) ex: EU x FSE
- Fail Safe (FSA) - During power failure or fire alarm activation, the trim will always be unlocked. (Life Safety option) ex: EU x FSA
- Not Field Selectable
- Not Field Selectable

Accessories

- MC65 - Mortise Cylinder
- IC7 - 7-pin Mortise Cylinder Housing (Core not included)
- 80-800 - 24 VDC power supply with battery charging circuit
- 90-800 - 24 VDC power supply without battery charging circuit
- CCL - Long cylinder collar (11/16")
- SE-2 - Shaft extension for 2 to 2 1/2" thick doors

Finishes

605 / US3	Polished Brass	612 / US10	Brushed Bronze	629 / US32	Polished Stainless Steel
606 / US4	Brushed Brass	613 / US10B	Oil Rubbed Bronze	630 / US32D	Brushed Stainless Steel
611 / US9	Polished Bronze				

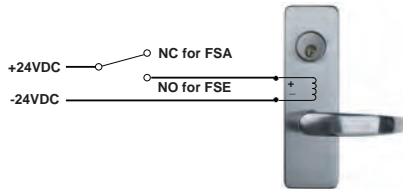
LS Lever Switch

- Monitors the lever and sends a signal to access control when lever is rotated
- Not retrofittable or field reversible - must specify handing

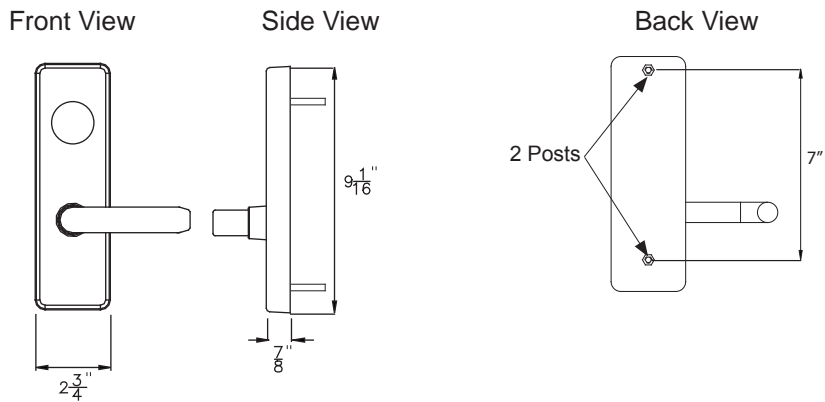
Technical Information

- 24VDC / 150ma continuous duty
- 12VDC / 310ma continuous duty

Wiring Diagram



Dimensions



\* See Detex website for EU How To Order

Listings and Approvals

- UL1034-34 Temperature Section 34  
[Temperature Range -31°F (-35° C) to 150° F (+66° C)]
- UL1034-54 Dust Section 54
- MIL-STD 810F (G), Method 509.4  
(Salt Fog Test)
- MIL-STD 810F (G), Method 506.4  
(Driving Rain), Procedure 1

Detex Limited Warranty

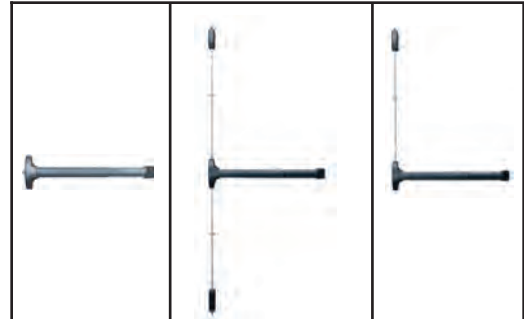
10 Year Mechanical/3 Year Electrical  
Limited Manufacturer's Warranty



Detex Corporation  
302 Detex Drive  
New Braunfels, Texas 78130-3045 USA  
PH. (830) 629-2900  
(800) 729-3839  
FAX (800) 653-3839  
http://www.detex.com  
USA Sales:  
marketing@detex.com  
International Sales:  
export@detex.com



**Outside Trim Functions**



<b>ANSI Function</b>	ANSI Type 1	ANSI Type 2	ANSI Type 2
Exit Only	<b>V40 FV40 HV40 FHV40</b>	<b>V50 FV50</b>	<b>V51 FV51</b>
02	<b>V4002 FV4002 HV4002 FHV4002</b>	<b>V5002 FV5002</b>	<b>V5102 FV5102</b>
Dummy Trim, No Cylinder	02A 02AN	02A 02AN	02A 02AN
03	<b>V4003 FV4003 HV4003 FHV4003</b>	<b>V5003 FV5003</b>	<b>V5103 FV5103</b>
Entrance by trim when latch bolt is retracted by key. Key removable only when locked.	03A* 03AN* 03P* 03PN* 03WS*	03A* 03AN* 03P* 03PN* 03WS*	03A* 03AN* 03P* 03PN* 03WS*
08	<b>V4008 FV4008 HV4008 FHV4008</b>	<b>V5008 FV5008</b>	<b>V5108 FV5108</b>
Entrance by lever. Key locks or unlocks lever.	08BN**	08BN**	08BN**
09	<b>V4009 FV4009 HV4009 FHV4009</b>	<b>V5009 FV5009</b>	<b>V5109 FV5109</b>
Entrance by lever trim activated by key; locked when key removed.	09BN**	09BN**	09BN**
14	<b>V4014 FV4014 HV4014 FHV4014</b>	<b>V5014 FV5014</b>	<b>V5114 FV5114</b>
Entrance by Lever. Lever operable at all times.	14BN	14BN	14BN

Prefix F denotes UL Listed Fire Exit Hardware  
Prefix H denotes Hurricane Listed Rim Device

\* Rim cylinder required  
\*\* Mortise cylinder required





## Electrified Options Definitions

<b>EA</b>	Hardwired Exit Alarm
<b>EB</b>	Exit Alarm with 9V Battery
<b>EB W</b>	Weatherized Exit Alarm with 9V Battery
<b>ED</b>	Electric Dogging
<b>EE</b>	Electric Delayed Egress
<b>EI</b>	Electric Integration - <i>Includes ES Switches, piezo, key switch and 2 LEDs</i>
<b>EM</b>	Electric Delayed Egress with Magnetic Lock
<b>ER EX</b>	Electric Latch Retraction with Request To Exit Switch
<b>ER EX W</b>	Weatherized Electric Latch Retraction with Request To Exit Switch
<b>ES</b>	Electric Switching
<b>EX</b>	Request to Exit Signalling
<b>EX W</b>	Weatherized Request to Exit Signalling
<b>ERK</b>	Electric Latch Retraction Conversion Kit

All Electrified Options are available on Fire Exit Hardware and Hurricane Rated Devices

# VALUE SERIES®

## Exit Alarm (EA) (Formerly EH/EH R)

The Exit Alarm (EA) device option is designed for doors that require a hardwired, alarmed panic device with remote signal and bypass. When the alarm sounds a remote signal can be sent to turn on a remote horn, strobe or other security device. The alarm can also be bypassed using a remote button, keypad, card reader or other access control device. The alarm, with approximately 100dB, will sound when someone attempts to exit, alerting management that an unauthorized exit has occurred. With electric switching that monitors the pushpad, the EA provides a high level of security while also meeting all life safety concerns.

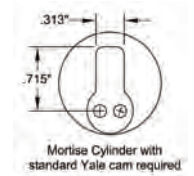


**V40 EA Shown**

(Shown with mortise cylinder - sold separately)

Wide Stile shown, for Narrow Stile, specify NS Option (for use on 36" and 48" doors with 2" stiles).

Available with V40 Rim and V50/V51 Surface Vertical Rod Exit Devices



### Benefits

- Priced to be the best value for durable and attractive loss prevention panic hardware
- Reduces employee and customer theft
- Fits almost any door in any décor
- Fast and easy installation saves time and money
- Angled end cap deflects damage away from device
- Patented mounting plate and strike locator replaces paper templates
- Durable design provides years of trouble free protection, saving on replacement costs
- Controls foot traffic, deters unauthorized exits, prevents loss and meets building code requirements

### Features

- Remote Signal - Form C signaling when alarm sounds
- Remote Bypass input allows authorized use without an alarm
- Stainless steel, 3/4" deadlocking Pullman type latch bolt
- Non-handed, field sizeable
- 100 decibel alarm
- 1/8 turn cylinder dogging
- Single mortise cylinder (sold separate) provides arming and dogging
- Armed and disarmed field selectable status indicator
- Heavy duty ribbed aluminum rail extrusion
- Visual and audible arming indicators
- FC3 - Flexible 3' Conduit Kit, mounts to device end cap
- Delayed arming allows arming after door closes
- State of art electronics offer reliable security and instantaneous alarm
- Field selectable key rearm or 2 min. auto rearm
- Accommodates all types of mortise cylinders with a standard Yale cam (collar required for 7-pin IC cylinders)

### Mechanical Options

- CD - Cylinder Dogging (Std.)
- LD - Less Dogging (mortise cylinder required for arming)
- IC7 - 7 pin small format interchangeable cylinder housing pre-installed at factory
- MC65 - Mortise cylinder pre-installed at factory
- KS - Key Stop - key removed only when armed
- 36 - Fits 36" Door Width (Std.)
- 48 - Fits 48" Door Width
- F - 3-Hour Fire Rated
- H - Hurricane Rated
- 99 - Surface Strike (Std.)
- 98 - Semi Mortise Strike
- Available with 628 Base Rail Extrusion (Std.)
- Available with 711 Base Rail Extrusion
- LF - Less Flex Conduit
- FC10 - Flexible 10' Conduit Kit, mounts to device end cap
- PT5 - Concealed mortise mount power transfer
- EH8 - Five-knuckle energy transfer hinge - 8 wires

For full list of available mechanical options, see How To Order page

Where Trust is Built™

**DETEX**  
Life Safety, Security and Security Assurance

## Electrical Options

- LBM - Latch Bolt Monitoring
- SI - Status Indicator LED's indicate armed status
- 1, 5 second arming delay (15 second - standard)
- 10 or 20 minute auto rearm (2 minute - standard)

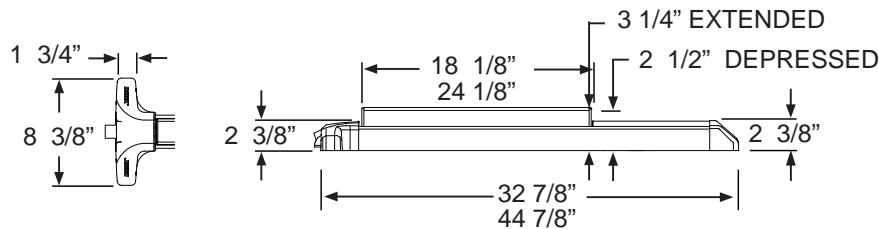
## Accessories

- SN1 - Sex Nut Fasteners
- NSK - Narrow Stile Conversion Kit - Converts V40 to fit narrow stile glass door applications
- Outside Trim (see Value Series Trim Options)

## Technical Information

- Door Types - Wood, Hollow Metal, Fiberglass or Aluminum
- Door Thickness - Fits standard 1-3/4" - 2-1/4" (for other thicknesses contact factory)
- Machine and Self Drilling Screws (std.)
- Single Door Stile - Fits 3-1/2" minimum stile doors with 99 surface strike (std.) with mullion
- Pairs of Doors Stile - Fits 4" minimum stile doors with 99 surface strike
- Door Stile - Fits 2" narrow stile doors - specify NS
- 94 Double door strike for double door without mullion
- Optional Sex Nuts or Security Torx Screws available

## Dimensions



18 1/8" & 32 7/8" device dimensions for 36" door

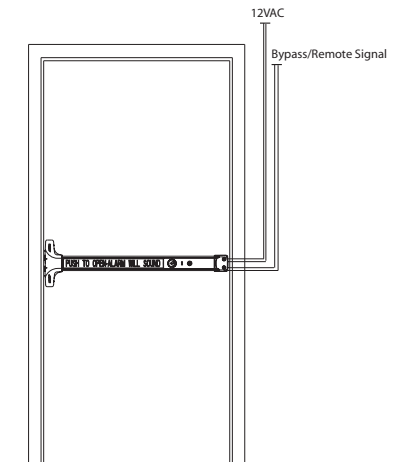
24 1/8" & 44 7/8" device dimensions for 48" door

Add 2" for NS

## Listings and Approvals

See individual device (i.e. V40 Series) catalog page for fire and panic listings and windstorm ratings/approvals

## Riser Diagram



## Detex Limited Warranty

10 Year Mechanical/3 Year Electrical Limited Manufacturer's Warranty

*Where Trust is Built™*  
**DETEX®**  
*Life Safety, Security and Security Assurance*

Detex Corporation  
 302 Detex Drive  
 New Braunfels, Texas 78130-3045 USA  
 PH. (830) 629-2900  
 (800) 729-3839  
 FAX (800) 653-3839  
 http://www.detex.com  
 USA Sales:  
 marketing@detex.com  
 International Sales:  
 export@detex.com



Cancer & Reproductive Harm - [www.detex.com/prop65](http://www.detex.com/prop65)

# VALUE SERIES®

## Exit Alarm With Battery (EB)

The Exit Alarm with Battery (EB) option is designed for primary and secondary exits that require an alarmed panic device. The 100dB alarm will sound when someone attempts to exit, alerting management to the unauthorized exit. Available in various configurations, the EB provides security while meeting all life safety concerns, offering an exceptional value.



**V40 EB Shown**  
(Shown with factory installed mortise cylinder - sold separate)

Available with V40 Rim  
and V50/V51 Surface  
Vertical Rod Exit  
Devices

Wide Stile shown, for Narrow Stile,  
specify NS Option (for use on 36"  
and 48" doors with 2" stiles).

### Benefits

- Priced to be the best value for durable and attractive loss prevention panic hardware
- Reduces employee and customer theft
- Fast and easy installation saves time and money
- Durable design provides years of trouble-free protection, saving on replacement costs
- Patented mounting plate and strike locator replaces paper templates
- Fits almost any door in any décor
- Controls foot traffic, deters unauthorized exits, prevents loss and meets building code requirements
- Angled end cap deflects damage away from device

### Features

- Powered by standard 9-volt battery
- Stainless steel, 3/4" deadlocking Pullman-type latch bolt
- 100 decibel alarm
- 1/8 turn cylinder dogging
- Armed and disarmed field selectable status indicator
- Heavy-duty ribbed aluminum rail extrusion
- Accommodates all types of mortise cylinders with a standard Yale cam (collar required for 7-pin IC cylinders)
- Visual and audible arming indicators
- Single mortise cylinder (sold separate) provides arming and dogging
- State-of-art electronics offer reliable security and instantaneous alarm
- Field selectable key rearm or 2 min. auto rearm

### Mechanical Options

- CD - Cylinder Dogging (Std.)
- LD - Less Dogging
- 36 - Fits 36" Door Width (Std.)
- 48 - Fits 48" Door Width
- F - 3-Hour Fire Rated
- H - Hurricane Rated
- 99 - Surface Strike (Std.)
- 98 - Semi Mortise Strike
- Available with 628 Base Rail Extrusion (Std.)
- Available with 711 Base Rail Extrusion
- FC3 - Flexible 3' Conduit Kit, mounts to device end cap
- FC10 - Flexible 10' Conduit Kit, mounts to device end cap
- PT5 - Concealed mortise mount power transfer
- EH8 - Five-knuckle energy transfer hinge - 8 wires

For full list of available mechanical options, see How To Order page

### Electrical Options

- R - Remote Signal (Form C signaling when alarm sounds) plus Remote Bypass Input
- LBM - Latch Bolt Monitoring
- Delayed Egress (EE)

**Accessories**

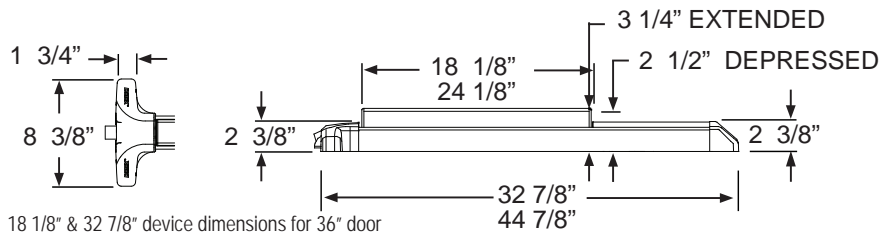
- SN1 - Sex Nut Fasteners
- KS - Key Stop - key removed only when armed
- NSK - Narrow Kit - for 2" narrow stile glass door applications
- Optional Cylinder Nut Wrench P/N: 103779
- Outside Trim (see Value Series Trim Options)



**Technical Information**

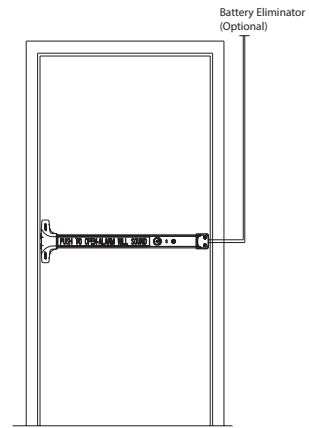
- Door Types - Wood, Hollow Metal, Fiberglass
- Aluminum doors need to be ordered as a Narrow Stile (NS)
- Door Thickness - Fits standard 1-3/4" - 2-1/4"
- Single Door Stile - Fits 3-1/2" minimum stile doors with 99 surface strike (Std.)
- Pairs of Doors Stile - Fits 4" minimum stile doors with 99 surface strike
- Door Stile - Fits 2" narrow stile doors - specify NS
- Machine and Self-Drilling Screws (Std.)
- Optional Sex Nuts or Security Torx Screws available

**Dimensions**



18 1/8" & 32 7/8" device dimensions for 36" door  
 24 1/8" & 44 7/8" device dimensions for 48" door  
 Add 2" for NS

**Riser Diagram**



**Listings and Approvals**

See individual device (i.e. V40 Series) catalog page for fire and panic listings and windstorm ratings/approvals

**Detex Limited Warranty**  
 10 Year Mechanical/3 Year Electrical  
 Limited Manufacturer's Warranty



Detex Corporation  
 302 Detex Drive  
 New Braunfels, Texas 78130-3045 USA  
 PH. (830) 629-2900  
 (800) 729-3839  
 FAX (800) 653-3839  
<http://www.detex.com>  
 USA Sales:  
[marketing@detex.com](mailto:marketing@detex.com)  
 International Sales:  
[export@detex.com](mailto:export@detex.com)

Cancer & Reproductive Harm - [www.detex.com/prop65](http://www.detex.com/prop65)

# VALUE SERIES®

## Weatherized Exit Alarm With Battery (EB W)

The Weatherized Exit Alarm with Battery (EB W) option is designed for doors and gates requiring a stand alone, battery powered, alarmed, weatherized panic device. The 100dB alarm will sound when someone attempts to exit, alerting management to the unauthorized exit. The internal alarm with both remote bypass and remote signaling capabilities is ideal for applications where both security and life safety are a concern. In addition to listing as UL panic and fire exit hardware device, this device conforms to UL1034-34 Temperature Section 34, UL1034-54 Dust Section 54, MIL-STD 810F, Method 506.4 (driving rain test); MIL-STD 810F, Method 509.4 (salt fog test) and UBC standard 7-2 (positive pressure).



**V40 EB W Shown**  
(Shown with mortise cylinder - sold separately)

Available with V40 Rim  
and V50/V51 Surface  
Vertical Rod Exit  
Devices

Wide Stile shown, for Narrow Stile,  
specify NS Option (for use on 36" and 48"  
doors with 2" stiles).

### Benefits

- Weather resistant loss prevention hardware designed for use in outdoor or wet environments
- Patented mounting plate and strike locator replaces paper templates
- Rugged, durable, corrosion-resistant design reduces maintenance
- Fast and easy installation saves time and money
- Controls foot traffic to deter unauthorized exits and reduces employee and customer theft
- Aesthetically pleasing design for almost any door or gate in any décor
- Angled end cap deflects damage away from device
- Provides reliable loss prevention protection 24 hours a day

### Features

- Powered by standard 9-volt battery
- Built-in inhibitors prevent ABS fading and weakening, typically caused by exposure to extreme temperatures and UV rays
- Visual and audible arming indicators
- Stainless steel, self-latching bolt
- 100dB alarm
- Tamper-resistant housing protects electronics, battery and internal hardware, preventing manipulation
- Tamper-resistant, immersion-proof security switches
- Indefinite alarm requiring manual rearm or variable 2 min. alarm duration with auto re-arm
- Tapered design sheds rainwater
- Covers a 161 door prep
- Cylinder dogging standard (can also be ordered less dogging)
- Visual and audible low battery alert
- Plated steel, anodized aluminum and ABS components endure heavy use and exposure to the elements
- Armed and disarmed field selectable status indicator

### Mechanical Options

- CD - Cylinder Dogging (Std.)
- Available with 628 Base Rail Extrusion (Std.)
- LD - Less Dogging
- Available with 711 (Black) Base Rail Extrusion
- 36 - Fits 36" Door Width (Std.)
- FC3W - Weatherized 3' Flex Conduit Kit, mounts to device end cap
- 48 - Fits 48" Door Width
- FC10W - Weatherized 10' Flex Conduit Kit, mounts to device end cap
- F - 3-Hour Fire Rated
- H - Hurricane Rated
- 99 - Surface Strike (Std.)
- 98 - Semi Mortise Strike

For full list of available mechanical options, see How To Order page

## Electrical Options

- Remote Signal Form C signaling when alarm sounds and remote bypass input allows authorized use without an alarm - standard feature

Other Weatherized Detex Products Include:

- Request to Exit Signalling Weatherized (EXxW)

- GTPLKIT - Adjustable Gate Plate

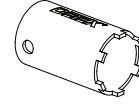
- Weatherized Delayed Egress EasyKit (WDEx10)

## Accessories

- KS - Key Stop - key removed only when armed
- Outside Trim (see Value Series Trim Options)

- NSK - Narrow Stile Conversion Kit - Converts V40 to fit narrow stile glass door applications
- SN1 - Sex Nut Fasteners

- Optional Cylinder Nut Wrench P/N: 103779



## Technical Information

- Door Types - Wood, Hollow Metal, Fiberglass
- 2" Aluminum doors need to be ordered as a narrow stile (NS)
- Door Thickness - Fits standard 1-3/4" - 2-1/4"
- Single Door Stile - Fits 3-1/2" minimum stile doors with 99 surface strike (Std.)

- Pairs of Doors Stile - Fits 4" minimum stile doors with 99 surface strike
- Door Stile - Fits 2" narrow stile doors - specify NS
- Exceeds MIL810F Method 509.4 Salt Fog Test (simulating effects of corrosive environments similar to atmospheric conditions found in coastal regions)

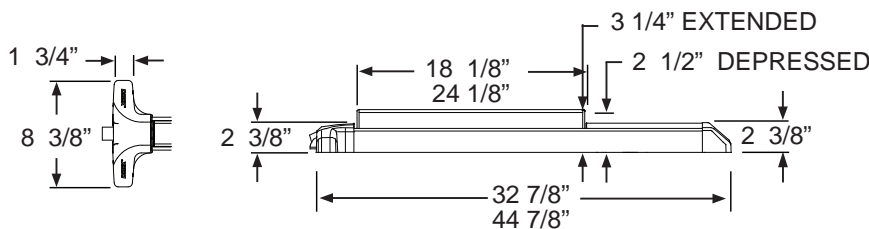
- Exceeds MIL810F Method 506.4 Driving Rain (simulating 4"/hr. rain w/40mph wind)

- Machine and Self Drilling Screws (Std.)

- Optional Sex Nuts or Security Torx Screws available

## Riser Diagram

## Dimensions



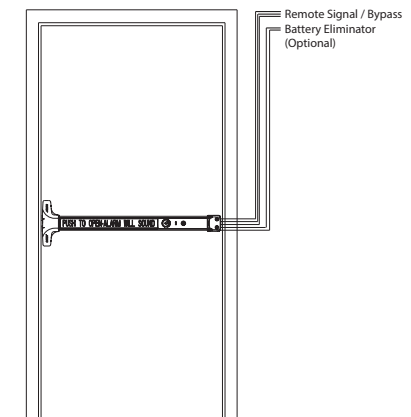
18 1/8" & 32 7/8" device dimensions for 36" door

24 1/8" & 44 7/8" device dimensions for 48" door

Add 2" for NS

## Listings and Approvals

See individual device (i.e. V40 Series) catalog page for fire and panic listings and windstorm ratings/approvals



## Detex Limited Warranty

10 Year Mechanical/3 Year Electrical  
Limited Manufacturer's Warranty

*Where Trust is Built™*  
**DETEx**®  
*Life Safety, Security and Security Assurance*

Detex Corporation  
302 Detex Drive  
New Braunfels, Texas 78130-3045 USA

PH. (830) 629-2900

(800) 729-3839

FAX (800) 653-3839

<http://www.detex.com>

USA Sales:

[marketing@detex.com](mailto:marketing@detex.com)

International Sales:

[export@detex.com](mailto:export@detex.com)



Cancer & Reproductive Harm - [www.detex.com/prop65](http://www.detex.com/prop65)



# VALUE SERIES®

## Electric Dogging (ED)

The Electric Dogging (ED) option is designed for entrance and exit doors with panic or fire exit hardware. When energized, and after a pushpad is depressed, the pushpad and the latch bolt remain retracted, providing push-pull operation. Relocking all devices is accomplished by using a single switch or through a fire alarm input.



V40 ED 628 Shown

Wide Stile shown, for Narrow Stile, specify NS Option (for use on 36" and 48" doors with 2" stiles).

Available with V40 Rim and V50/V51 Surface Vertical Rod Exit Devices

### Benefits

- Priced to be the best value for durable and attractive panic hardware
- Pushpad remains depressed while latch is retracted, preventing unnecessary cycling, for quieter operation
- Fast and easy installation saves time and money
- Patented mounting plate and strike locator replaces paper templates
- One-touch operation turns any secured door or group of doors into push-pull openings and releases them as required
- Door remains locked until first activation of pushpad (exit) allows remote activation of dogging mode
- Allows remote deactivation of dogging for instantaneous lockdown mode
- Fits almost any door in any décor
- Economical alternative to latch retraction when only dogging is required
- Rugged, durable design reduces maintenance
- While dogged, pushpad remains out of the path of egress, removing the typical catch point found with other exit devices
- Angled end cap deflects damage away from device

### Features

- Tamper resistant housing
- Operates on 24VAC or 24VDC
- Maintained latch and pushpad retraction
- Continuous duty magnet
- FC3 - Flexible 3' Conduit Kit, mounts to device end cap

### Mechanical Options

- F - 3-Hour Fire Rated
- H - Hurricane Rated
- 36 - Fits 36" Door Width (Std.)
- 48 - Fits 48" Door Width
- 99 - Surface Strike (Std.)
- 98 - Semi Mortise Strike
- Available with 628 Base Rail Extrusion (Std.)
- Available with 711 Base Rail Extrusion
- LF - Less Flex Conduit
- FC10 - Flexible 10' Conduit Kit, mounts to device end cap
- PT5 - Concealed mortise mount power transfer
- EH8 - Five-knuckle energy transfer hinge - 8 wires

For full list of available mechanical options, see V40 Series How To Order page

### Electrical Options

- EX - Request to Exit Switch (Specify ED EX)
- 90-800 - 24VDC filtered, regulated with fire loop connection
- 80-800 Power Supply - 24VDC filtered, regulated with fire loop connection with battery charging circuit
- PP-5152-2 24VAC transformer

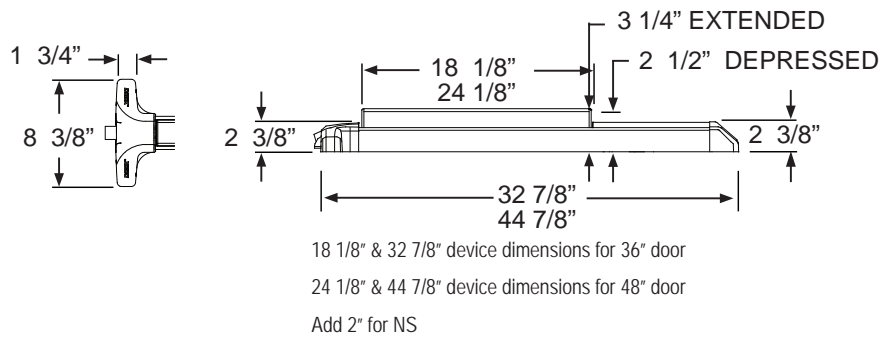
## Accessories

- SN1 - Sex Nut Fasteners
- NSK - Narrow Stile Conversion Kit - Converts V40 to fit narrow stile glass door applications
- Outside Trim (see Value Series Trim Options)

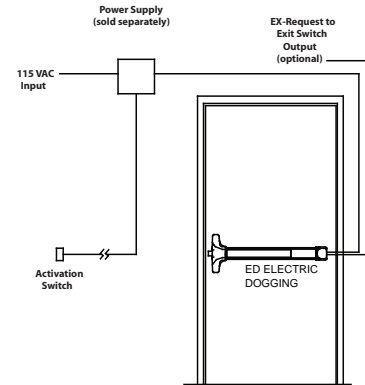
## Technical Information

- Door Types - Wood, Hollow Metal, Fiberglass or Aluminum
- Door Thickness - Fits standard 1-3/4" - 2-1/4"
- Machine and Self Drilling Screws (Std.)
- Single Door Stile - Fits 3-1/2" minimum stile doors with 99 surface strike (Std.)
- Pairs of Doors Stile - Fits 4" minimum stile doors with 99 surface strike
- Door Stile - Fits 2" narrow stile doors - specify NS
- Optional Sex Nuts or Security Torx Screws available

## Dimensions



## Riser Diagram

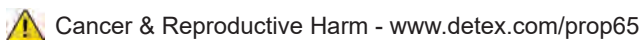


## Listings and Approvals

See individual device (i.e. V40 Series) catalog page for fire and panic listings and windstorm ratings/approvals

## Detex Limited Warranty

10 Year Mechanical/3 Year Electrical Limited Manufacturer's Warranty



Detex Corporation  
302 Detex Drive  
New Braunfels, Texas 78130-3045 USA  
PH. (830) 629-2900  
(800) 729-3839  
FAX (800) 653-3839  
<http://www.detex.com>  
USA Sales:  
[marketing@detex.com](mailto:marketing@detex.com)  
International Sales:  
[export@detex.com](mailto:export@detex.com)

# VALUE SERIES®

## Delayed Egress (EE)

The Delayed Egress (EE) option, designed for primary and secondary exits, provides a secure 15-second delay and a 100dB alarm when someone attempts to exit. This 15-second delay allows management time to respond before someone exits and the alarm deters the exit from occurring. Per life safety requirements, the EE must be provided with a fire alarm input, thus providing a system override during a fire emergency. The EE provides security while meeting all life safety concerns, offering an exceptional value.

Available with V40 Rim  
and V50/V51 Surface  
Vertical Rod Exit Devices



**V40 EE Shown**  
(Shown with mortise cylinder - sold separately)

Wide Stile shown, for Narrow Stile, specify NS Option  
(for use on 36" and 48" doors with 2" stiles).



Power Supply included  
as standard feature



PUSH UNTIL ALARM SOUNDS  
DOOR CAN BE OPENED IN 15 SECONDS

### Benefits

- Priced to be the best value for durable and attractive delayed egress panic hardware
- Patented mounting plate and strike locator replaces paper templates
- Fits almost any door in any décor
- Durable design provides years of trouble-free protection, saving on replacement costs
- Angled end cap deflects damage away from device
- Reduces employee and customer theft
- Controls foot traffic, deters unauthorized exits, prevents loss and meets building code requirements
- Fast and easy installation saves time and money

### Features

- Powered by a 24VDC filtered and regulated power supply
- Power supply delivers a constant 24VDC of filtered and regulated voltage at a rated load of 1A
- Stainless steel, 3/4" deadlocking Pullman-type latch bolt
- Non-handed, field sizeable
- 100dB alarm
- Heavy-duty ribbed aluminum rail extrusion
- Visual and audible arming indicators
- Accommodates all types of mortise cylinders with a standard Yale cam
- Single mortise cylinder provides arming and dogging - can be factory installed
- State-of-the-art electronics offer reliable security and instantaneous alarm
- 9V battery provides alarm function only in case of power failure
- Delayed arming allows arming after door closes
- 1/8 turn cylinder dogging
- Armed and disarmed field selectable status indicator
- Remote signal output and remote bypass input standard
- Alarm triggered by latch bolt movement
- Fire alarm input can be connected at power supply
- Includes delayed egress panic bar, 24VDC filtered and regulated power supply, door sign and 3' conduit loop
- FC3 - Flexible 3' Conduit Kit, mounts to device end cap

### Electrical Options

- 30 - 30 second delayed egress
- EE05 Options Package - Non-extended bypass, alarm sounds if door left open / silent arming / reset alarm with access control, or reset alarm with key only
- AL18 - Surface Armored Loop (Door/Frame mounted)
- 1 second arming (15 second arming Std.)
- Silent arming (3 chirps when arming Std.)
- SI - Status Indicators - Armed/Disarmed

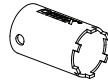
## Mechanical Options

- MC65 - Factory Installed Mortise cylinder
- IC7 - Factory Installed IC Housing
- F - 3-Hour Fire Rated
- H - Hurricane Rated
- CD - Cylinder Dogging (Std.)
- LD - Less Dogging
- 36" Door Width (Std.)
- 48" Door Width
- 99 - Surface Strike (Std.)
- 98 - Semi Mortise Strike
- KS - Key Stop (Key removed only when armed)
- Available with 628 Base Rail Extrusion (Std.)
- Available with 711 Base Rail Extrusion
- LF - Less Flex Conduit
- FC10 - Flexible 10' Conduit Kit, mounts to device end cap
- PT5 - Concealed mortise mount power transfer
- EH8 - Five-knuckle energy transfer hinge - 8 wires

For full list of available mechanical options, see V40 Series How To Order page

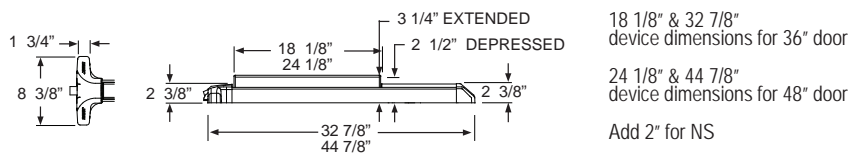
## Accessories

- SN1 - Sex Nut Fasteners
- Optional Cylinder Nut Wrench P/N: 103779
- NSK - Narrow Stile Conversion Kit - Converts V40 to fit narrow stile glass door applications

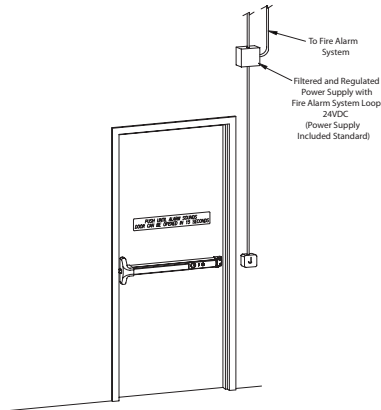


- Outside Trim (see Value Series Trim Options)
- Foreign Language Signs available Contact Factory

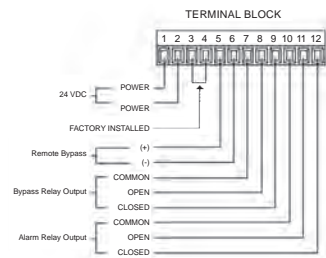
## Dimensions



## Riser Diagram



## Terminal Block



## Technical Information

- Door Types - Wood, Hollow Metal, Fiberglass or Aluminum
- Door Thickness - Fits standard 1-3/4" - 2-1/4"
- Single Door Stile - Fits 3-1/2" minimum stile doors with 99 surface strike (Std.)
- Pairs of Doors Stile - Fits 4" minimum stile doors with 99 surface strike
- Door Stile - Fits 2" narrow stile doors - specify NS
- Machine and Self-Drilling Screws (Std.)
- Optional Sex Nuts or Security Torx Screws available

## Listings and Approvals

See individual device (i.e. V40 Series) catalog page for fire and panic listings and windstorm ratings/approvals

## Detex Limited Warranty

10 Year Mechanical/3 Year Electrical Limited Manufacturer's Warranty



Detex Corporation  
 302 Detex Drive  
 New Braunfels, Texas 78130-3045 USA  
 PH. (830) 629-2900  
 (800) 729-3839  
 FAX (800) 653-3839  
<http://www.detex.com>  
 USA Sales:  
[marketing@detex.com](mailto:marketing@detex.com)  
 International Sales:  
[export@detex.com](mailto:export@detex.com)

Cancer & Reproductive Harm - [www.detex.com/prop65](http://www.detex.com/prop65)

# VALUE SERIES®

## Electric Integration (EI)

The Electric Integration (EI) device, designed for applications where electric integration is required, provides the customer with a means of integration to new or existing systems, including the Detex Series 800 Logic Controller. The customer may select from these components to integrate and create different functions from the single product package. This variety of components offers an alarm to sound, monitor the latch bolt position and/or pushpad when depressed, signals a remote panel by key switch operation when activated from inside or outside authorization, and offers 2 LED's to enhance required functions. The operation of switches will open or close (SPDT) to integrate with digital video recorders, remote alarms, strobe lights, or commence the cycle in a separate delayed egress system.



**V40 EI Shown**  
(Shown with mortise cylinder - sold separately)

Available with V40 Rim  
Exit Devices

### Benefits

- Priced to be the best value for durable and attractive loss prevention panic hardware
- Multiple switching choices for ease-of-use
- Angled end cap deflects damage away from device
- Durable electronics provide years of trouble free service, saving on replacement costs
- Controls foot traffic, deters unauthorized exits, prevents loss and meets building code requirements
- Fast and easy installation saves time and money
- Integrates with logic controllers, power supplies and most security equipment, to provide reliable integrated loss prevention protection
- Patented mounting plate and strike locator replaces paper templates

### Features

- State-of-the-art electronics for reliable security and instantaneous switch activation
- Tamper resistant switching electronically monitors pushpad, latch bolt and outside key access
- 100dB piezo alarm
- Mortise cylinder key switch output (Form C)
- Pushpad/Latch bolt position switch outputs
- Authorized access switch output
- (3) Standard SPDT (Form C) switches
- Simple "plug-in" header type terminal strip located near end cap for easy install
- Dual LED visual arming indicators (one red and one green )
- All switching capable of handling 12 or 24 Volts AC or DC
- Code-compliant door sign
- FC3 - Flexible 3' Conduit Kit, mounts to device end cap

### Mechanical Options

- LD - Less Dogging
- F - 3-Hour Fire Rated
- H - Hurricane Rated
- KS - Key Stop - Key removed only when armed
- LF - Less Flex Conduit
- FC10 - Flexible 10' Conduit Kit, mounts to device end cap
- PT5 - Concealed mortise mount power transfer
- EH8 - Five-knuckle energy transfer hinge - 8 wires

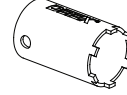
For full list of available mechanical options, see V40 Series How To Order page

## Electrical Options

- 10-800 or 11-800 Logic Controller and Power Supply for Electric Integration (required but sold separately)
- LBM - Latch Bolt Monitoring

## Accessories

- SN1 - Sex Nut Fasteners
- NSK - Narrow Stile Conversion Kit - Converts V40 to fit narrow stile glass door applications
- MC65 - Pre-installed Mortise Cylinder
- IC-7 - Pre-installed Interchangeable Core Housing
- AL18 - Surface Armored Loop (Door Frame mount)
- Foreign Language Signs available
- Security Torx Screws available
- Optional Cylinder Nut Wrench P/N: 103779



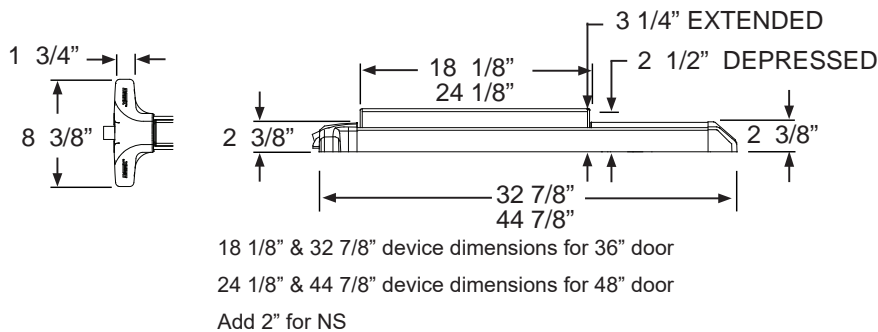
## Technical Information

- Switch jumpers for NO/NC contacts
- Single Door Stile - Fits 3-1/2" minimum stile doors with 99 surface strike (Std.)
- Pairs of Doors Stile - Fits 4" minimum stile doors with 99 surface strike
- Door Stile - Fits 2" narrow stile doors - specify NS
- Machine and Self Drilling Screws (Std.)
- Through-wire hinge or power transfer compatible
- Detachable plug-in terminal strip

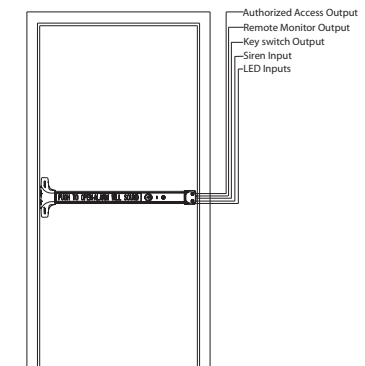
## Finishes

- Available with 628 Base Rail Extrusion (Std.)
- Available with 711 Base Rail Extrusion

## Dimensions



## Riser Diagram



## Listings and Approvals

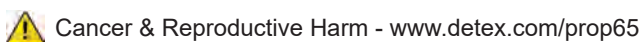
See individual device (i.e. V40 Series) catalog page for fire and panic listings and windstorm ratings/approvals

## Detex Limited Warranty

10 Year Mechanical/3 Year Electrical Limited Manufacturer's Warranty



Detex Corporation  
 302 Detex Drive  
 New Braunfels, Texas 78130-3045 USA  
 PH. (830) 629-2900  
 (800) 729-3839  
 FAX (800) 653-3839  
<http://www.detex.com>  
 USA Sales:  
[marketing@detex.com](mailto:marketing@detex.com)  
 International Sales:  
[export@detex.com](mailto:export@detex.com)





# VALUE SERIES®

## Electric Latch Retraction with Request to Exit Switch (ER EX)

The Electric Latch Retraction (ER EX) option is designed for entrance and exit doors with panic or fire exit hardware where remote unlocking, remote dogging, access control or automatic door operator is desired.



V40 ER EX 711 BLK Shown

Available with V40 Rim  
and V50/V51 Surface  
Vertical Rod Exit  
Devices

Wide Stile shown, for Narrow Stile, specify NS Option  
(for use on 36" and 48" doors with 2" stiles).

### Benefits

- Durable design provides years of trouble free protection, saving on replacement costs
- Fits almost any door in any décor
- Controls foot traffic, deters unauthorized exits, prevents loss and meets building code requirements
- Fast and easy installation saves time and money
- Patented mounting plate and strike locator replaces paper templates
- Angled end cap deflects damage away from device

### Features

- Continuous Duty Motor - quiet operation
- Momentary or maintained latch and pushpad retraction
- FC3 - Flexible 3' Conduit Kit, mounts to device end cap
- Switches to monitor pushpad
- Voltage - 24VDC

### Mechanical Options

- 36 - Fits 36" Door Width (Std.)
- Available with 711 Base Rail Extrusion
- EH8 - Five-knuckle energy transfer hinge - 8 wires
- 48 - Fits 48" Door Width
- LF - Less Flex Conduit
- For full list of available mechanical options, see V40 Series How To Order page
- F - 3-Hour Fire Rated
- FC10 - Flexible 10' Conduit Kit, mounts to device end cap
- H - Hurricane Rated
- PT5 - Concealed mortise mount power transfer
- 99 - Surface Strike (Std.)
- 98 - Semi Mortise Strike

### Electrical Options

- 81-800 - Power Supply for single door
- Latch Retraction power supplies are required and sold separately
- 82-800 - Power Supply for pair of simultaneous doors
- 83-800 - Power Supply for two independent doors

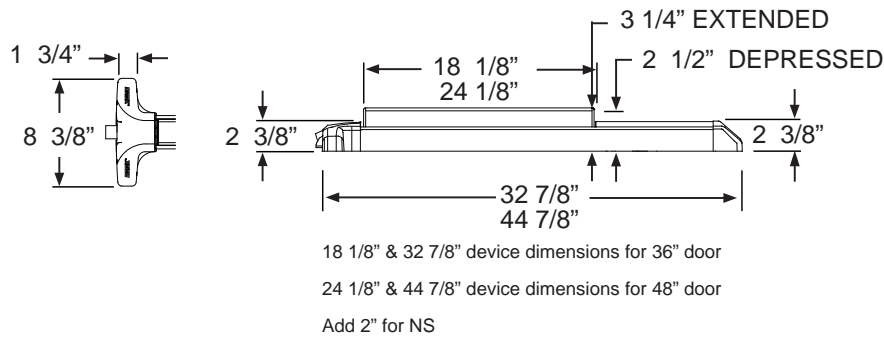
### Accessories

- SN1 - Sex Nut Fasteners
- NSK - Narrow Stile Conversion Kit - Converts V40 to fit narrow stile glass door applications
- Outside Trim (see Value Series Trim Options)

## Technical Information

- Door Types - Wood, Hollow Metal, Fiberglass or Aluminum
- Door Thickness - Fits standard 1-3/4" - 2-1/4"
- Single Door Stile - Fits 3-1/2" minimum stile doors with 99 surface strike (Std.)
- Machine and Self-Drilling Screws (Std.)
- Pairs of Doors Stile - Fits 4" minimum stile doors with 99 surface strike
- Door Stile - Fits 2" narrow stile doors - specify NS
- Optional Sex Nuts or Security Torx Screws available
- 2 Amps to retract pushpad and latch
- 200mA to hold pushpad and latch retracted

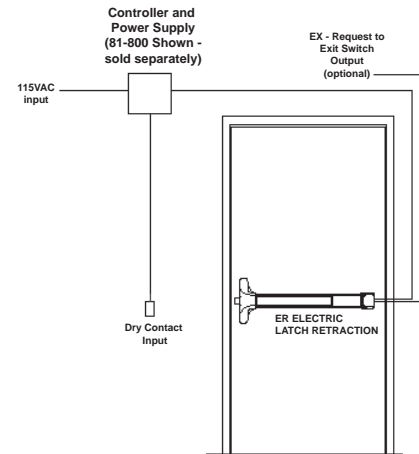
## Dimensions



## Listings and Approvals

See individual device (i.e. V40 Series) catalog page for fire and panic listings and windstorm ratings/approvals

## Riser Diagram




## Detex Limited Warranty

10 Year Mechanical/3 Year Electrical Limited Manufacturer's Warranty

*Where Trust is Built™*  
**DETEx®**  
*Life Safety, Security and Security Assurance*

Detex Corporation  
302 Detex Drive  
New Braunfels, Texas 78130-3045 USA  
PH. (830) 629-2900  
(800) 729-3839  
FAX (800) 653-3839  
<http://www.detex.com>  
USA Sales:  
[marketing@detex.com](mailto:marketing@detex.com)  
International Sales:  
[export@detex.com](mailto:export@detex.com)

 Cancer & Reproductive Harm - [www.detex.com/prop65](http://www.detex.com/prop65)

# VALUE SERIES®

## Weatherized Electric Latch Retraction with Request to Exit Switch (ER EX W)

The Weatherized Electric Latch Retraction (ER EX W) function is designed for entrance and exit doors with panic or fire exit hardware exposed to weather environments where remote unlocking, remote dogging, or access control is desired. The ER EX W is listed as a UL panic and fire exit hardware device and conforms to UL 1034-34 Temperature Section 34, UL 1034-54 Dust Section 54, MIL-STD 810F, Method 509.4 (salt fog test), MIL-STD 810F, Method 506.4 (driving rain test) and UBC standard 7-2 (positive pressure). Power supply and controller must be installed in a NEMA 4X enclosure or located in a controlled, moisture-free environment.

Available with V40 Rim  
and V50/V51 Surface  
Vertical Rod Exit  
Devices



V40 ER EX W 711 BLK Shown

### Benefits

- Works with any type of access control system
- Simultaneous pushpad and latch bolt retraction provides smooth surface with no catch points
- Provides a means for remote dogging and lock-down for added security in lockdown situations
- Fast and easy installation saves time and money
- Angled end cap deflects damage away from device
- Patented mounting plate and strike locator replaces paper templates

### Features

- Low voltage with no high current in-rush
- Momentary or maintained latch and pushpad retraction
- Long term dogging capability
- Continuous duty motor for quiet operation - no loud solenoid
- FC3W - Weatherized 3' Flex Conduit Kit, mounts to device end cap
- Coated materials allow use in weather exposed environments
- Weatherized switches
- Simultaneous latch and pushpad retraction

### Mechanical Options

- 36 - Fits 36" door widths (std.)
- Available with 628 aluminum base rail
- FC10W - Weatherized 10' Flex Conduit Kit, mounts to device end cap
- 48 - Fits 48" door widths
- Available with 711 black base rail
- For full list of available mechanical options, see How To Order page
- NS - Fits 2" narrow stile glass door
- LF - Less Flex Conduit

### Electrical Options

- 81-800 - Power Supply for single door
- Latch Retraction power supplies are required and sold separately
- 82-800 - Power Supply for pair of simultaneous doors
- 83-800 - Power Supply for two independent doors

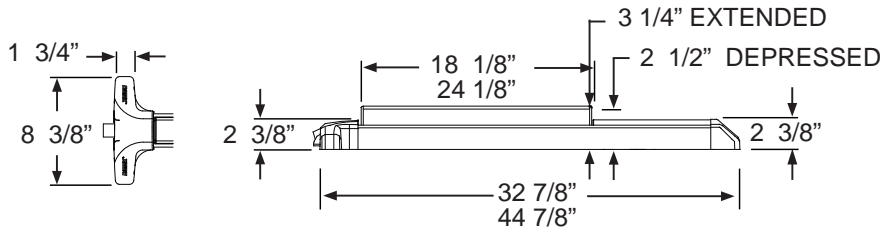
**Accessories**

- SN1 - Sex Nut Fasteners
- NSK - Narrow Stile Conversion Kit - Converts V40 to fit narrow stile glass door applications

**Technical Information**

- Voltage 24VDC
- 2 Amps to retract pushpad and latch
- 200mA to hold pushpad and latch retracted
- Door Stile - Fits 3-1/2" stile doors (std.)
- For 2" narrow stile glass doors, specify xNS

**Dimensions**

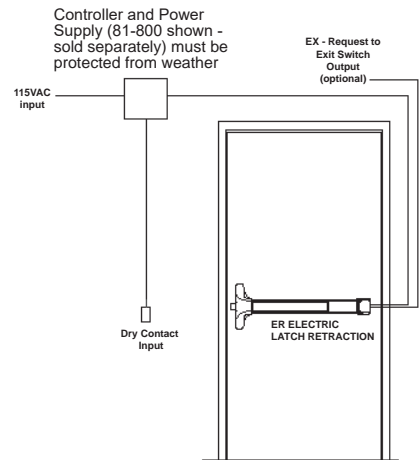


18 1/8" & 32 7/8" device dimensions for 36" door  
 24 1/8" & 44 7/8" device dimensions for 48" door  
 Add 2" for NS

**Riser Diagram**

**Listings and Approvals**

See individual device (i.e. V40 Series) catalog page for fire and panic listings and windstorm ratings/approvals



**Detex Limited Warranty**

10 Year Mechanical/3 Year Electrical Limited Manufacturer's Warranty



Detex Corporation  
 302 Detex Drive  
 New Braunfels, Texas 78130-3045 USA  
 PH. (830) 629-2900  
 (800) 729-3839  
 FAX (800) 653-3839  
 http://www.detex.com  
 USA Sales:  
 marketing@detex.com  
 International Sales:  
 export@detex.com

Cancer & Reproductive Harm - www.detex.com/prop65

# VALUE SERIES®

## Electric Switching (ES)

The Electric Switching (ES) device option is designed for doors that require a means of switching when someone depresses the pushpad on the panic device during egress or retracts the latch using an authorized key in an outside trim. Always used in conjunction with other security items, the V40 ES provides a normally closed or normally open contact that can be used for a variety of different uses such as activating a remote horn or strobe. The V40 ES is UL listed as panic and fire exit hardware as well as UBC standard 7-02 (positive pressure).



Available with V40 Rim Exit Devices

V40 ES Shown

Wide Stile shown, for Narrow Stile, specify NS Option (for use on 36" and 48" doors with 2" stiles).

### Benefits

- Priced to be the best value for durable and attractive loss prevention panic hardware
- Reduces employee and customer theft
- Integrates with other loss prevention equipment
- Fits almost any door in any décor
- Large, steel reinforced pushpad with black ABS cover resists damage
- Fast and easy installation saves time and money
- Patented mounting plate and strike locator replaces paper templates
- Controls foot traffic, deters unauthorized exits, prevents loss and meets building code requirements
- Withstands over 1400 pounds of static pull force for greater security
- Angled end cap deflects damage away from device

### Features

- Signal switching monitors latch bolt, pushpad and authorized access
- Switch capable of signalling at low currents for integration to a central control station
- Stainless steel deadlocking latch bolt
- Remote bypass capability
- FC3 - Flexible 3' Conduit Kit, mounts to device end cap
- Tamper resistant housing protects internal switching, preventing manipulation
- Tamper resistant switching electronically monitors pushpad
- Normally Open or Normally Closed (field selectable)
- Standard SPDT (Form C) switch with three wires, Yellow (N/O), Brown (Common) & Green (N/C), creating either a Normally Open or Closed contact

### Mechanical Options

- CD - Cylinder Dogging (Std.)
- HD - Hex Dogging
- LD - Less Dogging
- F - 3-Hour Fire Rated
- H - Hurricane Rated
- 36 - Fits 36" Door Width (Std.)
- 48 - Fits 48" Door Width
- 99 - Surface Strike (Std.)
- 98 - Semi Mortise Strike
- LF - Less Flex Conduit
- FC10 - Flexible 10' Conduit Kit, mounts to device end cap
- Available with 628 Base Rail Extrusion (Std.)
- Available with 711 (Black) Base Rail Extrusion
- RWE - Red pushpad with white lettering
- PT5 - Concealed mortise mount power transfer
- EH8 - Five-knuckle energy transfer hinge - 8 wires

For full list of available mechanical options, see How To Order page

## Electrical Options

- R - Remote Signal (Form C signaling when alarm sounds)
- LBM - Latch Bolt Monitoring

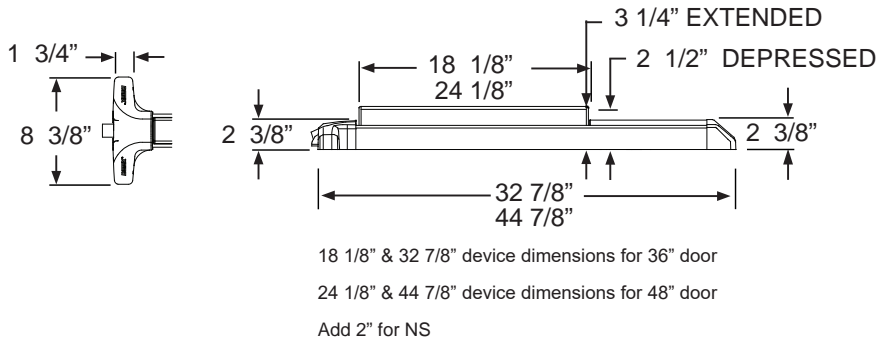
## Accessories

- KS - Key Stop - key removed only when armed
- SN1 - Sex Nut Fasteners
- MC65 - Pre-Installed mortise cylinder
- NSK - Narrow Stile Conversion Kit - Converts V40 to fit narrow stile glass door applications
- SSK - Security Torx Screws
- IC7 - Pre-installed interchangeable core housing

## Technical Information

- Single Door Stile - Fits 3-1/2" minimum stile doors with 99 surface strike (Std.)
- Door Stile - Fits 2" narrow stile doors - specify NS
- Machine and Self Drilling Screws (Std.)
- Pairs of Doors Stile - Fits 4" minimum stile doors with 99 surface strike
- Detachable plug-in terminal strip
- Switch jumpers for NO/NC contacts
- Through-wire or power transfer compatible

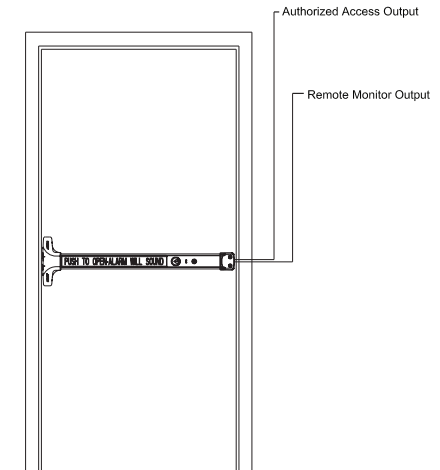
## Dimensions



## Listings and Approvals

See individual device (i.e. V40 Series) catalog page for fire and panic listings and windstorm ratings/approvals

## Riser Diagram



## Detex Limited Warranty

10 Year Mechanical/3 Year Electrical  
 Limited Manufacturer's Warranty

*Where Trust is Built™*  
**DETEx**®  
*Life Safety, Security and Security Assurance*

Detex Corporation  
 302 Detex Drive  
 New Braunfels, Texas 78130-3045 USA  
 PH. (830) 629-2900  
 (800) 729-3839  
 FAX (800) 653-3839  
<http://www.detex.com>  
 USA Sales:  
[marketing@detex.com](mailto:marketing@detex.com)  
 International Sales:  
[export@detex.com](mailto:export@detex.com)

 Cancer & Reproductive Harm - [www.detex.com/prop65](http://www.detex.com/prop65)



# VALUE SERIES®

## Electric Request to Exit Switching (EX) High Current / Voltage Switching (EXV)

The Request to Exit (EX) option, designed for applications where electric signaling is required, provides the customer with a means of signaling when the push pad is depressed. The EX monitors the pushpad and when depressed, will open or close (SPDT) to signal an alarm, send a remote signal to monitor egress, or commence the cycle in a separate delayed egress system.



V40 EX Shown

Available with V40 Rim  
and V50/V51 Surface  
Vertical Rod Exit  
Devices

Wide Stile shown, for Narrow Stile, specify NS Option  
(for use on 36" and 48" doors with 2" stiles).

### Benefits

- Priced to be the best value for panic exit hardware
- Provides reliable loss prevention protection 24-hours a day
- Rugged, durable design reduces maintenance
- Angled end cap deflects damage away from device
- Integrates with other loss prevention equipment
- Large, steel reinforced pushpad with black ABS cover resists damage
- Patented mounting plate and strike locator replaces paper templates
- Withstands over 1400 pounds of static pull force for greater security
- Fits almost any door in any décor
- Patented back plate and plastic strike locator designed for perfect alignment with door and frame without paper template
- Fast and easy installation saves time and money

### Features

- Stainless steel deadlocking latch bolt
- Tamper resistant housing protects internal switching, preventing manipulation
- To shunt power to an electromagnetic lock, specify EXV
- Tamper resistant switching electronically monitors pushpad
- Standard SPDT (Form C) switch with three wires, Yellow (N/O), Brown (Common) & Green (N/C), creating either a Normally Open or Closed contact
- Switch capable of signalling at low currents for integration to a central control station
- FC3 - Flexible 3' Conduit Kit, mounts to device end cap

### Mechanical Options

- CD - Cylinder Dogging
- HD - Hex Dogging (Std.)
- LD - Less Dogging
- F - 3-Hour Fire Rated
- H - Hurricane Rated
- 36 - Fits 36" Door Width (Std.)
- 48 - Fits 48" Door Width
- 99 - Surface Strike (Std.)
- 98 - Semi Mortise Strike
- Available with 628 Base Rail Extrusion (Std.)
- Available with 711 (Black) Base Rail Extrusion
- RWE - Red pushpad with white lettering
- LF - Less Flex Conduit
- FC10 - Flexible 10' Conduit Kit, mounts to device end cap
- PT5 - Concealed mortise mount power transfer
- EH8 - Five-knuckle energy transfer hinge - 8 wires

For full list of available mechanical options, see V40 Series How To Order page

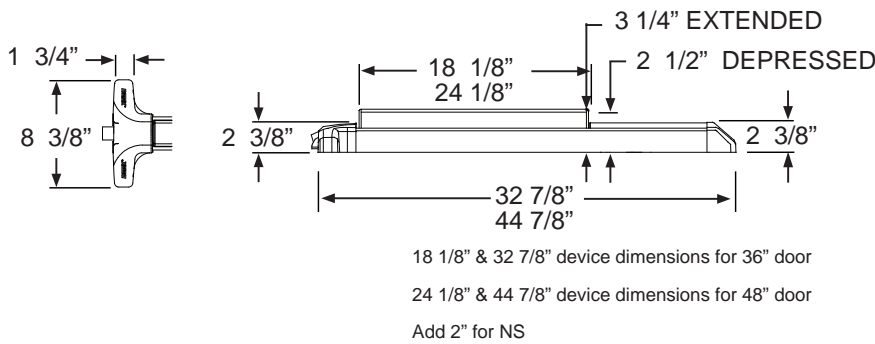
Accessories

- SN1 - Sex Nut Fasteners
- SSK3 - Security Screw Kit
- NSK - Narrow Stile Conversion Kit - Converts V40 to fit narrow stile glass door applications
- Outside Trim (see Value Series Trim Options)

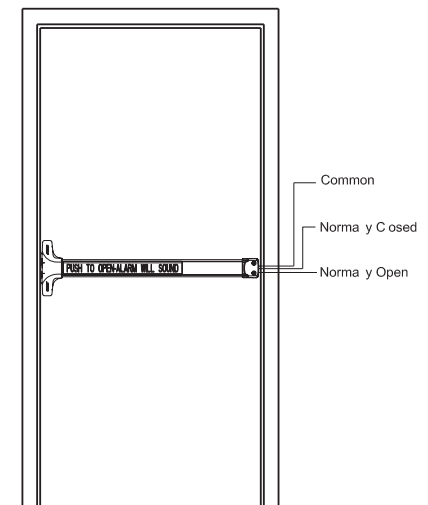
Technical Information

- Door Types - Wood, Hollow Metal, Fiberglass or Aluminum
- Door Thickness - Fits standard 1-3/4" - 2-1/4"
- Single Door Stile - Fits 3-1/2" minimum stile doors with 99 surface strike (Std.)
- Pairs of Doors Stile - Fits 4" minimum stile doors with 99 surface strike
- Door Stile - Fits 2" narrow stile doors - specify NS
- Machine and Self Drilling Screws (Std.)
- Optional Sex Nuts or Security Torx Screws available

Dimensions



Riser Diagram



Listings and Approvals

See individual device (i.e. V40 Series) catalog page for fire and panic listings and windstorm ratings/approvals

Detex Limited Warranty

10 Year Mechanical/3 Year Electrical Limited Manufacturer's Warranty



Detex Corporation  
 302 Detex Drive  
 New Braunfels, Texas 78130-3045 USA  
 PH. (830) 629-2900  
 (800) 729-3839  
 FAX (800) 653-3839  
<http://www.detex.com>  
 USA Sales:  
[marketing@detex.com](mailto:marketing@detex.com)  
 International Sales:  
[export@detex.com](mailto:export@detex.com)



# VALUE SERIES®

## Electric Request to Exit Weatherized Switching Weatherized Switching (EX W)

### High Current / Voltage Weatherized Switching (EXV W)

The Weatherized Request to Exit (EX W) option, designed for outdoor gates and other wet environments, provides the customer with a means of signaling when the pushpad is depressed. This will open or close switch contacts (SPDT) and signal an alarm, remote strobe light or commence the cycle in a separate delayed egress system.

Available with V40 Rim  
and V50/V51 Surface  
Vertical Rod Exit  
Devices



V40 EX W Shown



Wide Stile shown, for Narrow Stile, specify NS Option  
(for use on 36" and 48" doors with 2" stiles).

#### Benefits

- Priced to be the best value for panic exit hardware
- Provides reliable loss prevention protection 24-hours a day
- Rugged, weatherized and corrosion resistant for years of reliable service
- Angled end cap deflects damage away from device
- Integrates with other loss prevention equipment
- Large, steel reinforced pushpad with black ABS cover resists damage
- Fast and easy installation saves time and money
- Patented mounting plate and strike locator replaces paper templates
- Withstands over 1400 pounds of static pull force for greater security
- Fits almost any door in any décor
- Patented back plate and plastic strike locator designed for perfect alignment with door and frame without paper template

#### Features

- Stainless steel, 3/4" throw deadlocking latch bolt
- Tamper resistant switching electronically monitors pushpad
- Covers a 161 door prep
- Weatherized switch for signalling at low currents to a central control station
- Standard SPDT (Form C) switch with three wires, Yellow (N/O), Brown (Common) & Green (N/C), creating either a Normally Open or Closed contact
- Withstands environmental elements when installed on gates or exterior doors
- Fits 2" narrow stile doors with optional narrow stile door kit
- To shunt power to an electromagnetic lock, specify EXV W
- FC3W - Weatherized 3' Flex Conduit Kit, mounts to device end cap

#### Mechanical Options

- CD - Cylinder Dogging
- HD - Hex Dogging (Std.)
- LD - Less Dogging
- F - 3-Hour Fire Rated
- H - Hurricane Rated
- 36 - Fits 36" Door Width (Std.)
- 48 - Fits 48" Door Width
- 99 - Surface Strike (Std.)
- 98 - Semi Mortise Strike
- 95 - Double Door Strike
- Available with 628 Base Rail Extrusion (Std.)
- Available with 711 (Black) Base Rail Extrusion
- RWE - Red pushpad with white lettering
- LF - Less Flex Conduit
- FC10W - Weatherized 10' Flex Conduit Kit, mounts to device end cap

For full list of available mechanical options, see How To Order page

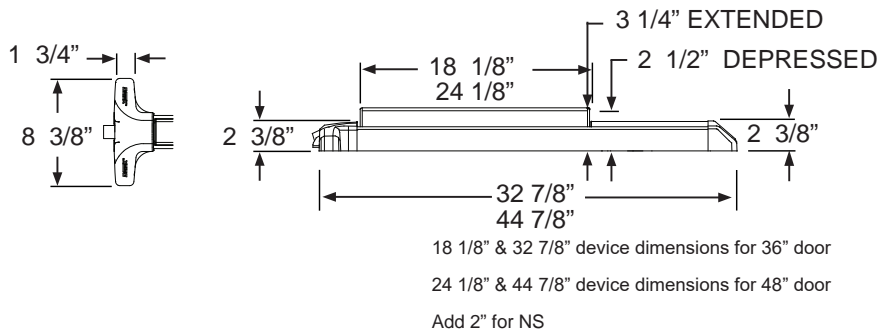
## Accessories

- SN1 - Sex Nut Fasteners
- KS - Key Stop - key removed only when armed
- NSK - Narrow Stile Conversion Kit - Converts V40 to fit narrow stile glass door applications
- SSK3 - Security Screw Kit
- GTPLKIT - Adjustable Gate Plate
- Outside Trim (see Value Series Trim Options)

## Technical Information

- Door Types - Wood, Hollow Metal, Fiberglass or Aluminum
- Door Thickness - Fits standard 1-3/4" - 2-1/4"
- Door Stile - Fits 2" narrow stile doors with 98 semi-mortise strike - Specify V40xNS
- Door Stile - Fits standard door with 99 surface strike (Std.)
- Machine and Self Drilling Screws (Std.)
- Optional Sex Nuts or Security Torx Screws available

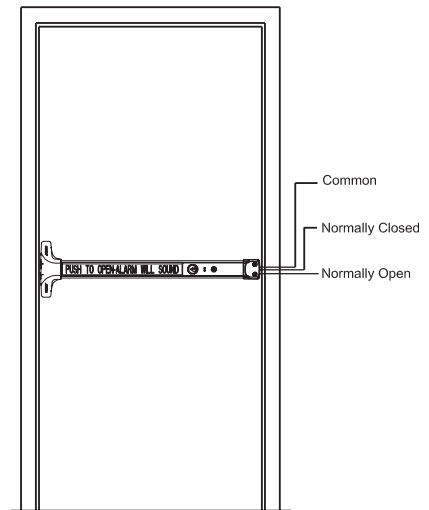
## Dimensions



## Listings and Approvals

See individual device (i.e. V40 Series) catalog page for fire and panic listings and windstorm ratings/approvals

## Riser Diagram




## Detex Limited Warranty

10 Year Mechanical/3 Year Electrical  
Limited Manufacturer's Warranty

*Where Trust is Built™*  
**DETEX®**  
*Life Safety, Security and Security Assurance*

Detex Corporation  
302 Detex Drive  
New Braunfels, Texas 78130-3045 USA  
PH. (830) 629-2900  
(800) 729-3839  
FAX (800) 653-3839  
<http://www.detex.com>  
USA Sales:  
[marketing@detex.com](mailto:marketing@detex.com)  
International Sales:  
[export@detex.com](mailto:export@detex.com)

 Cancer & Reproductive Harm - [www.detex.com/prop65](http://www.detex.com/prop65)

## Electric Latch Retraction Conversion Kit (VS-ERK)

The Electric Latch Retraction Conversion Kit (ERK) is designed for converting a non-electrical device into a latch retraction function where remote unlocking or remote dogging is desired. A Request to Exit switch, activated by the pushpad, is included in every ERK conversion kit.



Black Value Series pushpad wrap included

Compatible with 3-foot and 4-foot versions of the following exit devices:  
V40 Rim and V50/V51 Surface Vertical Rod Devices

### Benefits

- Compatible with any type of access control system
- Provides a means for remote dogging and lockdown
- Simple catalog number to remember when ordering VS-ERK3 (3 foot) or VS-ERK4 (4 foot)
- Fast and easy conversion saves time and money by converting 3-foot and 4-foot mechanical device to electric latch retraction
- Simultaneous pushpad and latch bolt retraction provides smooth surface with no catch points
- Works with any manufacturer's power supply (24VDC filtered and regulated @1A)
- Silencer ensures quiet relatching / relocking
- Quiet motor helps reduce noise

### Features

- Continuous duty motor for quiet operation - no solenoid
- Momentary or maintained latch and pushpad retraction
- Low voltage with no high current in-rush
- REX switch standard included with each device (EX)
- Simultaneous latch and pushpad retraction
- Use with power supplies that can provide a filtered and regulated 24VDC at 1A continuous
- Long term dogging capability

### Mechanical Options

- F - Fire Rated
  - VS-ERK3 - Fits 36" Door Width
  - FC3 - Flexible 3' Conduit Kit, mounts to device end cap
  - H - Hurricane Rated
  - VS-ERK4 - Fits 48" Door Width
  - FC10 - Flexible 10' Conduit Kit, mounts to device end cap
  - AL18 - Surface Armored Loop (door/frame mounted)
  - EH8 - Five-knuckle energy transfer hinge - 8 wires
  - PT5 - Concealed mortise mount power transfer
- For full list of available mechanical options, see individual device how to order page

### Electrical Options

- Latch Retraction power supplies are required and sold separately
- 81-800 - Power Supply for single door
- 82-800 - Power Supply for pair of doors
- 83-800 - Power Supply for two independent doors
- LX - Latch bolt Signaling (specify VS-ERK3 LX or VS-ERK4 LX)

NOTE: Latch Retraction requires the use of a power supply with filtered and regulated 24VDC @ 1A minimum

## Technical Information

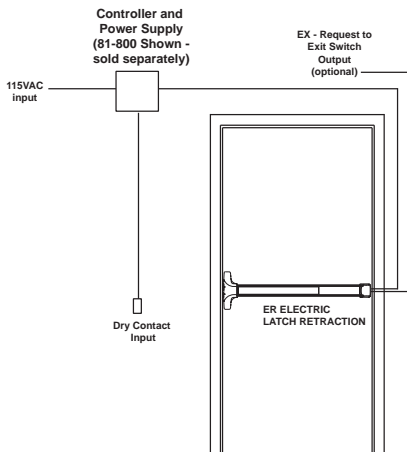
- Voltage 24VDC
- Minimum wire gauge for 24V ER Operation (These are minimum requirements - larger gauge wire is acceptable)
  - Up to 50 feet: 20 gauge
  - 51-400 feet: 18 gauge
  - 401-750 feet: 16 gauge
  - 751-1000 feet: 14 gauge
- 1A to retract pushpad and latch
- 0.18A to hold pushpad and latch retracted
- 1A power supply - 24VDC Filtered and Regulated Power Supply
  - 1 ER Device
  - 2 ER Devices if devices are staggered by 300mSec
- 2A power supply - 24VDC Filtered and Regulated Power Supply
  - 2 ER Devices
  - 4 ER Devices if devices are staggered by 300mSec

## Device Finishes

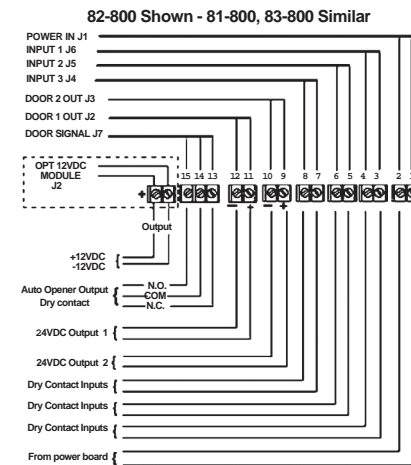
628 - Aluminum Satin

711 - Anodized Aluminum, Black

## Riser Diagram



## Riser Diagram



## Listings and Approvals

See individual device (i.e. V40 Series) catalog page for fire and panic listings and windstorm ratings/ approvals

## Detex Limited Warranty

10 Year Mechanical/3 Year Electrical Limited Manufacturer's Warranty

Where Trust is Built™

**DETEx**®

Life Safety and Security Door Hardware

Detex Corporation  
302 Detex Drive  
New Braunfels, Texas 78130-3045 USA

PH. (830) 629-2900

(800) 729-3839

FAX (800) 653-3839

http://www.detex.com

USA Sales:

marketing@detex.com

International Sales:

export@detex.com



Cancer & Reproductive Harm - www.detex.com/prop65





## List of Accessories

Slide-In Filler Kits

Strikes

Through Bolt Mounting Plate

Cylinders

Cylinder Collars

Cylinder Bracket Kit

Sex Nut Kits

Tools

Security Screw Kits

Narrow Stile Door Kits

Glass Bead Kits

Battery Eliminator

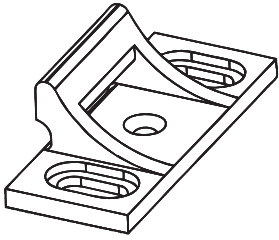
# VALUE SERIES®

## Accessories

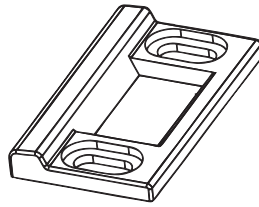
### Strikes

---

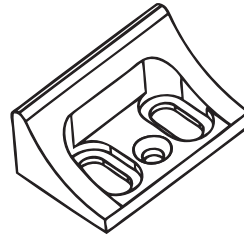
All required strikes are provided with exit devices. Replacement strikes are available as follows:



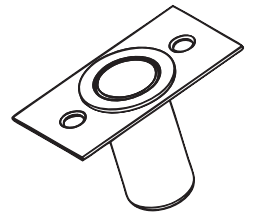
**99** Surface - non-roller strike for V40 Series Rim Devices



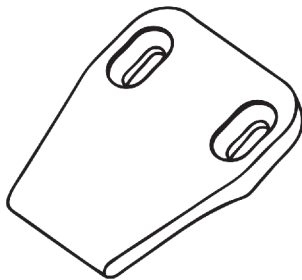
**98** Semi-Mortise - applied strike for V40NS Series Rim Devices



**96** Top Surface - non-roller top strike for V50/51 Series Surface Vertical Rod Devices



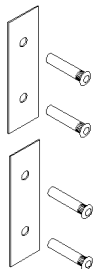
**96** Bottom Dust Proof Strike - for V50 Series Surface Vertical Rod Devices



**94** Double Door Strike for V40 Series Rim Devices

### Through Bolt Mounting Plate Kit for SVR

---



**TMP1** - Through Bolt Mounting Plate Kit for use when replacing surface vertical rods on doors that are damaged or to cover existing exterior holes from previous device.

Kit is standard with two 630 finish plates and four 1/4-20 sex bolts. Contact factory for other finishes.

### Cylinders

---



**MC65** Mortise Cylinder - 1-1/8" 6-pin, keyed 5-pin. Available keyed alike or keyed differently. Finishes available: 605, 606, 612, 613, 626



**RC65** Rim Cylinder - 6-pin, keyed 5-pin. Available keyed alike or keyed differently. Finishes available: 605, 606, 612, 613, 626



**IC7** Interchangeable core cylinder housing - 7-pin, factory installed

### Security Screw Kits

Contains an assortment of screw sizes and types for securing covers in place

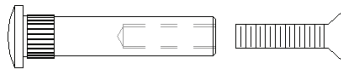
**SSK3** - Security Screw Kit contains all screws and driver bits to secure the cover, end cap and the strike of the exit device.

Additional Security Driver Tips:

**TT-10** - Driver tip for 6-32 Undercut FH screws

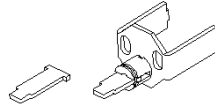
**TT-27** - Driver tip for 1/4-20 and #14 screws

### Sex Nut Kit



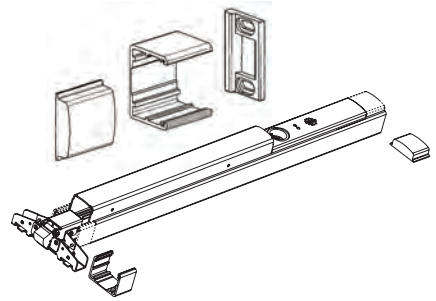
**SN1** - Sex Nut Kit 1/4-20 — 2 per package

### Cylinder Bracket Kit



**CBK** - Cylinder Bracket Kit consists of bracket and adjustable tailpiece assembly for rim cylinder used with other manufacturer's outside trim

### Narrow Stile Door Kits



**NSK** - Narrow Stile Door Kit converts standard Value Series panic device into narrow stile panic device. Required when Value Series exit devices are applied to 36" and 48" glass doors with minimum 2" stiles.

### Cylinder Collars

Cylinder Collars for 5 and 6 pin cylinders are provided with all outside trim.



**CCS** 7/16" Short Cylinder Collar - Cylinder collar for 5 and 6 pin cylinders. Finishes available: 605, 606, 612, 613, 625, 626



**CCL** 11/16" Long Cylinder Collar - Cylinder collar for 7 pin interchangeable core cylinders. Finishes available: 605, 606, 611, 612, 613, 625, 626

### Tools



**HDK** - Hex Dogging Key - Heavy-duty with overmolded ABS, dogging key is ergonomically designed to resist repetitive motion injuries.

### Rod Cover (V50/51 Only)



**RC** - Rod Covers (630 Stainless Steel)

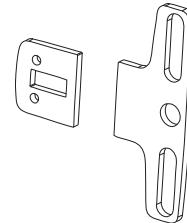
(Top Rod cover shown)

### Bolt Guard (V50 Only)



**BG** - Bottom Bolt Guard - 12" ADA ramped cover (630 Stainless Steel)

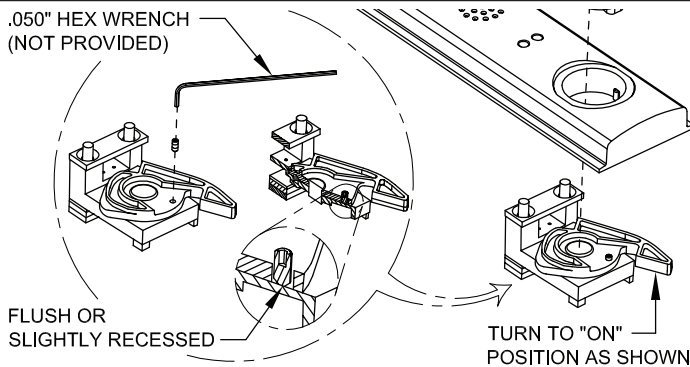
### Glass Bead Kits



For use on doors with raised glass beads. Each kit contains one 1/4" shim set. Specify Kit number

Kit Number **GB15** For use with: V40 Series

### Key Stop Kit (Set Screw) Alarm always armed when key is removed



For weatherized gate accessories, see gate plate page

Cancer & Reproductive Harm - [www.detex.com/prop65](http://www.detex.com/prop65)

Where Trust is Built™  
**DETEX**®  
 Life Safety, Security and Security Assurance

Detex Corporation  
 302 Detex Drive  
 New Braunfels, Texas 78130-3045 USA  
 PH. (830) 629-2900  
 (800) 729-3839  
 FAX (800) 653-3839  
<http://www.detex.com>  
 USA Sales:  
[marketing@detex.com](mailto:marketing@detex.com)  
 International Sales:  
[export@detex.com](mailto:export@detex.com)

# VALUE SERIES®

## Accessories Slide-In Filler Kits

Slide-In Filler Kits allow changes or additions to the device after initial installation. Specify device series and size.



**SIF-VS-EB** - Slide-In Filler Kit with 100-plus decibel directional piezo alarm provides reliable security and instantaneous alarm. Requires mortise cylinder with standard Yale cam (sold separately).



**SIF-VS-EBxW** - Slide-In Filler Kit provides weatherized alarm for outdoor or exterior door applications. Includes both remote bypass and remote signaling capabilities. Requires mortise cylinder with standard Yale cam (sold separately).



**SIF-VS-EX** - The EX Slide-In Filler provides a normally-closed or normally-open contact that can be used for a variety of different uses. Available in hex dogging (shown), cylinder dogging or less dogging.



**SIF-VS-EX-W** - The EX-W Slide-In Filler provides a normally-closed or normally-open contact that can be used for a variety of different uses in moist, outdoor or other such applications.



**SIF-VS-HD** - Hex Key Dogging Slide-In Filler Kit provides 1/8 turn dogging and includes dogging key with over-molded, ergonomic grip.




**SIF-VS-CD** - Cylinder Dogging Slide-In Filler Kit provides 1/8 turn dogging. Requires mortise cylinder with standard Yale cam (sold separately)



**SIF-VS-LD** - Less Dogging Slide-In Filler can be used on devices manufactured with dogging when this feature may no longer be required.

Where Trust is Built™  
**DETEx**®  
Life Safety, Security and Security Assurance

Detex Corporation  
302 Detex Drive  
New Braunfels, Texas 78130-3045 USA  
PH. (830) 629-2900  
(800) 729-3839  
FAX (800) 653-3839  
<http://www.detex.com>  
USA Sales:  
[marketing@detex.com](mailto:marketing@detex.com)  
International Sales:  
[export@detex.com](mailto:export@detex.com)

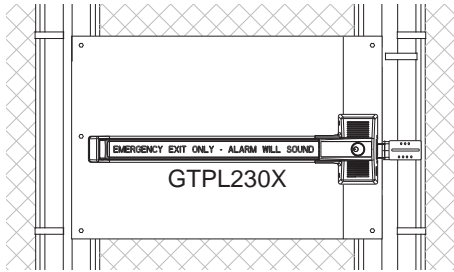
 Cancer & Reproductive Harm - [www.detex.com/prop65](http://www.detex.com/prop65)

# Weatherized Accessories

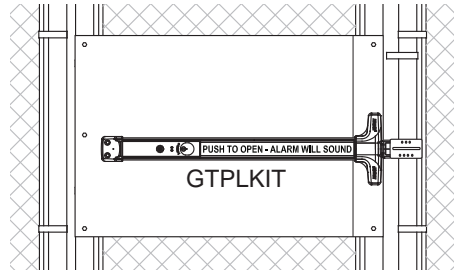
## Gate Plate & Accessories

The mounting plate adjusts to fit different gate sizes. The adjustable receiving latch makes installation easy. The lockbox makes it possible to gain access from outside the gate by using a key. All accessories are available in silver or black finish.

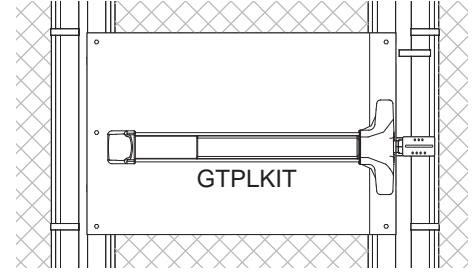
### Push Side



ECL-230X-W shown

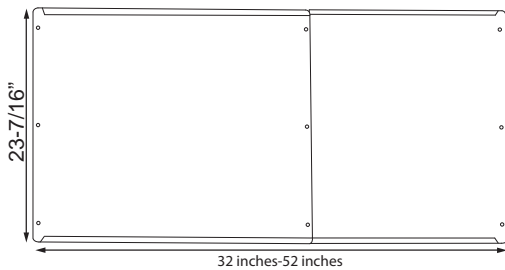


Value Series V40xEBxW shown



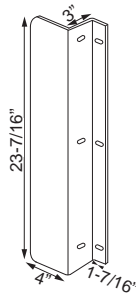
Advantex 10xW Series shown

### GTPL Adjustable Gate Plate



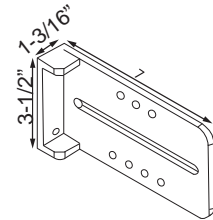
- Fits Single Gates 32" - 52" wide
- Adjustable to fit wide variety of single gates
- Sleeved together
- Fits square or round gate frames

### GTPLGRD Gate Latch Protector



- Provides added security
- For use on existing gate plate application where gap is larger than 1"

### GTSTKBKT Strike Latch Receiver Bracket



- Includes stainless steel U-bolt, nuts, tek-screws
- 1/4" steel with powder-coat finish
- Doubles as gate stop
- Accommodates 99 strike for Advantex 10/40 Series and V40 Series

### GTPLKIT

For Advantex and Value Series applications.

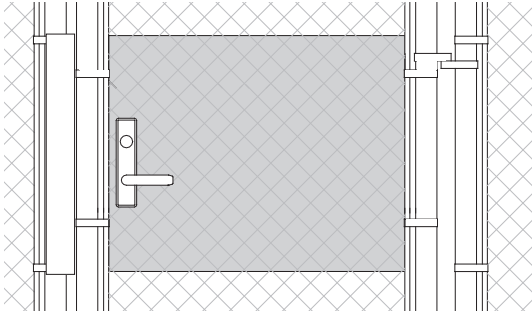
The kit includes:  
 GTPL - Adjustable Gate Plate  
 GTPLGRD - Gate Latch Protector  
 GTSTKBKT - Strike Latch Receiver Bracket

### GTPL230X

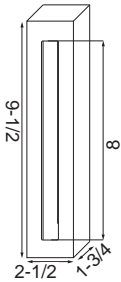
For ECL-230X applications.

The kit includes:  
 GTPL - Adjustable Gate Plate  
 GTPLGRD - Gate Latch Protector  
 GTSTKBKT - Strike Latch Receiver Bracket  
 104345 - Adapter Plate

08GSN

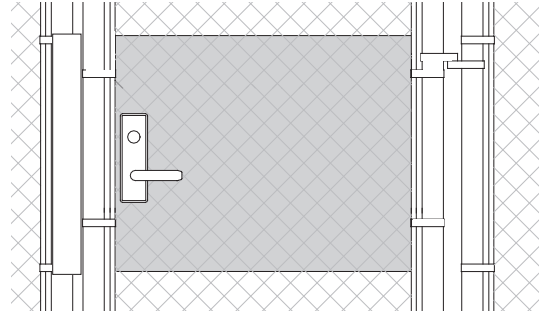


**Spacer for Narrow Lever Trim**

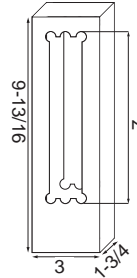


- For use with 02/08/09/14DN trims
- Narrow lever trim sold separately (specify handing)
- Extends for use with Detex spring-loaded tailpiece
- For use with Advantex and Value Series devices

08GS

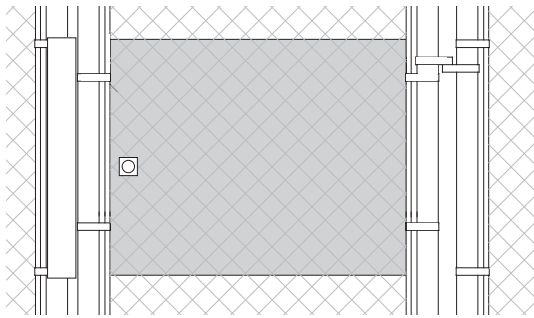


**Spacer for Wide Lever Trim**

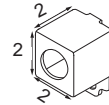


- For use with 02/08/09/14D trims
- Wide lever trim sold separately (specify handing)
- Extends for use with Detex spring-loaded tailpiece
- For use with Advantex and Value Series devices

03GS

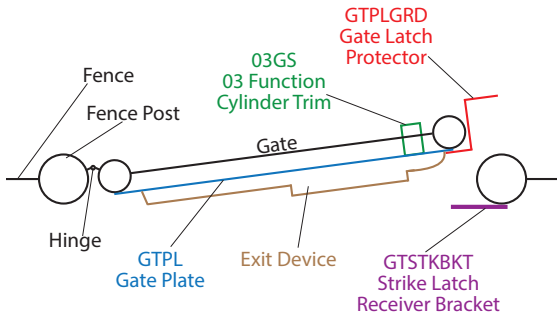


**03 Function Cylinder Trim**



- Optional accessory
- For use with rim cylinder on gates
- Rim cylinder required (sold separately)
- For use with Advantex, Value Series and ECL devices

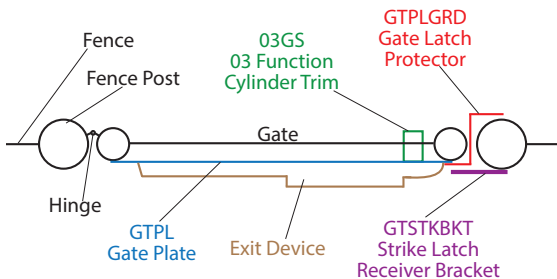
**Overhead View - Gate Open**



**Finishes**

- Silver (Std.)
- Black (Specify -BLK)

**Overhead View - Gate Closed**



Detex Corporation  
 302 Detex Drive  
 New Braunfels, Texas 78130-3045 USA  
 PH. (830) 629-2900  
 (800) 729-3839  
 FAX (800) 653-3839  
 http://www.detex.com  
 USA Sales:  
 marketing@detex.com  
 International Sales:  
 export@detex.com

Cancer & Reproductive Harm - [www.detex.com/prop65](http://www.detex.com/prop65)



# EXIT CONTROL LOCKS ACCESSORY

## BE-961

### Battery Eliminator

The BE-961 Battery Eliminator is designed to power security devices such as the Detex ECL-230D, ECL-230X Series, ECL-600 battery powered series exit control locks and V40 alarmed rim exit device without reliance on batteries. Converts AC power to DC for supplying battery-operated devices.



BE-961-1

BE-961-2

### Benefits

- Powers security devices without reliance on batteries
- Eliminating the need to annually change 9 volt batteries, saves money, prevents unnecessary battery disposal and creates a greener process
- May be installed on the wall adjacent to the protected door quickly and easily
- 10' Flexible armored cable connects the battery eliminator to the security device without interfering with door use
- LED provides visual status of power
- For extra security, the connecting cable may be concealed in the door using a continuous electric hinge

### Features

- Available Battery Eliminator Power Supplies:
  - BE-961-1** = 120VAC transformer to 12VAC, 12VAC to 9VDC circuit board  
Note: Powers up to three 9V battery devices
  - BE-961-2** = 120VAC transformer to 12VAC, 12VAC to 9VDC circuit board includes secure power/supervisory loop (cutting 9V power will sound BE-961-2 alarm)  
Note: For use with ECL products **only**
  - BE-961-5** = Converts 12VAC to 9VDC
  - BE-961-6** = Converts 24VAC to 9VDC  
Note: Conduit and transformer for BE-961-5 and BE-961-6 sold separately
- The BE-961-2 includes an internal alarm which sounds at 95dB if the secure power feed wires are cut or when the ECL unit sounds (for use with ECL products only)
- 106595-5 - Battery Eliminator in NEMA enclosure - Suitable for outdoor use - Used to power V40 EB W, 230X-W, EAX-500W - Converts 24VAC to 9VDC  
Dimensions: 10-1/4"x13-1/2"x6"

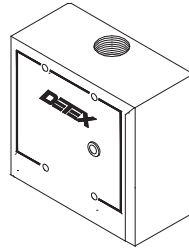


## Technical Information

- 9VDC outputs, jumper selectable to the security device
- BE-961-1 and BE-961-2 come with an external transformer
- Line input transient suppression is a standard feature
- BE-961-2 is not for use with EAX and V40 product lines
- Current Output Capacity - .5 Amp

## Dimensions

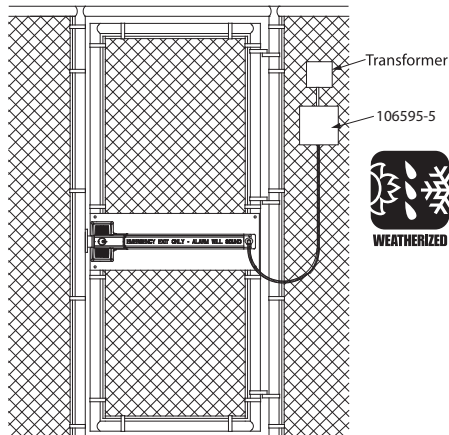
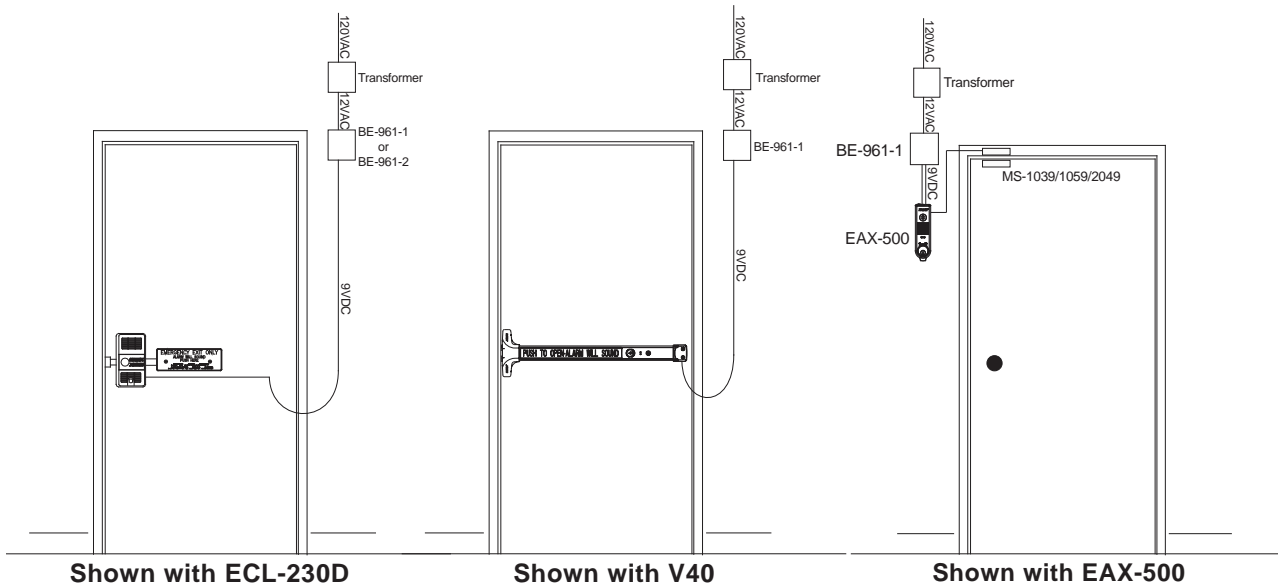
- 4-5/8" wide x 4-5/8" long x 2" deep
- Standard cast aluminum case



## Detex Limited Warranty

3 Year Limited Manufacturer's Warranty

## Riser Diagram



Shown with ECL-230X-W

Where Trust is Built™  
**DETEx**®  
 Life Safety, Security and Security Assurance

Detex Corporation  
 302 Detex Drive  
 New Braunfels, Texas 78130-3045 USA  
 PH. (830) 629-2900  
 (800) 729-3839  
 FAX (800) 653-3839  
<http://www.detex.com>  
 USA Sales:  
[marketing@detex.com](mailto:marketing@detex.com)  
 International Sales:  
[export@detex.com](mailto:export@detex.com)

⚠ Cancer & Reproductive Harm - [www.detex.com/prop65](http://www.detex.com/prop65)

## **Technical Information Contents**

**Fasteners**

**Security Screws**

**Sex Bolts**

**Handing**

**Minimum Door Widths Chart**

**Installation**

**Cylinder Requirements**

**Mortise Cylinder Lengths**

**Cylinder Collars**

**Narrow Stile Door Kits**

**Fasteners**

Door manufacturer should be consulted for proper mounting fasteners. #14 x 1-1/4 PPH sheet metal screws and 1/4-20x 1" PHP machine screws are furnished standard on all devices and strikes. Fasteners of proper length for door thickness are furnished with devices where trims are through bolted. C and CN Pull trims are furnished with 1/4-20 through bolt for attaching bottom of pull handle.

**Security Screws**

For added security, pin head screws are available.

SSK3 Security Screw Kit for Rim Devices Contains:

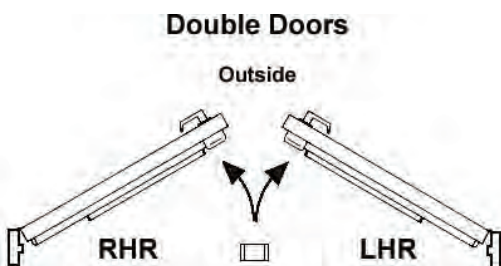
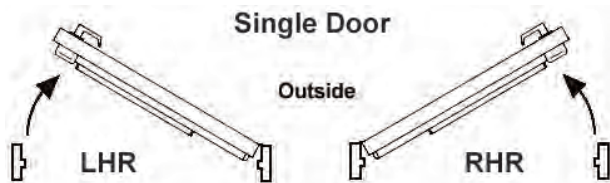
- 2 MS 10/32, FH, Undercut
- 4 MS 6/32 FH
- 2 MS 1/4-20 BH
- 2 SMS #14 x 1" BH Type AB
- 4 Tamper Bits required for above

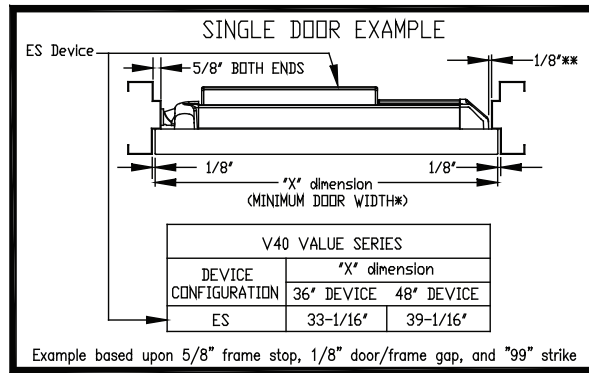
**Sex Bolts**

If sex bolts are required, see chart below for quantity required for each device.

SN1 kit contains 2 each 1/4-20 bolts. Specify finish.

Function or Trim	Rim Devices
	V40 Series
01	4
02, 03	2
08, 09 & 14	2

**Handing**



\*\* DOOR SHOWN WITH 1/8" CLEARANCE FOR END CAP, SOME WEATHERSTRIP REQUIRES ADDITIONAL CLEARANCE. ADDITIONAL CLEARANCE WILL REQUIRE WIDER DOORS.

Charts are based upon 5/8" frame stop, 1/8" door/frame end gap, and "99" strike standard

**Minimum Door Widths/Cut Down Chart**

V40 VALUE SERIES - STANDARD SILE RIM (99 STRIKE)		
DEVICE CONFIGURATION	"X" dimension	
	3-0 DEVICE	4-0 DEVICE
EB	33"	39"
EH	33"	39"
EI	33"	39"
EM	34-3/4"	40-3/4"
EE	34-3/4"	40-3/4"
ED	34-1/8"	40-1/8"
ER	34-3/4"	40-3/4"
ES	33"	39"
EX	29"	35"
CD	29"	35"
HD	29"	35"
LD	28-3/8"	34-3/8"

- 1) For single door frames with no stop, subtract 1-1/4" from minimum door width
- 2) For Mullion application add 7/16" to each door width
- 3) Standard strike for V40 Series is 99 strike, backset is 2-1/4"
- 4) Standard strike for V40NS Series is 98 strike with no stop, backset is 1-1/8"

**Minimum Door Widths Cont'd**

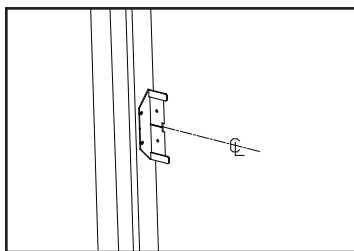
V50 VALUE SERIES - SVR WITH 5/8" STOPS, BACKSET = 1-1/8"		
DEVICE CONFIGURATION	"X" dimension	
	3-0 DEVICE	4-0 DEVICE
EB	32"	38"
EH	32"	38"
EI	32"	38"
EE	33-3/4"	39-3/4"
ED	33-1/8"	39-1/8"
ER	33-3/4"	39-3/4"
ES	32"	38"
EX	28"	34"
CD	28"	34"
HD	28"	34"
LD	27-3/8"	33-3/8"

1) For double door frames without stops, subtract 5/8" from minimum door width

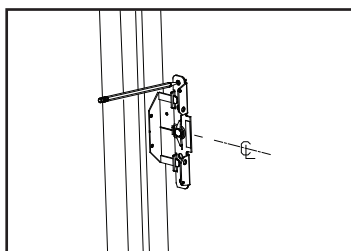
**Installation**

The patented Value Series mounting plate and strike locator system allows:

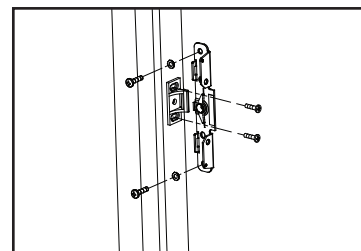
- Quick and easy installation by one person
- Accurate backset every time
- No paper templates
- Square up to door and frame made easy



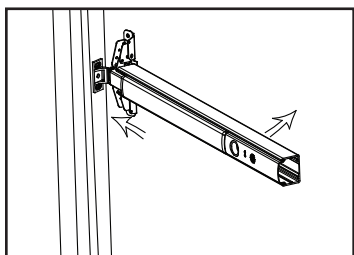
**Step 1**



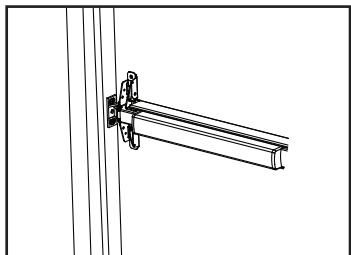
**Step 2**



**Step 3**



**Step 4**



**Step 5**



**Cylinder Requirements**

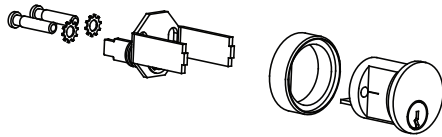
---

Product	Rim Cylinder	Mortise Cylinder All Use Standard (Yale) Cam
Cylinder Dogging		X
Electrified Options EB, EI, EM		X
All 03 Function Trims	X	
All 08 & 09 Function Trims		X

**03 Function Detail**

---

All Value Series 03 Function outside trims are supplied with a self-adjusting tailpiece that correctly fits into the cam on the mounting plate.

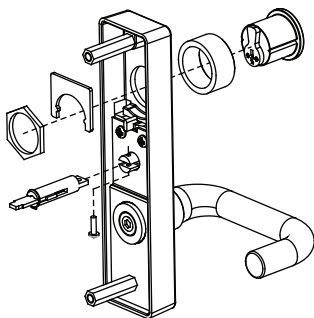


Tailpiece Used	Door Thickness
	1-3/4" and 2" Thick Doors
	2-1/4" Thick Doors

Rim cylinder tailpieces are cut to fit into this tailpiece making the cut less critical.

**08 & 09 Function Detail**

---



Lever trims come with the adjustable tailpiece which is attached to the escutcheon.

**Mortise Cylinder Length**

---

The cylinder assembly in the slide-in filler used for both the cylinder dogging and electrified options are supplied with shims to accommodate cylinder lengths from 7/8" to 1-1/4".

Mortise cylinder



**Cylinder Collars**

---

See Accessories for Cylinder Collar lengths.

**Narrow Stile Door Kits**

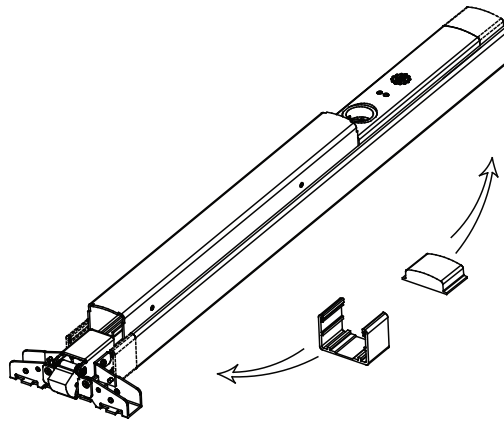
The Detex Value Series Panic Device (V40 Series) is available in two standard lengths, 36" and 48" and is applicable to most standard flush, medium and wide stile doors, 3' to 4' wide. For 2" narrow stile doors, order V40xNS.

**Detex V40 Narrow Stile Door Kits**

<u>Part Number</u>	<u>Finish</u>	<u>Description</u>
NSK1	628	Clear Anodized Aluminum
NSK2	711	Black Anodized Aluminum

Kit includes #98 semi-mortise strike, conversion pieces and instructions - See illustration below.

For meeting unexpected needs in the field the Narrow Stile Door Kit or NSK is available and converts a standard V40 to narrow stile in less than 5 minutes. This is just another example of the flexibility of the Detex product line.

**Narrow Stile Mounting Plates**

<b>Mounting Plate</b>	<b>V40 Series Functions</b>
BP2	01, 02, 08, 09, 14
BP8	03 only