

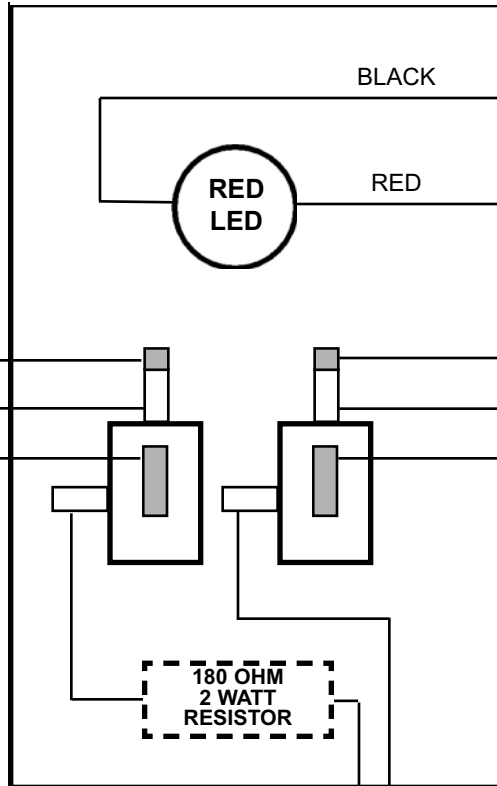
INSTALLATION INSTRUCTIONS

MODELS TS-2-2, TS-3-2, TS-4-2, TS-5-2



U.L. FILE SA32686 CONFORMS TO U.L. STANDARD 294 FOR ACCESS CONTROL

REAR VIEW OF PLATE



RED LED 12/24 VOLTS DC
 RED LED ONLY ON TS-3, TS-5
 LED CURRENT RATING
 9 MA. @ 12 VDC, 19 MA. @ 24
 NEGATIVE (BLACK) LEAD
 POSITIVE (RED) LEAD

SWITCH 1 CONTACTS
 RATED 2A. @ 12 - 28 VDC
 N/C (RED) LEAD LOWER LUG
 N/O (BLUE) LEAD UPPER LUG
 COM (WHITE) LEAD TOP LUG

SWITCH 2 CONTACTS
 RATED 2A. @ 12 - 28 VDC
 (RED) LEAD LOWER LUG N/C
 (BLUE) LEAD UPPER LUG N/O
 (WHITE) LEAD TOP LUG COM

FOR 24 VOLT LAMP OPERATION
 ADD 180 OHM 2 WATT RESISTOR
 IN SERIES WITH ONE GREEN LEAD.
 INSULATE RESISTOR TO PREVENT
 SHORTING.

CURRENT DRAW OF BULB
 71 MA. @ 12 OR 24 VOLTS
 AC/DC
 INCANDESCENT LAMP RATED
 25,000 HOURS.
 REPLACEMENT BULB #658

**MOUNT WALLPLATE IN A
 VERTICAL POSITION**
 MODELS TS-2-2, TS-3-2,
 TS-4-2 & TS-5-2
 SHOULD BE MOUNTED IN A
 2.5 INCH ELECTRICAL BOX

INTERNAL LAMP
 LAMP (GREEN) LEAD
 LAMP (GREEN) LEAD



ALARM CONTROLS CORPORATION

19 BRANDYWINE DRIVE P.O. BOX 280

DEER PARK, NY 11729

PH: 1 800 645-5538 1 631 586-4220 FAX ; 1 631 586-6500

WWW.ALARMCONTROLS.COM EMAIL: INFO@ALARMCONTROLS.COM