

1 Disassemble dummy trim

Note: For 9K double dummy trim, disassemble the inside trim assembly only. There is no need to disassemble the outside trim.

For 9K dummy trim

- 1 Disengage the lever by pushing the pointed end of the spanner wrench into the hole on the lever. Slide the lever off. See Figure 1.

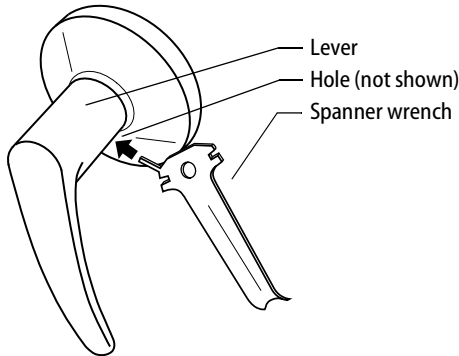


Figure 1 — Removing the lever

- 2 Unscrew the rose from the sleeve.
- 3 Using a spanner wrench, pry the rose from the liner as shown in Figure 2.

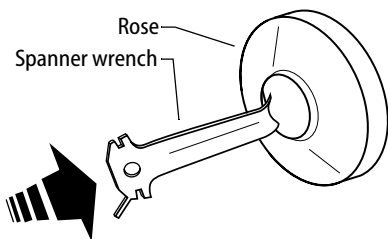


Figure 2 — Prying the rose from the liner

For 7KC dummy trim

- Disengage the lever by pushing the lever keeper tool into the hole on the lever and sliding the lever off of the sleeve. See Figure 3.

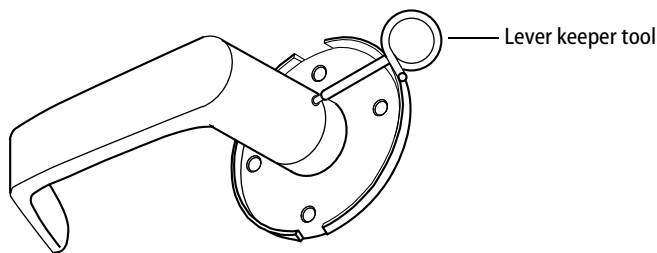


Figure 3 — Removing the 7KC lever

2 Mark and drill holes

- 1 Draw a height line across the face of the door. The suggested height is 40-5/16" from the finished floor.

Note: For pairs of doors, install the dummy trim at the same height and backset distance from the edge of the door to the center of the lock trim on both the active and inactive doors.

For 9K dummy trim

- 2 Place the template on the door. Mark and drill the two holes. See note 1 below.

For 7KC dummy trim

- 2 Place the liner and sleeve assembly onto the door and mark the top and bottom holes.
- 3 Drill the two holes. See note 1 below.

Note 1: For single dummy trim, drill two pilot holes half way through the door with a 1/16" drill bit. For double dummy trim, drill two holes completely through the door with a 9/32" drill bit.

Note 2: 7KC dummy trim is available only as single dummy trim. For applications where 7KC dummy trim is needed on both sides of the door, use two single dummy trim units.

3 Install dummy trim

For 9K single dummy trim

- 1 Fasten the sleeve on to the door with the screws provided.

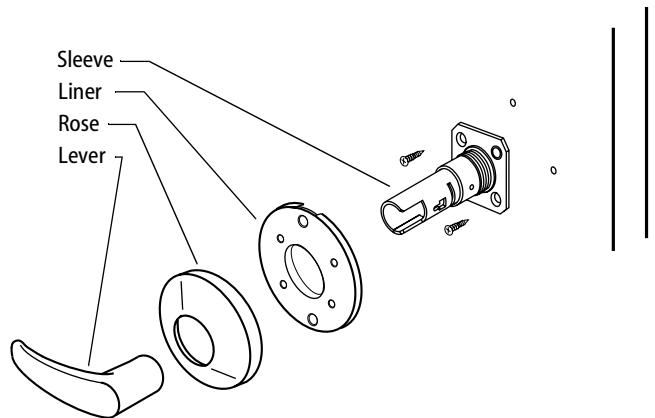


Figure 4 — Installing the 9K single dummy trim

- 2 Thread on the liner until it seats against the door. See Figure 4.

Note: Slide the liner onto the sleeve in the opposite way from the normal installation.

- 3 Press the rose over the liner until it fits flush against the door.
- 4 Press on the lever.

—Continued

For 7KC single dummy trim

- 1 Fasten the liner and sleeve assembly onto the door with the screws provided. See Figure 5.

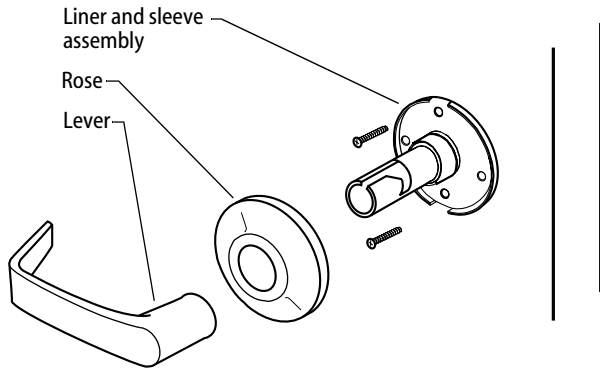


Figure 5 — Installing the 7KC single dummy trim

- 2 Press the rose over the liner until it fits flush against the door.
- 3 Press on the lever.

For 9K double dummy trim

- 1 Install the outside trim assembly with studs on the outside of the door.

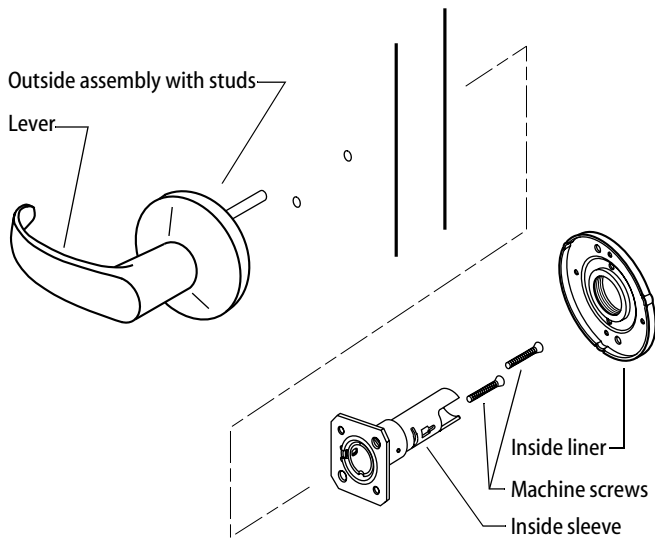


Figure 6 — Installing the 9K double dummy trim

- 2 Align the inside sleeve and secure using the screws provided.
- 3 Thread on the inside liner until it seats against the door.

Note: Slide the liner onto the sleeve in the opposite way from the normal installation.

- 4 Press on the rose over the liner assembly. See Figure 6.
- 5 Press on the inside lever.