

## Marketing Bulletin

---

<b>Brand/product</b>	Von Duprin
<b>Date</b>	Oct. 5, 2020
<b>Subject</b>	Quarterly Price Book Update Q4 2020
<b>Contact</b>	Jon Dilley

---

Page 36:

- Added QELX-AX configured devices for 33/35
- Added QELX conversion kits for 33/35

Page 38:

- Clarified that AX list adder is available for EL and QELX options but not CX for 33/35

Page 66:

- Clarified that AX list adder is available for EL and QELX options but not CX for 98/99

Page 67:

- Clarified that Insulclad or Applied Panels are Conversion Kits

Page 69:

- Added QELX-AX configured devices for 98/99
- Added QELX conversion kits for 98/99

Page 75:

- Clarified that AX list adder is available for EL and QELX options but not CX for XP98/99
- Corrected list price adder for -2SI to \$574

Page 76:

- Added QELX-AX configured devices for XP98/XP99
- Added QELX conversion kits for XP98/XP99

Page 84:

- Added list adder for antimicrobial finish
- Clarified that AX list adder is not available with QELX

Page 108:

- Added note for clarification on where to find CON Adapter Harnesses in price book
- Corrected CON list price for SP28 and SP313 to \$11

Page 111:

- Added 6111-55R for 55 rim device

Page 119:

- Removed 3/8 x 3/16 x 3/32 Washer from price book
- Added 22 Centercase Spacer

## ***Marketing Bulletin***

### Page 147:

- Updated description for CONN 7500 Adapter Harness to 6000 Strike/E/SS7500 Switch CON Adapter Harness

### Page 154:

- Added ME Lever Kits
- Clarified list price and finishes for M and ME Lever Kits
- Added list prices for 643E, US19, and SP313 finishes for M and ME Lever Kits

### Page 155:

- Updated description for E996 Wire Harness (Cable) to E996/M996 Wire Harness

### Page 163:

- Updated description for 6300 Strike Shim Kit for blade stop application to 6300 Strike Shim – 1/16"
- Updated Part No for FS Slider to 090591
- Updated Part No for FSE Slider to 090798

### Page 164:

- Updated description for QEL Extended Cable Assembly with Allegion Connect to QEL Motor Cable with QEL CON Adapter Harness and corrected list price to \$38
- Updated description for QEL CON E7500 Adapter Harness to 6000 Strike Solenoid CON Adapter Harness
- Updated Connector QEL Modified Harness to E7500 Solenoid/QEL/EL CON Adapter Harness
- Added QELX conversion kits (with Allegion Connect)

### Page 165:

- Added Chexit CON Adapter Harness

### Page 166:

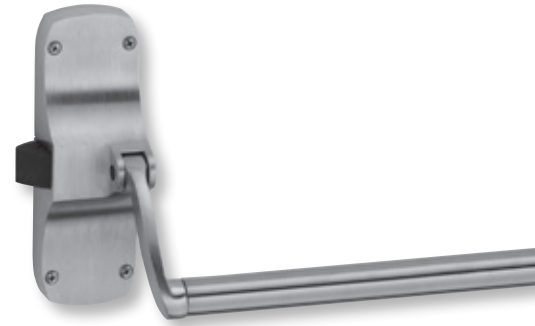
- Updated description for E996 Wire Harness to E996/M996 Wire Harness
- Updated description for CON E996 Adapter Harness to E996/M996 CON Adapter Harness
- Updated description for CON ALK/EAK Adapter Harness to ALK CON Adapter Harness
- Added note for clarification on where to find CON Adapter Harnesses in price book



**VON DUPRIN®**

# Price book 8

Effective April 4, 2020 • Rev 10/20



**This price list supersedes and cancels all previous price lists. Prices shown are subject to change without notice.**

### Administrative Offices

Allegion Administrative Office  
11819 N. Pennsylvania St.  
Carmel, IN 46032  
us.allegion.com

### Placing orders

You can place orders with Allegion via the fax number or email listed below:

Email: [Allegion\\_Orders@allegion.com](mailto:Allegion_Orders@allegion.com)  
Fax#: 1-800-999-0328

### Engineering Special Product Quotes

Email: [VDI\\_Specials@allegion.com](mailto:VDI_Specials@allegion.com)  
Fax #: 1-877-730-6248

### Customer Care

Our Customer Care Representatives are available for questions or assistance.  
You can reach them at **877-671-7011** (Press/Say 1 for Sales Support| Press/Say 2 for Product Support | Press/Say 3 for RSO) or through the email addresses listed below:

### Sales Support

[support@allegion.com](mailto:support@allegion.com)

### Technical Product Support

---

Exit Devices  
[Exits\\_TechProdSupport@allegion.com](mailto:Exits_TechProdSupport@allegion.com)

### Request for Quote

---

#### Carolinas

(North Carolina, South Carolina, Virginia)  
[Carolinas.Quotes@allegion.com](mailto:Carolinas.Quotes@allegion.com)

#### Central

(Arkansas, Illinois, Iowa, Kansas, Missouri, Nebraska, Oklahoma)  
[Central.Quotes@allegion.com](mailto:Central.Quotes@allegion.com)

#### Chicago

(Illinois-Northern, Wisconsin)  
[Chicago.Quotes@allegion.com](mailto:Chicago.Quotes@allegion.com)

#### Florida

[Florida.Quotes@allegion.com](mailto:Florida.Quotes@allegion.com)

#### Great Lakes

(New York, Pennsylvania)  
[GreatLakes.Quotes@allegion.com](mailto:GreatLakes.Quotes@allegion.com)

#### Metro New York

[Metro.Quotes@allegion.com](mailto:Metro.Quotes@allegion.com)

#### Michigan

[Michigan.Quotes@allegion.com](mailto:Michigan.Quotes@allegion.com)

#### Mid Atlantic North

(New York, Pennsylvania)  
[Mid.Atlantics.north.quotes@allegion.com](mailto:Mid.Atlantics.north.quotes@allegion.com)

#### Mid Atlantic South

(Delaware, Maryland, New Jersey)  
[Mid.Atlantics.south.quotes@allegion.com](mailto:Mid.Atlantics.south.quotes@allegion.com)

#### Midwest

(Indiana, Kentucky, Ohio, West Virginia)  
[Midwest.Quotes@allegion.com](mailto:Midwest.Quotes@allegion.com)

#### Mountain States

(Colorado, Idaho, Montana, Nevada, Utah, Wyoming)  
[Mtn.States.Quotes@allegion.com](mailto:Mtn.States.Quotes@allegion.com)

#### New England

(Connecticut, Main, Massachusetts, New Hampshire, Rhode Island, Vermont)  
[NewEngland.Quotes@allegion.com](mailto:NewEngland.Quotes@allegion.com)

#### North Central

(Minnesota, North Dakota, South Dakota)  
[NorthCentral.Quotes@allegion.com](mailto:NorthCentral.Quotes@allegion.com)

#### Northern California

[NoCal.Quotes@allegion.com](mailto:NoCal.Quotes@allegion.com)

#### Northwest

(Alaska, Oregon, Washington)  
[Northwest.Quotes@allegion.com](mailto:Northwest.Quotes@allegion.com)

#### South

(Alabama, Georgia, Louisiana, Mississippi, Tennessee)  
[South.Quotes@allegion.com](mailto:South.Quotes@allegion.com)

#### Southern California

(California-Southern, Hawaii)  
[SoCal.Quotes@allegion.com](mailto:SoCal.Quotes@allegion.com)

#### Southwest

(Arizona, New Mexico)  
[Southwest.Quotes@allegion.com](mailto:Southwest.Quotes@allegion.com)

#### Texas

[Texas.Quotes@allegion.com](mailto:Texas.Quotes@allegion.com)

Sales Policy	3
General Terms and Conditions of Sale and Service	4-7
Finishes	8
Standard Lever Suites	9
M Collection Levers	10
General Information	11
How to Order	12-13
Special Products	14-18

## Exit Devices

22 Series	20-24
33A/35A Series	25-38
55 Series	39-45
88 Series	46-52
98/99 Series	53-70
XP98/XP99 Series	71-76
XP98/XP99 Series	77
Pool Exit Hardware	78
94/95 INPACT Series	79-84
2670 Guard-X Series	85-86

## Exit Devices

-2 - Double Cylinder	66, 75
-2SI - Double Cylinder with Security Indicator	66, 75
AM - Anti-Microbial Finish	38, 68, 84
AX - Accessible Device	24, 38, 66, 75, 84
CD - Cylinder Dogging	35, 66, 75
CDSI - Cylinder Dogging w/Indicator	35, 66, 75
CI - Cylinder Dogging Indicator	66, 75
CON - Connectors	24, 38, 70, 73, 108
Crossbar Options	52
CS - Cable System	37, 68
CX - Chexit	37, 70, 77
DI - Dogging Indicator	66, 75
E - Electric Unlocking	38, 52, 70
EL - Electric Latch Retraction	36, 69, 76
Flush Transom	52
HDSI - Hex Dogging w/Indicator	35, 66, 75
HH - Hurricane	35, 66
INS - Insulclad or Applied Panel	36, 67
LBR - Less Bottom Rod	24, 38, 67, 80
LD - Less Dogging	24, 35, 66, 75
LX - Latchbolt Monitoring	24, 26, 36, 69, 76, 84
PL - Pullman Latches	37, 52, 67
PN - Pneumatic	35, 69
QEL - Quiet Electric Latch Retraction	36, 69, 76, 84
RX - Request to Exit	24, 36, 52, 69, 76
SD - Special Center Case Dogging	66, 69, 75, 76
SG - Safety Glow	35, 67
SS - Signal Switch	36, 69, 84, 88
Touchbar Options	67
WH - Weep Holes	35, 68
WS - Windstorm	66

## Exit Locks - Latching Hardware

GUARD-X	84-85
---------	-------

## Accessories

Dummy Cross Bars	88-88
Strikes	89
Trims	90-94
Control Trims	95-96
Cylinder Controls	97
Cover Plates	98
Cylinders	98
Glass Bead Kits	98
Mullions	99-100
Rod and Latch Guards	100
Mortise Locks	100
237 Two Point Latch	101
Extension Rod Kits	102
One Piece Top Rod Kits	102
Security Screw Packages	103
Sex Bolts	104

## Electrical Products

Alarm Kits/Mortise Locks	106
Switches/Delayed Exit System/Interface Boxes/Relays	107
Allegion Connect/Electric Power Transfers	108
Power Supplies	109
Electric Strikes	110-112
Monitor Strikes/Schlage Electronic Trim	112

## Parts

Numerical Index	114-117
22 Series	118-119
33A/35A Series	120-125
33/3550AWDC Series	126
330/350 Series	127
55 Series	128-130
88 Series	131-136
98/99 Series	137-142
98/9949 Series	143
98/9950WDC Series	144
XP98/99 Series	145
94/95 INPACT Series	146
7500 Series Mortise Lock	147
Controls	148-150
Trims	151-156
Mullions	157
Screw Packs/ Shims/ Miscellaneous	158
Maintenance Kit and Replacement Packages	159
Electric Strikes	160-164
Latch Retraction Kits, Parts	164
Chexit and Switch Parts	165
E-trim Solenoids, Alarm Kit Parts, Allegion Connect Harnesses	166
GUARD-X	167
Service Replacement Items	168
Part Number Cross Reference	169-170

Wiring Diagrams	171
-----------------	-----

# Sales Policy

**General:** The Company will comply with applicable laws and regulations in effect on the date of the Company's proposal as they may apply to the manufacture of the Equipment. Compliance with any local governmental laws or regulations relating to the location, use or operation of the Equipment, or its use in conjunction with other equipment, shall be the sole responsibility of the Purchaser.

**Title and Risk of Loss:** Title and risk of loss or damage to the Equipment shall pass to the Purchaser upon tender of delivery F.O.B. manufacturing facility unless otherwise agreed upon by the parties, except that a security interest in the Equipment shall remain in the Company, regardless of mode of attachment to realty or other property, until full payment has been made therefor. Purchaser agrees upon request to do all things and acts necessary to perfect and maintain said security interest and shall protect Company's interest by adequately insuring the Equipment against loss or damage from any cause wherein the Company shall be named as an additional insured.

**Minimum Charge:** Minimum invoice is \$50.00 net product value, excluding freight charges.

**Non-Standard and Special Items:** Contact factory for availability and price of non-standard finishes and special items not listed in this price book. Additional charges may be accrued for product modification or engineering services.

Additional charges may be necessary for furnished material for doors, frames, and rabbeted frames, other than standard. Submit door and frame detail if quotation is desired 1-3/4" and 2-1/4" are considered standard.

**Purchase Authorization:** Prior credit approval will be required from all purchasers. Possession of this price book does not imply the right to purchase from Von Duprin, Inc. Authorized Von Duprin, Inc. distributors will be required to maintain a minimum of \$25,000.00 in net purchases per year to be maintained as a direct factory account.

**Patents:** The Company shall defend any suit or proceeding brought against the Purchaser and shall pay any adverse judgment entered therein so far as such suit or proceeding is based upon a claim that the use of the Equipment manufactured by the Company, and furnished under this contract constitutes infringement of any patent of the United States of America, providing the Company is promptly notified in writing and given authority, information and assistance for defense of same; and the Company shall, at its option, procure for the Purchaser the right to continue to use said Equipment, or to modify it so that it becomes non-infringing, or to replace the same with non-infringing equipment, or to remove said Equipment and to refund the purchase price. The foregoing shall not be construed to include any agreement by the Company to accept any liability whatsoever in respect to patents for inventions including more than the Equipment furnished hereunder, or in respect of patents for methods and processes to be carried out with the aid of said Equipment. The foregoing states the entire liability of the Company with regard to patent infringement.

# Terms and Conditions

## Allegion General Terms and Conditions of Sale and Service

**1. GENERAL/ACCEPTANCE.** (a) This Agreement contains the only terms and conditions by which Company will quote and sell Deliverables to Customer; (b) The terms "purchase order" or "order" for the purposes of this Agreement include the term "request for quotation," as appropriate; (c) This Agreement supersedes all pre-printed or boilerplate terms and conditions set forth in any purchase order issued by Customer; (d) No reference herein to Customer's purchase order will in any way incorporate different or additional terms and conditions, all of which Company hereby expressly objects to; (e) **ANY ACCEPTANCE BY COMPANY OF CUSTOMER'S PURCHASE ORDER IS EXPRESSLY CONDITIONED ON THE CUSTOMER'S ASSENT TO AND ACCEPTANCE OF THE TERMS AND CONDITIONS CONTAINED IN THIS AGREEMENT;** (f) Company reserves the right to decline any order, in whole or in part, for any reason.

### 2. ORDERS.

a. **Order Processing.** When Customer wishes to place an order for Deliverables, it will deliver to Company a purchase order. All such purchase orders must (i) be in a written format acceptable to Company, (ii) be legible, (iii) include a purchase order number, (iv) include Customer's account number, invoice address, ship to address, shipping method, shipper's letter of instruction for international shipments, part number, pricing, and designated contact information, (v) include, if applicable, any special configuration ID numbers, necessary programming information, special factory instructions, and requested specifications regarding a particular finish, handling, design, backset, or strike, (vi) reference any applicable pricing discounts under an ongoing buying program or based on a written quote from Company, along with the applicable buying program number or quotation number, and (vii) not combine buying program and quoted product on the same order.

b. **Minimum Orders.** In the event the order value does not meet any required minimum net Deliverable value, Company may, at its sole discretion, (i) increase the quantity of items in the order to meet the minimum net Deliverable value requirement; (ii) apply a minimum order charge; (iii) reject the order, or (iv) waive the requirement, provided that the waiver of a requirement for one order shall not constitute a waiver of the requirement for any future orders.

c. **Acceptance of Purchase Orders.** Company will endeavor to (i) acknowledge receipt of each purchase order issued in accordance with this Agreement, and (ii) notify Customer whether Company accepts or rejects the purchase order. If Company fails to accept or reject a purchase order within a reasonable time period, such failure to respond will be deemed a rejection of the entire order. Orders that combine buying program and quoted product on the same order will be routed back to your local RSO office in order to review subject purchase order.

d. **Changes to Order/ Cancellation of Orders.** Additional terms and conditions regarding order changes and cancellations are available on the Allegion customer website, **WHICH TERMS ARE EXPRESSLY INCORPORATED HEREIN BY REFERENCE.** Unless otherwise provided herein, Customer acknowledges that (i) requesting a Change Order may cause a delay in the scheduled shipment date, a longer lead time or result in a new scheduled shipment date; (ii) Orders may not be changed after 48 hours of Company's order acknowledgment; (iii) After 48 hours of Company's order acknowledgment, all changes to an accepted purchase order will be subject to a Change Order charge of 25% of the net Deliverable value, plus the cost of labor and fabrication or raw material that Company incurred prior to the receipt of the Change Order from Customer, or that may be required due to the Change Order; (iv) the requested change may result in additional charges for labor, fabrication, and raw material, and (v) if Customer cancels an order or portion of an order that includes Deliverables that have been manufactured and prepped for shipping, a 45% restocking fee will apply. Notwithstanding the foregoing, Customer cannot change or cancel credential orders, reader orders, biometrics orders or any non-cataloged, special, Custom or nonstandard items once they have been placed. All cancelled orders for a Non Recurring Expense (NRE), credential orders, reader orders, biometrics orders, and/or Custom orders will be subject to a cancellation charge of 100% of the acknowledged price.

e. **Add-ons.** Add-on orders will not be accepted. Additions to orders will be entered as separate stand-alone orders and must qualify for all terms of sale, including discounts, on an individual basis.

f. **Fast-Track Orders.** No changes or cancellations will be accepted on the 24-Hour Fast Track Program. For 3-day Fast Track orders, changes and cancellations may only be requested by Customer within 24 hours of Company's order acknowledgment if the order has not shipped. For 5-Day Fast Track orders, changes and cancellations may only be requested by Customer if the order has not shipped and if the request is made to Company within 48 hours of Company's order acknowledgment. Return Material Authorization (RMA) for Deliverables must be processed through Fast Track Customer Service.

g. **Steelcraft Orders.** For all Steelcraft orders, changes or cancellations are allowed without penalty only if made within 48 hours of Company's order acknowledgment, and provided that the order has not shipped. Some exceptions do apply – please consult the factory. Changes are not allowed on Rapid Program orders after the order has been entered and acknowledged. After 48 hours of Company's order acknowledgment, all changes or cancellations are subject to a charge of 25% of the order. Unless otherwise specified by Company in writing, any changes to orders acknowledged by Company that affect the delivery date will be deemed a new order and will require acknowledgement by Company as provided in this Section. Additional products, features, terms and conditions regarding the Rapid Program are available on the Allegion customer website, **WHICH TERMS ARE EXPRESSLY INCORPORATED HEREIN BY REFERENCE.**

### 3. PRICES, INVOICES AND PAYMENT.

a. **Prices.** The prices in Company's Price Book are subject to change at any time, without notice to Customer. Company may charge Customer additional amounts if Customer requests special packing, marking, shipment, product modification, or engineering services. Oral prices specified by Company are null and void. Quote numbers must be referenced on Customer's purchase order in order for the Company's quoted pricing to apply. Orders that do not reference a quote number will receive buy program pricing or book net pricing. Quoted prices are for those specific products quoted for a specified job, and are subject to the Price Book in effect at the time Company receives the order.

b. **Taxes.** Prices do not include any present or future federal, state or local property, license, privilege, sales, use, excise, gross receipts or other like taxes or assessments which may result from transactions or any services performed in connection therewith. Any taxes, charges, or duties imposed by any governmental authority on the sale of Deliverables will be paid by Customer, in addition to the selling price specified by Company. Credits for U.S. sales tax applied to invoices will only be granted if valid exemption documentation is provided within 30-days of the invoice date and a case is initiated by customer service. Exemption documentation may be emailed to [sales.tax.certificates@allegion.com](mailto:sales.tax.certificates@allegion.com), this e-mail address cannot be used to request a credit for sales tax charged all such requests must be made with customer service. All certificates sent to the e-mail address must include the following information: (1) Customer account number(s); (2) Customer name; and (3) Allegion brand(s) the certificate should be applied to.

c. **Payment Terms.** Company will deliver to Customer an invoice with each shipment of Deliverables hereunder. Customer will pay all invoiced amounts within 35 days of the invoice date (subject to any early pay discounts that may be offered to Customer by Company in its sole discretion). Customer will make all payments in United States dollars. Past due invoices will be subject to a late payment service charge of 1.5% per month on any overdue unpaid balance, equivalent to 18% per annum, or the maximum rate permitted by law, whichever is less. Customer shall reimburse Company for all costs of collection, including, without limitation, reasonable attorneys' fees, for any overdue amount owed by Customer to Company, and such collection costs shall also be subject to interest charges.

### 4. QUOTATIONS.

a. **Project Quotations.** Project or new construction quotes are restricted to the specific project quoted for the quantities, finishes, and series of Deliverables referenced on the quote. Company reserves the right to require proof of sale of Company products for any quoted project.

b. **Stock Quotations.** Deliverables fulfilling stock quotations may only be used for the following: (i) Stocking of the Customer's shelves for small, quick-turn, discretionary projects, or (ii) Sale to a general contractor or installer for new construction. Stock quotations may not be used for any project containing any Company no-substitution, specified products. Deliverables purchased under Stock Quotations cannot be redistributed to other Customer branch locations or re-sold to other resellers or used for aftermarket sales, end-user annual contracts or sold over the counter to any walk in trade.

c. **General.** All quotes are subject to this Agreement, unless otherwise specified by Company, and are subject to change at any time prior to Company's acceptance of a purchase order referencing the applicable quote number. Company, its representatives and employees reserve the right, in their sole discretion and for any reason, to refuse a Customer's request to quote a price other than the standard list price, regardless of whether Company or its representatives or employees have previously quoted discounted prices to the Customer on some or all of its orders. Customer's failure to comply with this Section 4 will be considered a material breach of this Agreement, and will entitle Company to immediately terminate any purchase orders and/or Customer's ability to distribute Company's products.

**5. SECURITY INTEREST.** Customer grants Company, and Company retains, a purchase money security interest and lien on any and all of Customer's rights, title and interest in each Deliverable sold by Company to Customer, wherever located, until the invoice for the applicable Deliverable(s) is paid in full, including any late charges and costs of collection. Customer authorizes Company to, and will assist Company in, taking all necessary steps to perfect and maintain Company's interest in such Deliverables.

**6. CREDIT TERMS.** Unless Customer pre-pays all of its purchase orders in advance, its purchase orders will be subject to the credit limit and other terms of credit ("Credit Terms") set forth in Company's credit application, which Credit Terms Customer acknowledges are subject to change by Company at any time. Company reserves the right to request payment in advance of shipment or any order or to request adequate assurances for Customer's payment of an order and may withhold or stop shipment, without any liability to Company, until Customer submits payment or adequate assurance of payment.

**7. RESALE OF DELIVERABLES.** Customer agrees and warrants that it will offer Company products in support of Company-written specifications and will maintain sufficient inventory to adequately support End Users, installers, and/or general contractors' needs. Company may implement an MSRP or a resale pricing programs at any time in its sole discretion. Failure to comply with such program(s) will be considered a material breach of this Agreement, and will entitle Company to immediately terminate any purchase order and/or Customer's ability to distribute Company's products. Customer shall, at its own expense, gain and maintain sufficient knowledge of the industry and products competitive with Deliverables so as to be able to (a) explain in detail to End Users, installers, and/or general contractors the differences between the Deliverables and competing products, (b) ensure that an adequate number of trained, capable and qualified technical personnel with sufficient knowledge of the Deliverables and who have obtained all necessary licenses and permits are available to assist End Users, installers, and/or general contractors, and (c) respond to such End Users, installers, and/or general contractors with respect to the general operation and use of the Deliverables including, but not limited to, (1) acting as a liaison between the End Users, installers and/or general contractors and Company in matters requiring Company participation, (2) providing general product information and configuration support on standard protocols and features, (3) collecting relevant technical problem identification information, and (4) posting and distributing any warranty information concerning the Products in accordance with Company's instructions. Customer is responsible for all service and support resulting from the re-sale of any Deliverable to End-Users, installers and/or general contractors, examples of which may include, but are not limited to, support activities such as installation, initialization, software set-up, training, trouble-shooting, technical support and field service. In the event Customer is unwilling or unable to perform said support activities, Company reserves the right to recover from Customer any and all expenses incurred by Company to resolve the afore-mentioned End-User, installer and/or general contractor issues. Technical product training is recommended for Customer in order to fully service and support Deliverables purchased from Company that are resold to End-Users, installers and/or general contractors.

**8. DEFAULT.** If Customer is in default of payment or otherwise with respect to any purchase order or other contract with Company, Company shall have the right, in addition to all other legal remedies and without prejudice to any of its right hereunder, to defer further shipments under that or any other purchase order until such default is corrected and to declare all outstanding bills of Customer to be immediately due and payable.

### 9. INSPECTION AND DELIVERY.

a. **Inspection.** Customer will inspect all Deliverables immediately after receiving them. Customer will be deemed to have accepted the Deliverables unless Customer notifies Company in writing of any nonconformance within 10 days of delivery and provides Company written evidence reasonably documenting that nonconformance. Inspection of Deliverables at Company's facility is not permitted.

b. **Delivery.** Delivery schedules for Deliverables are based upon current production capacities, material or component availability, and inventory, and may be changed by Company as conditions require. Delivery schedules for services are based upon Company's prompt receipt of, and prompt access to, Customer's equipment and all information necessary to complete the services. In no event will any delivery date be construed as falling within the meaning of "time is of the essence." Partial delivery shall be accepted by Customer and paid for at the price and on the terms stated herein. Any partial delivery shall constitute a separate sale, and payment shall be separately made when due. If any part of a delivery hereunder is not delivered by Company in accordance with Customer's purchase order, this Agreement shall not be affected thereby.

# Terms and Conditions

**10. TITLE & RISK OF LOSS.** Unless otherwise specified by Company, (i) where the Customer is located in the United States, all Deliverables will be sold "Uniform Commercial Code, FOB Origin, Company's factory"; and (ii) where the Customer is located outside of the United States, all Products will be sold "Ex-works, Company's factory (Incoterms 2010)." In either instance, title and risk of loss will pass to Customer upon delivery to the carrier at Company's factory, provided, however, as set forth herein, Company shall retain a security interest in the Deliverables until full payment has been made therefore, and Customer agrees, upon request, to do all things and acts necessary to protect Company's interest by adequately insuring the Deliverables against loss or damage from any cause and to have Company named as an additional insured. Customer will promptly provide Company with a copy of the relevant certificate of insurance upon Company's request.

## 11. SHIPPING.

a. **Freight Charges.** Company will ship all Deliverables in accordance with Company's freight shipping guidelines, which are set forth on the My Allegion Portal ("Freight Shipping Guidelines"). **WHICH TERMS ARE EXPRESSLY INCORPORATED HEREIN.**

b. **Rush Charges.** Expedited order options are available as set forth in Company's Freight Shipping Guidelines.

c. **Packing and Marking.** Company will pack, mark, and ship Deliverables according to its standard procedures for shipment, unless the parties agree, in writing, that Company will comply with any special instructions provided by Customer. Special instructions may result in an increased price.

d. **International Shipments.** For all international orders, a Shipper's letter of instruction must be submitted in writing with the order. Failure to do so will result in the order being rejected. Complete adherence to this order requirement will be strictly enforced. Company will not be held liable for any charges resulting from delays due to lack of complete required information being supplied.

e. Once received by the Company, a purchase order cannot be combined with any other order to increase average order size as it relates to Company's Freight Shipping Guidelines. However, for orders placed under Company's FastTrack 24 Hour/5 Day Program (available for Schlage, Von Duprin, LCN and Glynn-Johnson products); ii) FastTrack 24 Hour/3 Day Program (available for Ives products); or ProExpress (available for specific product lines stated in the ProExpress price book for Falcon, Ives, Glynn Johnson, LCN, Schlage and Von Duprin products), the applicable brands or product categories may, subject to certain order requirements identified by Company, be combined on a single order to increase average order size used in Company's Freight Shipping Guidelines.

**12. CLAIMS.** All claims must be submitted in writing to Company as follows: (i) All claims for prices must be submitted within thirty (30) days from the date of invoice; (ii) All claims regarding Deliverable quantity or incorrect orders must be submitted within ten (10) days from the date of delivery; (iii) All claims for damage to Deliverables (while in the care, custody, and control of Company) must be submitted within thirty (30) days from the date of invoice; (iv) All claims for loss or damage to Deliverables while in the care, custody, and/or control of a carrier will be the responsibility of Customer, unless otherwise agreed by the parties.

**13. PRODUCT CHANGES.** Company's product policy is one of ongoing update and revision, and accordingly, Company reserves the right to change, without notice, the design of, or the process of manufacturing, the Deliverables covered by this Agreement.

**14. PRODUCT USAGE LIMITATION.** Customer agrees: (i) not to sell or use a Deliverable in any manner contrary to the manner in which the Deliverable is intended to be used; and/or (ii) not to modify the design of any Deliverable for use with another product without the prior written consent of Company.

**15. PRODUCT RETURNS.** Unless otherwise agreed by the parties in writing, Deliverables that are correctly furnished by Company per the purchase order may not be returned unless Customer receives written authorization from Company. If returns are authorized by Company, a return merchandise authorization ("RMA") number must be provided by Company. Deliverables identified under such RMA must be returned to Company within 90 days of issuance of the RMA. Such RMA number and any accompanying RMA documents, the original invoice number, and a written explanation for the return must be included with the returned Deliverables in order for Company to inspect and approve a credit for the return. **For warranty returns,** a credit in the amount of the original purchase price will only be issued if, after Company's receipt and inspection of the returned Deliverables, Company confirms, in its sole discretion, the defect is valid and approves the return. **For non-warranty returns/convenience returns,** in the event Company approves such a return, in its sole discretion, the following shall apply: (a) the total amount of Deliverables requested to be returned shall be a minimum of \$250.00; (b) a credit will be made to Customer's account in the amount of the original purchase price less freight and a handling charge of 45% of the net material on the original invoice; and (c) only Deliverables that are new, current, standard, non-obsolete, non-specialty manufactured, unused, in their original condition as at the time of sale by Company to Customer, in their original packaging and in Customer's inventory less than 180 days from the date of shipment by the Company, and not ordered as part of a master key solution may be considered by Company for return. Such credit will only be issued if, after Company's receipt and inspection of Deliverables, Company approves the return. The amount of final credit will be determined upon receipt at the factory and following Company's inspection and analysis of the condition of the returned material. Company retains the right to deny credit to anyone for any reason.

## 16. CONFIDENTIAL INFORMATION.

a. **Non-Use And Non-Disclosure.** Customer shall not use the Confidential Information of the Company except for the purpose of performing its obligations under this Agreement or exercising the rights granted herein (the "Purpose"). Customer shall protect Confidential Information of the Company from disclosure and unauthorized use in the same manner that it protects its own Confidential Information, but in no event shall such standard of care be less than reasonable care. Customer may disclose Confidential Information of the Company only to its employees who require such information for the Purpose and who are subject to confidentiality obligations at least as protective as those set forth herein.

b. **Proprietary Information and Advice.** (a) All designs, data, and specifications provided by Company are proprietary and may not be disclosed or reused by Customer without the prior written consent of Company; (b) Company assumes no obligation or liability for any advice given by Company, the results obtained, or damages incurred as a result of such advice, and all such advice is given and accepted at Customer's risk.

c. **Return.** Upon the termination or expiration of a purchase order or this Agreement or upon the request of the Company, the Customer agrees to end all further use of, to immediately return to the Company the original version of, and to delete or destroy all copies of, any and all Confidential Information of the Company.

**17. TRADEMARKS.** Except as agreed to by Company in writing, Customer agrees not to (a) use Company's name in any form of publicity; or (b) use, create, register or market, directly or indirectly, in whole or in part, Company's names, logos, brands, or any other trademarks, or names that are now or may hereafter be owned by Company, as part of Customer's corporate or business name, as part of an internet domain name, uniform resource locator (URL), or in any way connected with Customer's business, trade address or other designations. Upon termination of this Agreement or upon the request of company for any reason, any use of Company's trademarks or names will be immediately discontinued.

## 18. LIMITED WARRANTY.

**COMPANY MAKES NO OTHER WARRANTIES EXCEPT THOSE STATED IN COMPANY'S LIMITED WARRANTY IN EFFECT ON THE DATE COMPANY ACCEPTS EACH APPLICABLE PURCHASE ORDER ("LIMITED WARRANTY"). THE LIMITED WARRANTY MAY BE FOUND IN THE APPLICABLE PRICE BOOK AND ON THE ALLEGION CUSTOMER WEBSITE, WHICH TERMS ARE EXPRESSLY INCORPORATED HEREIN BY REFERENCE. COMPANY WILL MAIL CUSTOMER A HARD COPY OF THIS WARRANTY UPON CUSTOMER'S WRITTEN REQUEST. IN THE EVENT THAT CERTAIN DELIVERABLE WARRANTIES ARE NOT FURNISHED BY THE COMPANY TO CUSTOMER, COMPANY WARRANTS ONLY TO CUSTOMER THAT THE DELIVERABLES WILL BE FREE FROM DEFECTS IN MATERIAL AND WORKMANSHIP FOR A PERIOD OF 12 MONTHS FROM THE DATE OF SHIPMENT OF THE DELIVERABLES. COMPANY'S SOLE OBLIGATION UNDER THIS WARRANTY IS LIMITED TO REPAIRING OR REPLACING, AT COMPANY'S OPTION, THE DEFECTIVE DELIVERABLE, PROVIDED WRITTEN NOTICE OF THE DEFECT OR NONCONFORMANCE IS PROVIDED BY CUSTOMER WITHIN 30 DAYS OF DISCOVERY OF THE DEFECT OR NONCONFORMANCE. COMPANY DISCLAIMS ALL OTHER WARRANTIES, EXPRESS OR IMPLIED, WITH RESPECT TO THE DELIVERABLES, INCLUDING BUT NOT LIMITED TO, ANY IMPLIED WARRANTIES OF NON-INFRINGEMENT, MERCHANTABILITY, OR FITNESS FOR A PARTICULAR PURPOSE.**

a. **Exclusions.** The provisions of this Limited Warranty do not apply to Deliverables that: (A) are not the proper size for the application; (B) are not installed in accordance with Company's published installation instructions; (C) are installed with improper or incorrect parts and/or are used for purposes for which they are not designed or intended; (D) have been repaired or altered without the Company's prior written consent; (E) have been subjected to misuse, abuse, negligence or accident; (F) have been improperly stored, installed, maintained or operated; (G) have been used in violation of written instructions provided by Company to Customer; (H) have been subjected to improper temperature, humidity, or other environmental conditions, or (I) have been affected by normal wear and tear. In addition, the provisions of this Limited Warranty do not apply to any defects or issues with the design or performance of equipment or products not manufactured by Company, nor does it apply to any code compliance or permit requirements for the assembly, installation, erection or construction of any goods. Company is not responsible for loss or damage resulting from use of Deliverables in conjunction with parts or systems not manufactured by Company. Accessories or products furnished by the Company, but manufactured by others, shall carry whatever warranty the manufacturers have conveyed to the Company and which can be passed to Customer.

b. **Services.** Company warrants that its services will be free from defects in material and workmanship for a period of 12 months from the date of completion of the particular items of service. Company's sole obligation under this service warranty is limited to repair or replacement, at its option of the service, provided however, if repair or reperformance is either impractical or impossible, the Company will refund to Customer that portion of the price paid to Company for any defective service, provided written notice of the defect or nonconformance is provided by Customer within 30 days of discovery of the nonconformance.

c. **Notification.** Customer agrees to immediately notify Company in writing if any claim is made against Customer for any damages caused by any modules, parts, products, service or other Deliverables which may be the direct result of any defect in the manufacture of such aforementioned products. Customer agrees to cooperate with Company and its counsel in the defense of such claim and Customer agrees not to settle such claim without Company's written consent. If Customer fails to notify Company of such claim or fails to cooperate in such defense as aforesaid, then Company shall be discharged from any obligations under this Section and shall have no further liability to Customer.

d. **Exceptions.** The following costs and expenses are not covered by the provisions of these limited warranties: (i) labor costs for the removal and reinstallation of Deliverables or other manufacturer's products; (ii) shipping and freight expenses required to return Deliverables to Company; (iii) normal maintenance; and (iv) economic losses. In addition, the provisions of this warranty are not applicable to anything other than defects in Company's material (products only) or workmanship.

## 19. LIMITATION OF REMEDIES.

**CUSTOMER'S EXCLUSIVE AND SOLE REMEDY ON ACCOUNT OF, OR IN RESPECT OF, THE FURNISHING OF NON-CONFORMING DELIVERABLES, SHALL BE TO (A) SECURE REPAIR OR REPLACEMENT OF THE PRODUCTS; OR (B) SECURE REPAIR OR RE-PERFORMANCE OF THE SERVICES OR TO OBTAIN A REFUND OF THE PRICE PAID FOR THE DEFECTIVE SERVICE, ALL AT COMPANY'S OPTION. IN NO EVENT WILL THE COMPANY'S MAXIMUM LIABILITY EXCEED THE SELLING PRICE FOR THE DELIVERABLE. THE WARRANTY, OBLIGATIONS AND LIABILITIES OF COMPANY (INCLUDING ITS SUPPLIERS) AND THE RIGHTS AND REMEDIES OF CUSTOMER ARE EXCLUSIVE AND ARE IN LIEU OF AND CUSTOMER HEREBY WAIVES AND RELEASES ALL OTHER WARRANTIES, OBLIGATIONS, REPRESENTATIONS OR LIABILITIES EXPRESS OR IMPLIED ARISING BY LAW, IN CONTRACT, TORT (INCLUDING NEGLIGENCE OR STRICT LIABILITY) OR OTHERWISE, INCLUDING BUT NOT LIMITED TO (I) ANY IMPLIED WARRANTY OF MERCHANTABILITY OR FITNESS FOR A PARTICULAR PURPOSE OR ANY WARRANTY IMPLIED THROUGH COURSE OF PERFORMANCE, COURSE OF DEALING, OR USAGE OF TRADE OR (II) CLAIMS ARISING OUT OF THE NEGLIGENCE OF COMPANY OR COMPANY'S SUPPLIERS OR (III) ANY OTHER CLAIM ARISING OUT OF, CONNECTED WITH, OR RESULTING FROM THE PERFORMANCE OF COMPANY OR FROM THE DESIGN, MANUFACTURE, SALE, REPAIR, LEASE OR USE OF THE DELIVERABLE, OR ANY COMPONENT THEREOF, DELIVERED OR RENDERED HEREUNDER OR OTHERWISE.**

**20. INDEMNIFICATION AND LIMITATION OF LIABILITY.** a. Customer shall indemnify, defend and hold Company, and its officers, directors, employees, customers, Affiliates, suppliers, users and agents, (collectively the "Indemnitees") harmless from and against any and all damages, claims, losses, expenses, costs, obligations, liabilities, including without limiting the generality of the foregoing, liabilities for court costs and attorneys' fees, suffered directly or indirectly by an Indemnitee by reason of, or arising out of any injury, death or loss to any person, or injury to any property (collectively, "Damages"), received or sustained by any person(s) or property, arising out of, occasioned by, attributable or related to i) any breach of any representation or warranty made by Customer, its officers, directors, employees, affiliates, users, agents, representatives or customers to Company or any third party, (ii) any failure by

# Terms and Conditions

Customer to perform or fulfill any of its covenants, acts and/or omissions to Company or to any third party, or (iii) any litigation, proceeding or claim by any third party relating in any way to the obligations of Customer and/or the Deliverables sold by Company to Customer hereunder. Customer shall not consummate any settlement of any indemnified claim without the Indemnitees' prior written consent. Customer's obligation to indemnify Indemnitees will continue in full force and effect notwithstanding the termination or expiration of any order under this Agreement. In any claim against an Indemnitee by an employee of Customer or any subcontractor or anyone directly or indirectly employed by any of them or anyone for whose acts they may be liable, the indemnification obligations set forth in this Section shall not be limited in any way by or for Customer or any subcontractor under any applicable worker's compensation act, disability or other employee benefit act, or insurance coverage. This provision shall survive termination of any order or Agreement. **IN NO EVENT WILL COMPANY, ITS OFFICERS, DIRECTORS, EMPLOYEES, CUSTOMERS, AFFILIATES, USERS AND AGENTS, (NOR COMPANY'S SUPPLIERS) BE LIABLE FOR ANY INCIDENTAL, CONSEQUENTIAL, INDIRECT, SPECIAL, OR PUNITIVE DAMAGES OF ANY KIND OR NATURE UNDER ANY CIRCUMSTANCES INCLUDING, BUT NOT LIMITED TO, LOSS OF USE OF THE PRODUCTS, SERVICE INTERRUPTION, LOSS OF PROFITS, LOSS OF REVENUE, LOSS OF INTEREST, LOST GOODWILL, LOSS OF DATA, WORK STOPPAGE, IMPAIRMENT OF OTHER GOODS, LOSS BY REASON OF SHUTDOWN OR NON-OPERATION, INCREASED EXPENSES OF OPERATION, OR CLAIMS OF CUSTOMER'S CUSTOMERS, OR ANY OTHER LOSSES OR DAMAGES ARISING OUT OF ANY LACK OR LOSS OF USE OF THE DELIVERABLES WHETHER BASED ON CONTRACT, WARRANTY, TORT (INCLUDING, BUT NOT LIMITED TO, STRICT LIABILITY OR NEGLIGENCE), PATENT INFRINGEMENT, OR OTHERWISE, EVEN IF ADVISED OF THE POSSIBILITY OF SUCH DAMAGES.**

b) **INTELLECTUAL PROPERTY INDEMNITY.** Company makes no representation or warranty to the Customer that the Deliverables shall not infringe any intellectual property rights including, without limitations, claims arising from patent, copyright, trademark, trade secret, or other intellectual property infringement. Customer agrees to hold Company harmless from and defend the Company against any such claim of intellectual property infringement, including any Damages resulting from that claim, the cost of complying with any preliminary or permanent injunction, and all other costs of defense (including the attorneys' fees and costs), in connection with the foregoing.

c) To the extent that applicable law does not permit any limitations set out in this Agreement, such limitation shall not be applied or invoked. Nothing in this Agreement will be interpreted to disclaim liability of Company or the Indemnitees for gross negligence or willful misconduct. The limitations of remedy and liability herein shall not be interpreted to affect Company's obligations, if any, for claims for (i) property damage, (ii) personal injury, or (iii) wrongful death asserted by persons who are not parties to or beneficiaries of this Agreement. Further, the limitations of remedy and liability herein shall not be interpreted to limit Company's or Customer's right, if permitted by applicable law, to assert a claim for contribution among joint tortfeasors in connection with a claim by a person who is not a party to this Agreement.

**21. CERTIFICATIONS.** Certification of Deliverables for compliance with UL and ANSI standards are tested and performed by third-party independent laboratories. Any field modification or alteration of certified Deliverables will void certification and Company is not liable to Customer to certify any modified or altered Deliverable.

**22. TERM FOR CLAIMS. NO ACTION ARISING OUT OF ANY CLAIMED BREACH OF THIS AGREEMENT BY COMPANY MAY BE BROUGHT BY CUSTOMER MORE THAN ONE (1) YEAR AFTER THE CAUSE OF ACTION HAS ARISEN.**

## **23. CONSUMER PRODUCTS**

**WITH RESPECT TO "CONSUMER PRODUCTS" AS DEFINED UNDER THE MAGNUSON-MOSS WARRANTY ACT ("MMWA"), THE FOLLOWING STATEMENTS ARE MADE. (A) SOME STATES OR LOCAL LAWS DO NOT ALLOW LIMITATIONS ON HOW LONG AN IMPLIED WARRANTY LASTS, SO THE ABOVE LIMITATION MAY NOT APPLY TO YOU; (B) IF ANY IMPLIED WARRANTY IS PROVIDED UNDER THE MMWA, IT IS LIMITED TO THE DURATION OF THE WARRANTY PROVIDED IN SECTION 18 ABOVE. (C) SOME STATES OR LOCAL LAWS DO NOT ALLOW THE EXCLUSION OR LIMITATION OF INCIDENTAL OR CONSEQUENTIAL DAMAGES, SO THE ABOVE LIMITATION OR EXCLUSION MAY NOT APPLY TO YOU; AND (D) THIS WARRANTY GIVES YOU SPECIFIC LEGAL RIGHTS AND YOU MAY ALSO HAVE OTHER RIGHTS WHICH VARY FROM STATE TO STATE OR LOCATION TO LOCATION.**

**24. FORCE MAJEURE/EXCUSABLE DELAY.** Any delay or failure of Company to perform its obligations hereunder will be excused to the extent that it is caused by an event or occurrence beyond Company's control such as, by way of example and not by way of limitation, acts of God, acts by any governmental authority (whether valid or invalid), governmental laws and regulations not presently in effect, fires, floods, windstorms, explosions, riots, natural disasters, wars, sabotage, accidents, labor problems (including, without limitation, lockouts, strikes, and slowdowns) at Company's facility, its source plant or their suppliers, inability to obtain power, material, labor equipment, or transportation, or court injunction or order. The delivery date will be extended for a time equal to that of the delay and the schedule for Company's performance will be deemed adjusted to that effect.

**25. ENTIRE AGREEMENT AND AMENDMENT.** This Agreement, together with the attachments, exhibits, webpages, or supplements specifically referenced and incorporated herein, constitute the entire agreement between Company and Customer with respect to the matters contained herein and supersede all previous communications, representations, or agreements, either oral or written between Company and Customer. No agreement or understanding varying or expanding this Agreement will be binding upon either party unless it is in writing and signed by a duly authorized representative of each party hereto.

**26. CONFLICTS.** In the event of any conflict or inconsistency between the terms of any agreement, or any part of an agreement or the various documents (including, but not limited to, electronic documents) between Company and Customer, unless the parties agree otherwise in writing, the various components of the agreements shall be given the following precedence (in descending order of precedence): a) any master agreement or long term agreement between Company and Customer; b) any specific terms, conditions and/or warranties of the individual products or Deliverables; c) the terms and conditions of this Agreement, and d) any purchase order.

## **27. UNSATISFACTORY CREDIT/TERMINATION FOR INSOLVENCY OR DEFAULT.**

Customer shall furnish Company with statements evidencing Customer's financial condition as Company may, from time to time, reasonably request, and shall notify Company immediately of any and all events that may have a material adverse effect on Customer's business or financial

condition. If Company determines, in its sole discretion, that Customer's financial condition or creditworthiness is inadequate or unsatisfactory, then in addition to Company's other rights, Company may without liability or penalty, take any of the following actions: (i) modify the payment terms for any outstanding and/or future purchases; (ii) cancel any previously accepted orders; (iii) delay any further shipment of Deliverables to Customer; or (iv) any combination of the above.

Company may immediately terminate an order from Customer by giving written notice to Customer in the event of the happening of any of the following or any other comparable event: (i) insolvency of the Customer; (ii) filing of a petition in bankruptcy by or against the Customer; (iii) appointment of a receiver or trustee for the Customer; (iv) execution of an assignment for the benefit of creditors by the Customer, all of which will allow Company to demand reclamation of all affected orders; (v) Customer ceases or threatens to cease to trade; (vi) Company determines that Customer does not meet or no longer meets the credit requirements of Company or Customer's credit account is closed; (vii) any Customer violation of law, specifically including, without limitation, those laws set forth in this Agreement.

In the event of termination in accordance with this section, Company will not be obligated to accept any existing or additional orders from Customer and Company will be released from its obligation to deliver under orders accepted prior to such termination. The rejection or termination of any order by Company will not entitle Customer to any termination or severance compensation, or to any payment in respect to any goodwill established by Customer, or render Company liable for damages on account of the loss of prospective profits, or on account of any loss, expenditure, investment or obligation incurred or made by Customer.

No action taken under this Section 27 by Company (nor any failure of Company to act under this Section 27) will constitute a waiver by Company of any of its rights to enforce Customer's obligations, including the obligation of Customer to make payments as required under this Agreement. Upon termination of any order, all amounts owed by Customer to Company will become immediately due and payable, whether or not otherwise then due or payable.

**28. CREDIT RISK ON RESALE OF DELIVERABLES.** Customer is responsible for all credit risks with respect to, and for collecting payment for, all Deliverables sold to third parties (including End Users, installers, and/or general contractors) whether or not Customer has made full payment to Company for such Deliverables. The inability of Customer to collect payment for any Deliverable shall not affect Customer's obligation to pay Company for any Deliverable.

**29. GOVERNING LAW; VENUE; AND EXPENSES.** Any dispute or claim relating to this Agreement shall be governed by and construed according to the laws of the State of Indiana (excluding its conflict of laws principles); and not by the provisions of the 1980 United Nations Convention on the International Sale of Goods. Any disputes or claims shall be instituted and maintained in the courts of the State of Indiana. Customer consents to the exercise of jurisdiction over it by such courts and agrees that Indiana is not an inconvenient forum for any action arising from or relating to this Agreement. Customer agrees to pay for all expenses (including, but not limited to, collection costs, court costs and attorneys' fees) incurred by Company in enforcing the obligations of Customer under this Agreement.

**30. RELATIONSHIP OF THE PARTIES.** Nothing in this Agreement or any other document creates an employment, partnership, joint venture, or agency relationship between Company and Customer, including that of franchisee/franchisor. No party will have any power or authority to enter into any commitment on behalf of or otherwise bind the any other party on any matter. No employee of Customer will be deemed to be an employee of Company. If any provision of this Agreement is deemed to create a franchise relationship or business opportunity between the Parties, then Company may terminate any purchase order or this Agreement or the Parties shall negotiate in good faith to modify this Agreement so as to effect the original intent of the Parties as closely as possible in a mutually acceptable manner in order that the transactions contemplated hereby are consummated as a reseller agreement and not a franchise or business opportunity agreement.

**31. SETOFF.** Customer does not have the right to setoff or to back charge against any amounts which become payable to Company under this Agreement or otherwise. Company will not accept responsibility for backcharges for the cost of material or labor by Customer or any third party.

**32. ELECTRONIC COMMUNICATIONS AND ELECTRONIC SIGNATURES.** Both parties expressly agree to electronic transactions and acknowledge that documents they sign electronically will bind them to the same extent as a paper signature. Customer represents and warrants to Company that only employees authorized to bind Customer legally shall electronically sign any document under this Agreement. Customer shall comply with any method of electronic communication/payment processing specified by Company, including electronic funds transfer, pay-on-receipt processes/systems, order transmission, releases, electronic signature, and electronic communication systems, including, without limitation, the use of electronic data interchange ("EDI") portals. Notwithstanding the foregoing, e-mails, even those containing a signature block of one of Company's representatives, shall not constitute a signed writing.

## **33. COMPLIANCE WITH APPLICABLE LAWS.**

a. General. Company and Customer will comply with all applicable federal, state and municipal laws, regulations, codes, ordinances and orders that pertain to the Deliverables, including but not limited to full compliance with any applicable provisions of The Health Insurance Portability and Accountability Act. Where the Customer is located outside the United States, or where the customer intends to ship the product outside the United States, the Customer shall be responsible for compliance with all U.S. export laws, and for filing all U.S. Electronic Export Information, as applicable.

b. The Customer acknowledges and agrees that: (i) it shall not violate applicable laws and regulations in performing its duties under this Agreement; (ii) it does not and shall not engage in any conduct that shall violate any applicable anti-bribery or anti-corruption laws or regulations; (iii) it (and its owners, officers, directors, employees and agents) shall not pay, offer, promise or authorize the payment of, either directly or indirectly, anything of value (including but not limited to cash, gifts and entertainment) to (a) any government official or employee of any government; (b) any official or employee of any department, agency, or instrumentality of a government; (c) any employee of any corporation or entity owned or controlled by a government; (d) any family member of such officials or employees; (e) any political party, party official, or political candidate; or (f) any other persons, owners, officers, directors, employees and agents of any corporation or entity; to improperly or illegally assist in obtaining or retaining business (including but not limited to any contracts, avoidance of duties or reduction of tariffs, reduction of taxes or



# Terms and Conditions

to obtain money owed, or to obtain regulatory approval) or for the purpose of causing, soliciting or inducing the sale and purchase of the Deliverables by any party, and (iv) it has full knowledge of and will comply with the Company's Code of Conduct for Business Partners as set forth on the Allegion customer website, **WHICH IS HEREBY INCORPORATED BY REFERENCE.**

c. The Customer shall indemnify and hold the Company harmless from any claim, demand, expense or cost arising from any breach of this Article.

d. The Customer shall permit the Company to conduct an audit or review of the Customer's financial books and records and business operations at such other times that the Company considers it necessary to confirm compliance with this provision. Such audit may be conducted by representatives of the Company or, at the Company's sole discretion, by a certified public accounting firm selected by the Company. The Customer shall cooperate with any inquiries from the Company's Ethics & Compliance Group.

e. A violation of this provision constitutes a material breach of this Agreement and the Company may terminate any purchase order or this Agreement immediately, with no opportunity to cure, in accordance with Section 27 of this Agreement.

f. Notwithstanding the foregoing provisions of this Section 33, (i) Company is not responsible for obtaining or maintaining any permits for the performance of services or the verification or compliance with any code requirements relative to the performance of services, (ii) to the extent any sale of Deliverables pursuant to this Agreement may require approval of the U.S. Government, Company's obligations under this Agreement are conditioned upon the grant of such approval and upon compliance by Customer with any restrictions imposed by the U.S. Government in connection with such approval, and (iii) in the event the Deliverables are to be used in a nuclear facility, the Customer shall, prior to such use, arrange for insurance or governmental indemnity protecting Company against liability. The Customer hereby releases and agrees to indemnify Company and its suppliers for any nuclear damage including, but not limited to, loss of use, in any manner arising out of the nuclear incident, whether alleged to be due, in whole or in part by Company or its suppliers.

g. **No Inducements.** Each party represents to each other that neither it nor any person acting on its behalf has, in contravention of any applicable law, given or offered to give or will give or offer to give, any sum of money or other material consideration to any person, directly or indirectly, as an inducement to obtain business hereunder or to influence the granting of licenses or other governmental permissions to enter into this Agreement or perform obligations hereunder.

h. **Equal Employment Opportunity.** Company is a U.S. federal contractor that complies with Executive Order 11246, as amended, and applicable regulations in 41 CFR Parts 60-1 through 60-60, 29 U.S.C. § 793 and applicable regulations in 41 CFR § 60-741; and 38 U.S.C. § 4212 and applicable regulations in 41 CFR Part 60-250 and 60-300. **THE FOLLOWING PROVISIONS ARE INCORPORATED HEREIN BY REFERENCE:** Executive Order 11246, as amended by Executive Order 13672, and 41 CFR § 60-4.3(a); Executive Order 11701 and 41 CFR §§ 60-250.5(a), 60-300.5; Executive Order 11758 and 41 CFR § 60-741.5(a); U.S. immigration laws, including the L-1 Visa Reform Act of 2004 and the H-1B Visa Reform Act of 2004; and Executive Order 13496.

i. **Ethical Business Conduct.** Customer shall adopt and comply with Company's Business Partner Code of Conduct which is **EXPRESSLY INCORPORATED HEREIN BY REFERENCE.**

**34. REPRESENTATIONS AND WARRANTIES.** Customer represents, warrants and covenants to Company that: (a) it has the right, power, and authority to enter into this Agreement and fully perform its obligations hereunder; (b) it has all necessary rights in and to its respective Content and Marks for use within the scope of this Agreement, including the licenses granted herein; and (c) it complies, and at all times shall comply, with all laws, rules, and regulations in effect that are applicable to its performance under this Agreement, including obtaining all such approvals and/or permits as may be required hereunder.

**35. NO THIRD-PARTY BENEFICIARY.** Each party is entering into this Agreement solely based on the representations contained herein for its own purposes and not for the benefit of any third party.

**36. NOTICES AND CHANGE OF ADDRESS.** All notices or other communications under this Agreement shall be in writing and delivered in person, or sent by receipted courier, express mail, e-mail, or postage prepaid certified or registered mail, addressed to the party for whom it is intended, at the addresses set forth in this Agreement. Either party may change its address for notice by giving written notice to the other party. Any notice or other communication shall be deemed given no later than the date actually received. Notice by courier, express mail, certified mail, or registered mail shall be deemed given on the date it is officially recorded as delivered and, in the absence of such record of delivery, it shall be rebuttably presumed to have been delivered on the third Business Day after it was deposited. Notices sent by e-mail require tangible confirmation of receipt from addressee.

**37. ASSIGNMENT.** Customer may not assign this Agreement without the prior written consent of Company. Company may assign its rights and delegate its duties under this Agreement, without the prior consent of Customer, to an Affiliate, or to a third party in the event of a spin-off, merger, business combination, consolidation or sale of all, or substantially all, of its assets or business that are related to this Agreement. The rights and duties in this Agreement shall bind and inure to the benefit of any such assignee.

**38. SEVERABILITY.** If any provision of this Agreement is held to be invalid, illegal, or unenforceable under any statute, regulation, ordinance, executive order, or other rule of law, that provision will be deemed severed to the extent necessary to comply with such statute, regulation, ordinance, order, or rule. In the event such provision is deemed severed, the parties will negotiate in good faith to arrive at an alternative arrangement approximating the original business objective of the parties. The remaining terms and conditions of this Agreement will remain in effect.

**39. NO IMPLIED WAIVER.** The failure of either party at any time to require performance by the other party of any provision of this Agreement will in no way affect the right to require such performance at any time thereafter, nor will the waiver of either party of a breach of any provision of this Agreement constitute a waiver of any succeeding breach of the same or any other provision.

**40. MISCELLANEOUS.** (a) This Agreement does not make either party the agent or legal representative of the other party. Neither party is authorized to create any obligation on behalf of the other party including, but not limited to, the obligation for payment of any service or warranty obligation hereunder; (b) The rights and remedies herein reserved to Company are cumulative and additional to any other rights and remedies provided at law or equity; (c) The official text of this Agreement is in the English language. If this Agreement is translated into another language, the English text will govern any question with respect to interpretation;

(d) The headings in this Agreement are for convenience of reference only and do not affect the meaning of this Agreement in any manner.

## DEFINITIONS.

Capitalized terms have the meanings set forth in this Section, or in the Section in which they first appear in this Agreement.

**"Agreement"** means these Allegion Terms and Conditions of Sale and Service, together with any applicable Country Supplement or Region Supplement provided by Company, and all of the documents referenced herein or therein.

**"Affiliate"** means any Person that directly or indirectly, through one or more intermediaries, controls, is controlled by, or is under common control with, the Company. The term "control" (including the terms "controlled by" and "under common control with") means the possession, directly or indirectly, of the power to direct or cause the direction of the management and policies of a Person, whether through the ownership of voting securities, by contract or otherwise.

**"Business Day"** means any day except Saturday, Sunday or any other day on which commercial banks located in the United States are authorized or required by Law to be closed for business.

**"Company"** means Schlage Lock Company, LLC or any subsidiary or affiliate thereof selling products that are part of the Allegion product portfolio. Schlage Lock Company and/or its subsidiary or affiliates will be severally but not jointly liable under the Agreement.

**"Company Marks"** refers to the Marks of Company.

**"Confidential Information"** shall mean any and all information provided by either party to the other party pertaining to the disclosing party's business. Confidential Information shall include, but not be limited to, any bidding lists, formulae for products, manufacturing processes, production techniques, packaging processes, methods, research materials, ideas, marketing plans and related materials, quality standards, test results and data, apparatus, engineering drawings, contract documents, computer software, hardware, or firmware, business activities information such as financial information, reports, projections, books and records, customer and supplier information, and operations, customer and supplier lists and data, specifications, know how, and other Proprietary Information or Trade Secrets (as defined herein) that either party may furnish to the other party. Confidential Information shall not include information that: (a) is or becomes publicly known if such public knowledge or disclosure is not the result of any act or failure to act on the part of the receiving party; (b) is, at the time of disclosure, already known to the Receiving Party without utilizing the Confidential Information; (c) is information disclosed to the Receiving Party by a third party which is not to the Receiving Party's knowledge, after inquiry of the third party, under a duty of confidentiality to the Disclosing Party; or (d) is independently developed by the Receiving Party without the use of Confidential Information. The Receiving Party shall have the burden of proof as to prior knowledge and absence of breach. Confidential Information may be furnished in any tangible or intangible form including, but not limited to, writings, drawings, computer and other electronic media, logic diagrams, component specifications, graphs, prototypes, samples, or verbal communications and regardless of whether such information is marked or designated as "confidential." For the avoidance of doubt, all information, knowledge or data disclosed by Company to Customer, regardless of whether disclosed in written, tangible, oral, visual or other form, including, without limitation, sample products, equipment, software, or other objects or material, provided by Company to Customer, and all information, knowledge or data which was obtained by Customer from visits to Company's facilities, shall be considered "Confidential Information" under this Agreement.

**"Content"** means all information (including without limitation any text, music, sound, photographs, video, graphics, data or software), in any medium, on a particular Company Web page or Website or in Marketing Materials.

**"Customer"** means the purchaser of Deliverables from Company.

**"Deliverables"** means any good or service or both purchased by Customer from Company under these General Terms and Conditions of Sale and Service.

**"End Users"** means the purchaser that (a) has acquired a Deliverable from Customer for (i) its own and its Affiliate's/Affiliates' internal use and not for resale, remarketing or distribution or (ii) incorporation into its own products and (b) is an individual or entity, other than any federal, state or local agency, office or division.

**"IP"** means all intellectual property and industrial property rights comprising or relating to/ of the following: (a) Patents; (b) Trademarks; (c) internet domain names, whether or not Trademarks, registered by any authorized private registrar or Governmental Authority, web addresses, web pages, website and URLs; (d) works of authorship, expressions, designs and design registrations, whether or not copyrightable, including copyrights and copyrightable works, software and firmware, application programming interfaces, architecture, files, records, schematics, data, data files, and databases and other specifications and documentation; (e) Trade Secrets; and (f) all other intellectual property and industrial property rights, and all rights, interests and protections that are associated with, equivalent or similar to, or required for the exercise of, any of the foregoing, however arising, in each case whether registered or unregistered and including all registrations and applications for, and renewals or extensions of, such rights or forms of protection pursuant to the Laws of any jurisdiction throughout in any part of the world.

**"Marketing Materials"** means all marketing brochures, buckslips, pamphlets, emails, text, call scripts or other material, whether in printed format, audio or audiovisual format, or in any other format, that contain any (i) Content relating to the Company Deliverables or (ii) Company Marks.

**"Marks"** means collectively the domain names, trademarks, trade names, service marks, trade dress, logos, and the like used or provided by either party for use in connection with this Agreement.

**"Patents"** means all patents (including all reissues, divisionals, provisionals, continuations and continuations-in-part, re-examinations, renewals, substitutions and extensions thereof), patent applications, and other patent rights and any other Governmental Authority-issued indicia of invention ownership (including inventor's certificates, petty patents and patent utility models).

**"Person"** means a person or entity.

**"Price Books"** mean Company's current Price Book in effect for the applicable Deliverable being purchased by Customer.

**"Trade Secrets"** means and includes business or technical information of either party, including processes, formulas, devices, techniques, compilations and other material that a party attempts to maintain in secret and that derive commercial value for such party from not being generally known to the public or readily ascertainable through independent development or reverse engineering.

# Finishes

## See device finish pages for available finishes offered for each device.

BHMA	US	Description	BHMA	US	Description
605	US3	Brass, Polished	628	US28	Aluminum, Anodized
	US3A	Brass, Polished - no lacquer	629	US32	Stainless Steel, Polished
606	US4	Brass, Satin	630	US32D	Stainless Steel, Satin
	US4A	Brass Satin - no lacquer		US32D-AM	Stainless Steel, Satin with Antimicrobial Coating
611	US9	Bronze, Polished	689	SP28	Aluminum, Sprayed
612	US10	Bronze, Satin	693	SPBLK	Black, Painted (not flat powder)
613	US10B	Bronze, Oil-Rubbed Satin	695	SP313	Sprayed Duranodic
619	US15	Nickel, Satin	710	313	Duranodic Dark Bronze
625	US26	Chrome, Polished	711/622	315/US19	Flat Black
626	US26D	Chrome, Satin		643E	Aged Bronze
	US26D-AM	Chrome, Satin with Antimicrobial Coating			

### SPLIT FINISHES:

When split finish is desired, the finish listed first is understood to be the finish on the trim/control on the outside of door.

### TOUCHBAR TRIM FINISHES:

When purchased as part of a device, optional touchbar trims are furnished at no additional charge. See device finish page for available finishes per device.

### SPECIAL FINISHES

Optional powder coat finishes available on 33A, 35A, 55, 88, 94, 95, 98, 99, XP98 and XP99 Series devices. To have a specific color matched and powder coat availability please contact:

**TIGER Drylac U.S.A., Inc.**

**3945 Swenson Ave.**

**St. Charles, IL. 60174 USA**

**800-243-8148**

**www.tiger-coatings.us**

Powder coat must be selected from Tiger Drylac **Series 38 or 49**.

Please specify **both** the full powder coat product number and the RAL number when placing your order with Von Duprin. **Example: 49/15320 RAL 1015**

### CUSTOM GRAPHICS

Custom logo or unique artwork on push bar trim is available. Must provide a graphic file of artwork to be applied. The graphic should be native (not scaled) and must not exceed 16"x2". File format should be in Photoshop or .TIFF file format. The graphic file should be emailed to [VDI\\_Specials@allegion.com](mailto:VDI_Specials@allegion.com). Contact customer care for more details.

List add \$94/device plus non-discountable \$250 set-up charge per order.

### SPECIAL FINISH PRICING

**33A, 35A, 94, 95, 98, 99, XP98, XP99 devices .....24% list add to US28 price**

**22 devices .....24% list add to SP28 price, special finishes limited to 622, 706, 691, and 693**

**55 and 88 devices .....24% list add to US4 price**

**Steel Mullions .....24% list add to SP28 price**

For other finishes not listed in this pricebook, consult factory for pricing.

### REFERENCE

Devices ordered in US28 and US32D will be supplied with Trims in US26D unless SS levers are specified.

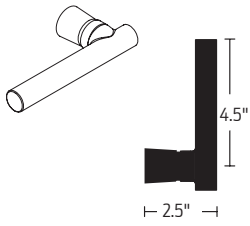
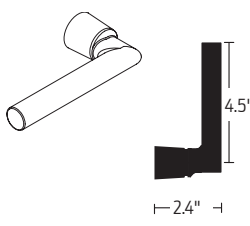
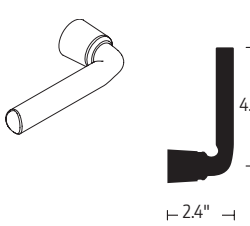
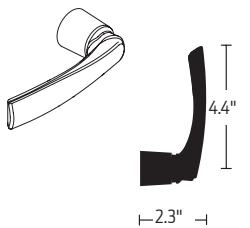
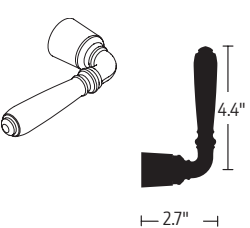
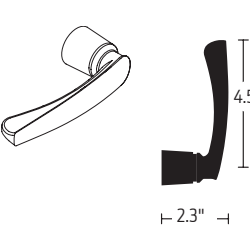
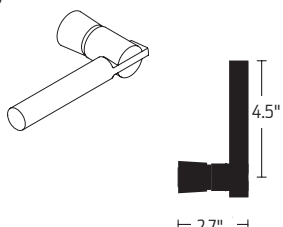
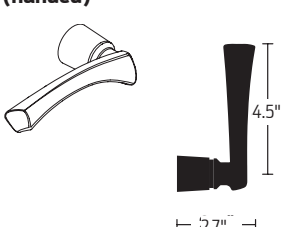
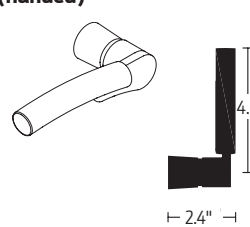
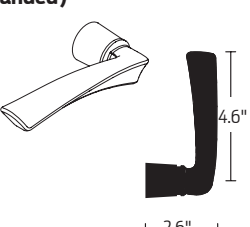
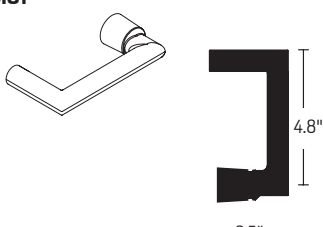
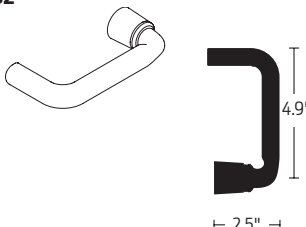
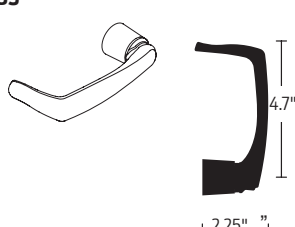


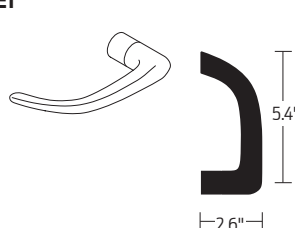
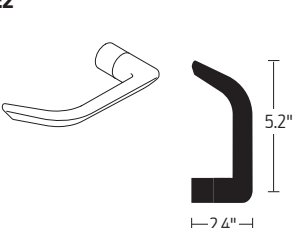
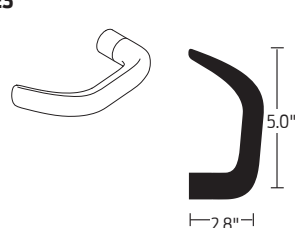
# Standard Lever Suites

Von Duprin Exit Devices 33A/35A, 94/95, 98/99	L-Lock	ND	AL	S	F/FA
01 	01 				
02 	02 				
03 	03 	Tubular 			
05 	05 				
06 	06 	Rhodes 	Saturn 	Saturn 	Elan 
07 	07 	Athens 	Jupiter 	Jupiter 	Jazz 
12 	12 				Manhattan 
17 	17 	Sparta 	Neptune 	Neptune 	
18 	18 				
Latitude 	Latitude 				Latitude 
Longitude 	Longitude 				
16 	Omega 	Omega 	Omega 		
Asti 	Asti 			Flair 	Flair 
Merano 	Merano 				Merano 
Accent 	Accent 				Accent 

Note: Table shows matching lever styles among brands for suiting purposes.

# M Collection Levers

Von Duprin 98/99, 94/95, 33A/35A  
Schlage L, LT

<p><b>M51</b></p> 	<p><b>M52</b></p> 	<p><b>M53</b></p> 
<p><b>M54</b></p> 	<p><b>M55</b></p> 	<p><b>M56</b></p> 
<p><b>M57</b></p> 	<p><b>M61 (handed)</b></p> 	<p><b>M62 (handed)</b></p> 
<p><b>M63 (handed)</b></p> 	<p><b>M81</b></p> 	<p><b>M82</b></p> 
<p><b>M83</b></p> 	<p><b>M84</b></p> 	<p><b>M85 (handed)</b></p> 
<p><b>ME1</b></p> 	<p><b>ME2</b></p> 	<p><b>ME3</b></p> 

# General Information

---

## **DOOR WIDTHS**

EXIT DEVICES for door widths exceeding 4'0" are custom applications. Door width is assumed 3'0" unless specified otherwise. Specify the exact door width and consult factory for price or see page 17.

## **DOOR THICKNESS**

EXIT DEVICES are furnished at prices listed for door thicknesses of 1-3/4" and 2-1/4" with standard centerlines. Other door thicknesses and/or offset installations may require additional charges for the device, trim, control and/or strike. Consult factory for price or see pages 15, 16, and 17.

## **DOOR HEIGHTS/DEVICE CENTERLINE**

SURFACE VERTICAL ROD DEVICES are furnished at prices listed for door heights up to 7'0". For heights above 7'0", extension rods are furnished at prices shown on page 102. For doors higher than 10'0" or when centerline is other than standard, specify exact height and/or centerline. Consult factory for price or see device page. ADA centerline of 37" is available at no additional charge, must be specified. Door height is assumed 7'0" unless specified otherwise.

CONCEALED VERTICAL ROD DEVICES are furnished at prices listed for door heights 6'8" to 8'4" on touch bar devices, and up to 8'0" on crossbar devices. For extension rods up to 10'0", see page 102 for prices. For heights other than this or when centerline is other than standard, specify exact height. Consult factory for price or see device page. Door height is assumed 7'0" unless specified otherwise.

## **HANDING**

DEVICES: Furnished RHR when handing is not specified.  
LEVER TRIMS: Trims are furnished RHR when handing is not specified.

## **CYLINDERS**

We do not offer custom keying.

## **MARKING CARTONS**

Markings (e.g., door locations, stock reference numbers) on acknowledgements and individual product cartons will be provided at no additional charge.

## **SUBSTITUTION OF OUTSIDE TRIM OR STRIKES**

When standard is not desired, deduct price of standard and add price of item used. Check catalog for compatibility. Refer to device Product Catalogs for specific door application strike requirements.

## **ELECTRIC ACCESSORIES**

When specifying Electrical Products, consult Product Catalog or factory to insure all required accessories have been specified.

## **PRODUCT CATALOGS**

Refer to the Product Catalogs for required accessories and specific requirements.

## **LEVER DESIGNS**

- The #06 lever is furnished standard.
- Optional lever designs, #01, #02, #03, #05, #07, #12, #16, #17, #18, Accent, Asti, Merano are available at no additional charge.
- Optional Stainless Steel levers, 03 SS, 06 SS, 17 SS, Latitude SS and Longitude SS are available at no additional charge.
- Optional Brass levers, Latitude and Longitude are available at no additional charge.
- Optional Knurled Levers available on #02, 03, 07, and 17 Lever designs. M51, M52, and M81 lever designs can be supplied Knurled as a Special. Refer to Device pages for Levers offered per device.

# How to Order

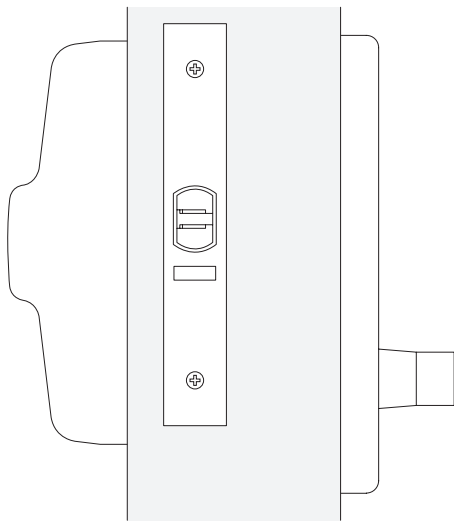
## Sequence Example

		QEL	98	27	L	F	=	US26D	3'	RHR	LBR	US26D	996/ US26D	299F/ 06	SNB	HM	
<b>Prefixes</b>																	
None	Standard																
AX	Accessible Device	RX	Request to Exit														
CD	Cylinder Dogging - Panic Only	RX2	Double Request to Exit														
CX	Chexit	SD	Special Dogging - Panic Only														
E	Electric Locking Mortise/Lever	SS	Signal Switch														
EL	Electric Latch Retraction	WS	Windstorm (FEMA rated)														
HH	Hurricane Device	XP	Surface Vertical Rod Exit Device														
LX	Latch Bolt Monitoring		Heavy Protection - Rim														
PL	Pullman Latch																
PN	Pneumatic Latch Retraction																
QEL	Quiet Electric Latch Retraction																
<b>Device Series</b>		88	Cross Bar Device														
22	Push Bar Device	94/95	Recessed Device														
33A/35A	Push Bar Device	98/99	Push Bar Device														
55	Cross Bar Device																
<b>Device Type</b>																	
None	Rim Device																
27	Surface Mounted Vertical Rod Device																
47	Concealed Vertical Rod Device																
47WDC	Concealed Vertical Rod Wood Door Device																
48	Concealed Vertical Rod Device																
49	Concealed Vertical Cable Device (see CVC how to order form)																
50WDC	Concealed Vertical Cable Wood Door Device																
57	Three-Point Latch Device																
75	Mortise Lock Device																
<b>Trim Functions</b>		L-NL	Lever, Rigid - Night Latch														
EO	AD Trim (to come from client)	NL	Night Latch														
DT	Dummy Trim	NL-OP	Night Latch Cylinder Assembly, Optional Pull														
EO	Exit Only	TL	Turn Lever														
HL	Hospital Pull Trim	TL-BE	Turn Lever - Blank Escutcheon														
K	Knob	TP	Thumbpiece														
K-BE	Knob - Blank Escutcheon	TP-BE	Thumbpiece - Blank Escutcheon														
K-DT	Knob, Rigid - Dummy Trim																
K-NL	Knob, Rigid - Night Latch																
L	Lever (Classroom)																
L-BE	Lever - Blank Escutcheon																
L-DT	Lever, Rigid - Dummy Trim																
<b>Rating</b>		Blank	Panic Exit Hardware														
F	Fire Exit hardware																
<b>Suffix</b>		-2SI	Double Cylinder with Security Indicator														
-2	Double Cylinder																
<b>Finish</b>		US3, US4, US10, US15, US26, US26D, US26D-AM, US28, US32D, US32D-AM, 313, 315															
<b>Door Width</b>		<b>Door Thickness</b>															
3'	Standard Default	1-3/4"	Standard														
4'		2-1/4"	Optional														
2'																	
<b>Handing</b>		RHR	Right Hand Reverse														
		LHR	Left Hand Reverse														
<b>Less Bottom Rod/Cable</b>		LBR-AFL	LBR with Fire Pin														
LBR	Less Bottom Rod	LBL-AFL	LBL with Fire Pin														
LBL	Less Bottom Cable																
<b>Trim Options/Finish</b>		See trim options/finish for each series															
<b>Trim Options/Finish</b>		See trim options for each series															
<b>Lever Style</b>		06	Standard Default														
			Optional Levers available														
<b>Accessories</b>		CYL	Cylinder														
		SEC	Security Screws														
		GBK	Glass Bead Kit														
		SNB	Sex Bolts														
<b>Other Information</b>																	
<b>Touchbar Options</b>		BRAILLE (Vision impaired touchpad, Raised letter, and Braille), PUSH (Touchbar trim embossed "PUSH") RSS (Red silk-screened lettered touchbar trim), KN (Knurled Touchbar), SG (Safety Glow)															
<b>Miscellaneous</b>		CE (CE Labeled), LCP (Less Cover Plate), 10WDA (#10WDA Cover Plate), RAT REL (Ratchet Release Assy), WH (Weep Holes)															
<b>Door Material</b>		AL (Aluminum Door), HM (Hollow Metal), WD (Wood Door), CP (Composite Door) INS2 (Insulclad - 1/2"), INS4 (Insulclad - 1/4"), SC (Steelcraft, HH Device Only)															
<b>Door Application</b>		D (Double Egress), P (Pair of Doors), S (Single Door)															

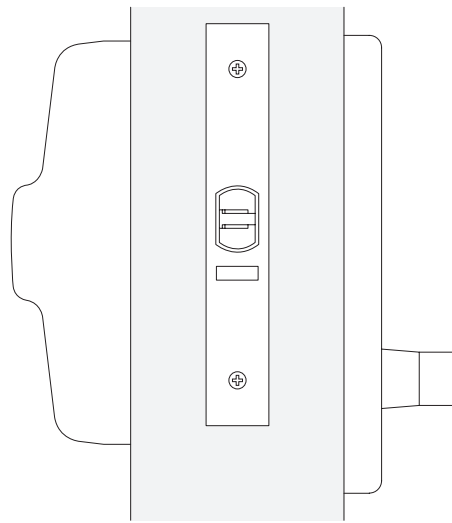
Note: Not all options are listed. Not all options are available on all series. See the specific series pages for complete options available. Please contact customer care for questions.

Prices subject to change without notice.

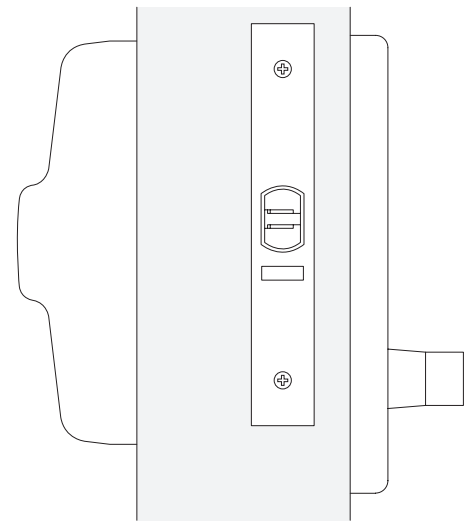
## Mortise Lock Order Form (for door thickness between 2 1/4" - 4 1/2")



**Mortise lock  
towards device (Push) side**



**Mortise lock  
centered**



**Mortise lock  
towards trim (Pull) side**

**1. Select mortise lock position (using illustration above).** Please check box in left column to indicate lock location.

	<b>Push side.</b> Please provide centerline dimension from <b>push side</b> .
	<b>Center.</b> Please provide centerline dimension from <b>center</b> .
	<b>Pull side.</b> Please provide centerline dimension from <b>pull side</b> .

**2. Specify door thickness.**

	Please provide <b>door thickness</b> in box to the left.
--	--

**3. Specify mortise lock configuration** (5575 / 8875 / 98/9975 / -F). Example: 9875-EO x 3' x US26D.

--	--

**Products to be supplied:**

<p><b>Mortise device</b> - lock towards device (push) side</p> <ul style="list-style-type: none"> <li>- Special strike</li> <li>- Special screw pack</li> <li>- Special trim (if not EO)</li> </ul>	<p><b>Mortise device</b> - lock centered</p> <ul style="list-style-type: none"> <li>- Special device</li> <li>- Special strike</li> <li>- Special trim (if not EO)</li> </ul>	<p><b>Mortise device</b> - lock towards trim (pull) side</p> <ul style="list-style-type: none"> <li>- Special device</li> </ul>
---	---	---

---

# *Special Order Products*

Prices subject to change without notice.



# Special Order Products

## Door Thickness - Devices Only

Prices shown are for a door thickness over 2-1/4" up to 4-1/4".

Trims for a door thickness other than standard are priced separately on pages 16 and 17.

NOTE: Other special door and frame conditions may require additional charges. Consult factory for pricing.

Model	Description	List Add	Notes
<b>22 Series</b>			
22	No specials are available on the 22 Series.	n/a	
<b>55 Series</b>			
55	Rim Device	92	Special Screw Pack
5575/5575-F	Mortise Device, Lock towards device (push) side	290	Special Device Special Screw Package Special Trim (if not EO)
	Mortise Device, Lock centered	558	Special Device Special Strike Special Trim (if not EO)
	Mortise Device, Lock towards trim (pull) side	537	Special Device
5547/5547WDC/-F	Concealed Vertical Rod Device	92	Special Screw Pack
<b>88 Series</b>			
88/88-F	Rim device with sexbolts	92	Special Screw Pack
8875/8875-F	Mortise Device, Lock towards device (push) side	283	Special Strike Special Screw Package Special Trim (if not EO)
	Mortise Device, Lock centered	541	Special Device Special Strike Special Trim (if not EO)
	Mortise Device, Lock towards trim (pull) side	249	Special Device Special Screw Package
<b>98/99 Series</b>			
98/9975/-F	Mortise Device Lock towards Device(Push) Side	290	Special Strike Special Screw Package Special Trim (if not EO)
	Mortise Device Lock Centered	558	Special Device Special Strike Special Trim (if not EO)
	Mortise Device Lock towards Trim(Pull) Side	258	Special Device Special Screw Package

Location of Mortise Lock must be provided when ordering.

Prices subject to change without notice.

# Special Order Products

## Door Thickness - Trims Only

Prices shown are for a door thickness over 2-1/4" up to 4-1/4". See specific product below for maximum door thickness. Devices for a door thickness other than standard are priced separately on page 15.

NOTE: Other special door and frame conditions may require additional charges. Consult factory for pricing.

Model	Description	List Add	Special Items Required
-------	-------------	----------	------------------------

### 33A/35A Series Trim

<b>386DT and NL</b>	Dummy or Night Latch Trim	92	Screw Pack for Device
<b>388</b>	Night Latch Cylinder Trim - 33A/35A	92	Screw Pack for Device
<b>550DT</b>	Dummy Trim	92	Screw Pack
<b>392-6</b>	Dummy Trim	92	Screw Pack

### 55 Series Trim

<b>550DT</b>	Dummy Trim	92	Screw Pack
<b>555NL/556NL</b>	Night Latch Trim	92	Screw Pack
<b>555NL-CA/556NL-CA</b>	Night Latch Cylinder Assembly	92	Screw Pack
<b>110MD-NL/WD-NL</b>	Night Latch Cylinder Assembly	92	Screw Pack

### 88 Series Trim

<b>880EO, DT or NL</b>	Exit Only, Dummy or Night Latch Trim	92	Screw Pack
<b>880/608TP/TP-BE</b>	Thumbpiece, up to 3-1/4"	247	Thumbpiece and Screw Pack
	Thumbpiece, over 3-1/4" up to 4-1/4"	414	Thumbpiece and Screw Pack
<b>880/606K/K-BE/K-NL</b>	Knob, up to 4-1/4"	313	Spindle and Screw Pack
<b>880K-DT</b>	Knob Dummy	92	Screw Pack
<b>608DT or NL</b>	Dummy or Night Latch Trim	92	Screw Pack
<b>606K-DT</b>	Knob Dummy	92	Screw Pack

### 98/99 Series Trim

<b>990EO, DT or NL</b>	Exit Only, Dummy or Night Latch Trim	92	Screw Pack
<b>696/697DT or NL</b>	Dummy or Night Latch Trim	92	Screw Pack
<b>990/696/697TP/TP-BE</b>	Thumbpiece, up to 4-1/4"	256	Thumbpiece and Screw Pack
<b>996K/K-BE/K-NL</b>	Knob	303	Spindle and Screw Pack
<b>996K-DT</b>	Knob Dummy	92	Screw Pack
<b>996EO</b>	Exit Only Plate	171	Screw Pack and Studs
<b>996L/L-BE</b>	Lever up to 4"	537	Finger and Studs
<b>996L-NL</b>	Night Latch Lever up to 4"	108	Studs
<b>996L-DT</b>	Lever Dummy up to 4"	108	Screw Pack
<b>392-7</b>	Dummy Trim	88	Screw Pack

Prices subject to change without notice.

# Special Order Products

## Door Thickness - Controls Only

Prices shown are for a door thickness over 2-1/4" up to 4-1/4".

Devices for a door thickness other than standard are priced separately on page 15.

NOTE: Other special door and frame conditions may require additional charges. Consult factory for pricing.

Model	Description	List Add	Special Items Required
<b>Controls</b>			
371L/LBE	Lever	324	Cam and Screw Pack
373L/L-BE	Lever, up to 3-3/8" dr for 88L	90	Screw Pack
	Lever, over 3-3/8" up to 4-1/4" for 88L	435	Spindle and Screw Pack
	Lever, up to 2-11/16" for 8827L	90	Screw Pack
	Lever, over 2-11/16" up to 4-1/4" for 8827L	435	Spindle and Screw Pack
	Lever, up to 3-5/8" for 8875L	90	Screw Pack
	Lever, over 3-5/8" up to 4-1/4" for 8875L	435	Spindle and Screw Pack
373L-DT	Lever Dummy	90	Screw Pack
375L/L-BE	Lever, up to 3-5/8" for 5575L	90	Screw Pack
	Lever, over 3-5/8" up to 4-1/4" for 5575L	435	Spindle and Screw Pack
375L-DT	Lever Dummy	90	Screw Pack
378L/L-BE	Lever	324	Cam and Screw Pack
379L/L-BE	Lever	435	Spindle and Screw Pack
374T/T-BE	Thumbturn	253	Rod Member and Screw Pack
376T/T-BE	Thumbturn	454	Rod Cam and Screw Pack
376T-WDC/T-BE	Thumbturn	454	Rod Member and Screw Pack
377T/T-BE	Thumbturn, 2" door	242	Rod Cam and Screw Pack
377T/T-BE	Thumbturn, over 2 1/4" door	454	Rod Cam and Screw Pack

## Door Width - Devices Only

Prices shown are for a door widths over 4' up to 6'.

Model	Description	List Add	Notes
<b>33/35/98/99 Series</b>			
> 4' up to 5'	All finishes	226	Device will ship less label
<b>33/35/98/99 Series</b>			
> 5' up to 6'	All finishes	310	Device will ship less label
<b>55 or 88 Series</b>			
> 4' up to 5'	US26D or US26	276	Device will ship less label
> 4' up to 5'	US3, US4, US10, US10B, SPBLK	433	Device will ship less label

Note: Device will be supplied with a 49" reinforcement crossbar kit. Actual crossbar length is 54".

## 55 or 88 Series

> 5' up to 6'	US26D or US26	362	Device will ship less label
> 5' up to 6'	US3, US4, US10, US10B, SPBLK	522	Device will ship less label

Note: Device will be supplied with a 61" reinforcement crossbar kit. Actual crossbar length is 66".

For Special Order Product Quotes: Email: [VDI\\_Specials@allegion.com](mailto:VDI_Specials@allegion.com) Fax: 1-877-730-6248

Prices subject to change without notice.

# Special Order Products

	List Add	Notes
<b>Special Device Types</b>		
Modified California Special - Centerline at 38"	535	5547WDC Only
Balanced Door - 3' Device with 4' Mechanism Case	93	33/35/98/99 Series
<b>Special Trims</b>		
990 with 697 Pull	81	
<b>Special Electric Strike</b>		
6221/6223/6226 with "A" Back Box	87	
<b>Special Mullion</b>		
Aluminum Mullions >10' up to 11'	869	5654/5754
Steel Mullions >10' up to 14'	581	1654/4754/4854/4954/9854/9954
<b>Special Centerline (other than 39-11/16")</b>		
Steel Mullion	96	
Aluminum Mullion	448	
ADA centerline height of 37" is available at no additional charge, must be specified.		

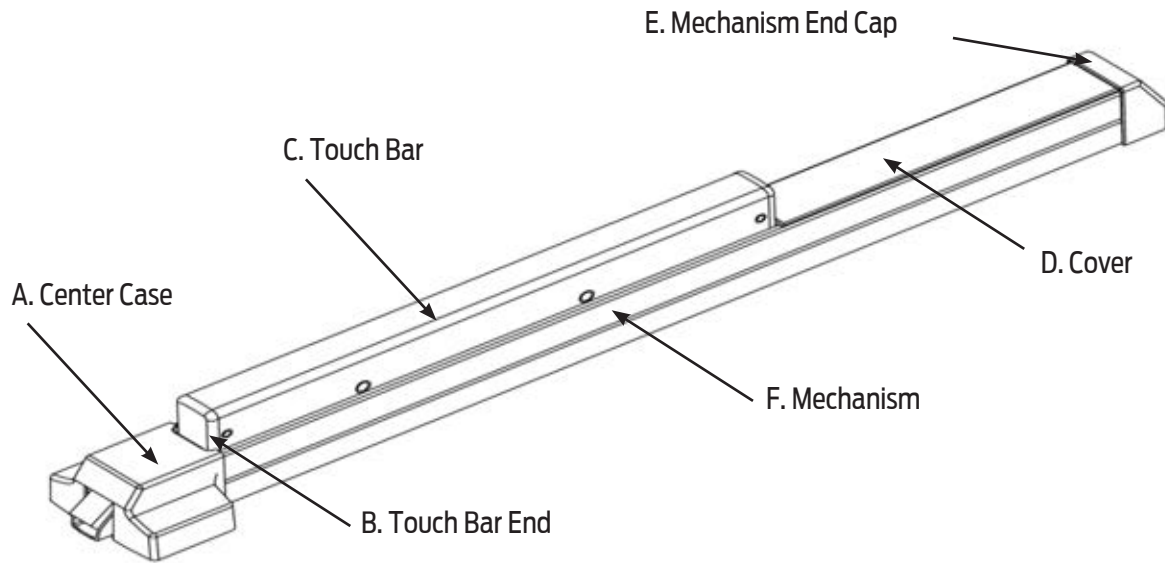
Prices subject to change without notice.

---

# *Exit Devices*

Prices subject to change without notice.

# 22 Series - Finish Chart



## Standard Finishes

Color	US Number	BHMA Number	A, B, E	C-Touch Bar Trim Finishes	D, F
Sprayed Aluminum	SP28	689	(A) Powder Coat (B, E) Molded Plastic	Sprayed Aluminum SP28, 689	Powder Coat
Duranodic Dark Bronze	SP313	695	(A) Powder Coat (B, E) Molded Plastic	Powder Coat SP313, 695	Powder Coat

## 22 Series Sex Bolt Quantities

Application	Sex Bolt 425 (Optional)	With 499 Strike 425 Sex Bolt (Optional)	325 Sex Bolts For SV Latches (Supplied)
EO (exit only device)	6	8	4
NLOP Device with 110 MD/WD	6	8	4
EO Device with 230EO trim	2	4	4
K, KBE, DT or NL Device with 210 trim	2	4	4
L, LBE, TP or TPBE Device with 230 trim	2	4	4

**Note:** Sex bolts are supplied for use on wood and composite fire doors.

Prices subject to change without notice.

 Indicates products that have EPD documentation available and meet LEED v4.

## EXIT HARDWARE

### Type of Device

**22** (Rim) **2227** (Surface Vertical Rod)

### Function

<b>EO</b> (Exit Only)	<b>DT</b> (Dummy Trim)	<b>L</b> (Lever-06 Standard)	<b>LBE</b> (Lever-Blank Escutcheon)
<b>NL</b> (Night Latch-Key Retracts)	<b>NLOP</b> (Night Latch, Opt. Pull)	<b>K</b> (Knob)	<b>KBE</b> (Knob - Blank Escutcheon)
<b>TP</b> (Thumbpiece)	<b>TPBE</b> (Thumbpiece, Blank Escutcheon)		

### Rating

**None** (Panic Exit Device) **- F** (Fire Exit Device)

### Device Finish

**SP28** (Sprayed Aluminum) **SP313** (Duranodic Dark Bronze)

### Device Length (Feet and Inches)

**3'** (3' Device for 2' 4" - 3' Door) **4'** (4' Device for 2' 10" - 4' Door)

### Device Handing:

**RHR** (Right Hand Reverse) **LHR** (Left Hand Reverse)

### Dogging Options

**LD** (Less Dogging)

### Device Options

<b>ALK</b> (Standard Alarm Kit)	<b>SNB</b> (Include # of Sex Bolts)	<b>GBK</b> (Include GBK)	<b>CYL</b> (Include Cylinder)
<b>SEC</b> (Include Security Screws)	<b>AX</b> (Accessible Device)	<b>RX</b> (Request to Exit)	<b>LX</b> (Latchbolt Monitoring)

### Rods For Surface Vertical Devices only

**LBR** (Less Bottom Rod) **LBRAFL** (LBR with Aux. Fire Pin)

### Strike Finish

<b>US10B</b> (Satin Bronze-Oil Rubbed)	<b>US19</b> (Flat Black)	<b>US26D</b> (Satin Chrome)	<b>US32D</b> (Satin Stainless)
<b>SP313</b> (Dark Bronze)	<b>MD</b> (e-Moly)		

### Trim Options

<b>LT</b> (Less Trim)	<b>210</b> (Standard DT/NL/K Trim)	<b>230</b> (Standard L/TP Trim)
<b>110WD-NL / 110MD-NL</b> (Night Latch Cyl-WD door/MD door)		

### Trim Finish

<b>US10B</b> (Satin Bronze-Oil Rubbed)	<b>US26D</b> (Satin Chrome)	<b>US28</b> (Powder Coat Aluminum)	<b>313</b> (Duranodic Dark Bronze)
--	-----------------------------	------------------------------------	------------------------------------

### Misc

# 22 Series - Summary (continued)

<b>CE</b> (CE Labeled)	<b>CON</b> (Connectors)
------------------------	-------------------------

## Door Material

<b>AL</b> (Aluminum Door)	<b>HM</b> (Hollow Metal)	<b>WD</b> (Wood Door)	<b>CP</b> (Composite Door)
---------------------------	--------------------------	-----------------------	----------------------------

## Door Thickness

<b>1.3/4</b> (1-3/4" Standard)	<b>2</b> (2" Thickness)	<b>2.1/4</b> (2-1/4" Thickness)
--------------------------------	-------------------------	---------------------------------

## Door Application

<b>D</b> (Double Egress)	<b>P</b> (Pair of Doors)	<b>S</b> (Single Door)
--------------------------	--------------------------	------------------------

Prices subject to change without notice.

 Indicates products that have EPD documentation available and meet LEED v4.



3' Devices are priced complete with standard trim and strike(s), 4' add \$11 list.  
Cylinders and sex bolts are not included in price unless noted.

## EXIT HARDWARE

### Rim Devices

(Price includes 299 Strike)

	SP28 SP313	Weight lbs.		Standard Trim
		3'	4'	
<b>22EO</b>	469	11	14	–
<b>22DT</b>	522	12	16	210DT
<b>22NL</b>	530	12	16	210NL
<b>22NL-OP</b>	602	12	15	110MD/WD
<b>22K</b> (includes cylinder)	708	13	16	210K
<b>22K-BE</b>	708	13	16	210K-BE
<b>22L</b>	704	14	17	230L
<b>22L-BE</b>	704	14	17	230L-BE
<b>22TP</b>	703	14	16	230TP
<b>22TP-BE</b>	703	14	16	230TP-BE

## FIRE EXIT HARDWARE

### Rim Devices

(Price includes 299F Strike for single door applications.)

(For double door applications the 499F Strike will be supplied at an additional \$108 list add).

<b>22EO-F</b>	582	12	14	–
<b>22DT-F</b>	635	12	15	210DT
<b>22NL-F</b>	643	12	15	210NL
<b>22NL-OP-F</b>	715	13	15	110MD/WD
<b>22K-F</b> (includes cylinder)	821	13	16	210K
<b>22K-BE-F</b>	821	13	16	210K-BE
<b>22L-F</b>	817	14	17	230L
<b>22L-BE-F</b>	817	14	17	230L-BE
<b>22TP-F</b>	816	13	17	230TP
<b>22TP-BE-F</b>	816	13	17	230TP-BE

## EXIT HARDWARE

### Surface Vertical Rod Devices

(Price includes 299, 248L-4, 304L Strikes and Sex Bolts for Latches)

<b>2227EO</b>	815	16	17	–
<b>2227DT</b>	868	17	19	210DT
<b>2227NL</b>	876	16	19	210NL
<b>2227NL-OP</b>	948	17	18	110MD/WD
<b>2227K</b> (includes cylinder)	1054	16	21	210K
<b>2227K-BE</b>	1054	16	21	210K-BE
<b>2227L</b>	1050	16	21	230L
<b>2227L-BE</b>	1050	16	21	230L-BE
<b>2227TP</b>	1049	18	21	230TP
<b>2227TP-BE</b>	1049	18	21	230TP-BE

## FIRE EXIT HARDWARE

### Surface Vertical Rod Devices

(Price includes 299F, 304L Strikes and Sex Bolts for Latches)

<b>2227EO-F</b>	1038	15	17	–
<b>2227DT-F</b>	1091	17	18	210DT
<b>2227NL-F</b>	1099	17	18	210NL
<b>2227NL-OP-F</b>	1171	16	18	110MD/WD
<b>2227K-F</b> (includes cylinder)	1277	16	20	210K
<b>2227K-BE-F</b>	1277	16	20	210K-BE
<b>2227L-F</b>	1273	16	21	230L
<b>2227L-BE-F</b>	1273	16	21	230L-BE
<b>2227TP-F</b>	1272	18	21	230TP
<b>2227TP-BE-F</b>	1272	18	21	230TP-BE

Prices subject to change without notice.

 Indicates products that have EPD documentation available and meet LEED v4.

# 22 Series - Options

## Dogging Not for use with Fire Exit Hardware

*Prefix*

**List Add**

<b>LD</b>	Less Dogging for 22 Series Panic devices	N/C
-----------	--	-----

## Less Bottom Rod

*Suffix*

<b>LBR</b>	Available with UL Fire Label at no additional charge on 2227-F Devices. LBR Devices must be ordered in pairs of Vertical Rod Devices with one AFL kit per pair (one device LBR, second device LBRAFL).	N/C
	Less bottom rod-Panic (2227-LBR)	<b>Deduct 120</b>

## Accessible Device

*Prefix*

**List Add**

<b>AX</b>	Accessible device compliant with the California Building Code (Section 11B-309.4) requirement for 5 lb. maximum operational force. Available on AX22, AX22-F Rim, AX2227-LBR, AX2227-LBR-F. Trim functions available EO, DT, NL, L, and LBE.	25
-----------	--	----

## Exit Alarm

*Prefix*

**List Add**

<b>ALK</b>	Exit Alarm available on 22 series Panic and Fire Devices. Price includes switch - "RX" switch, "LX" is optional at no additional charge. For vertical rod tampering monitoring on Surface Vertical Devices, specify device with LX (Latch Bolt Monitor Switch). To order Less Switch, <b>Deduct \$256</b> list. 9 volt battery included.	564
------------	--	-----

## Switches (available on all 22 Series Devices)

*Prefix*

**List Add**

<b>RX</b>	Request to Exit	256
<b>WP-RX</b>	Waterproof Request to Exit	369
<b>RX-LC</b>	Request to Exit Low Current	297
<b>RX-2</b>	Request to Exit Double Switch	318
<b>LX</b>	Latchbolt Monitoring	256
<b>LX-LC</b>	Latchbolt Monitoring Low Current	297
<b>LX-RX</b>	Request to Exit / Latchbolt Monitoring combination	387
<b>LX-RX-LC</b>	Request to Exit / Latchbolt Monitoring combination Low Current	464

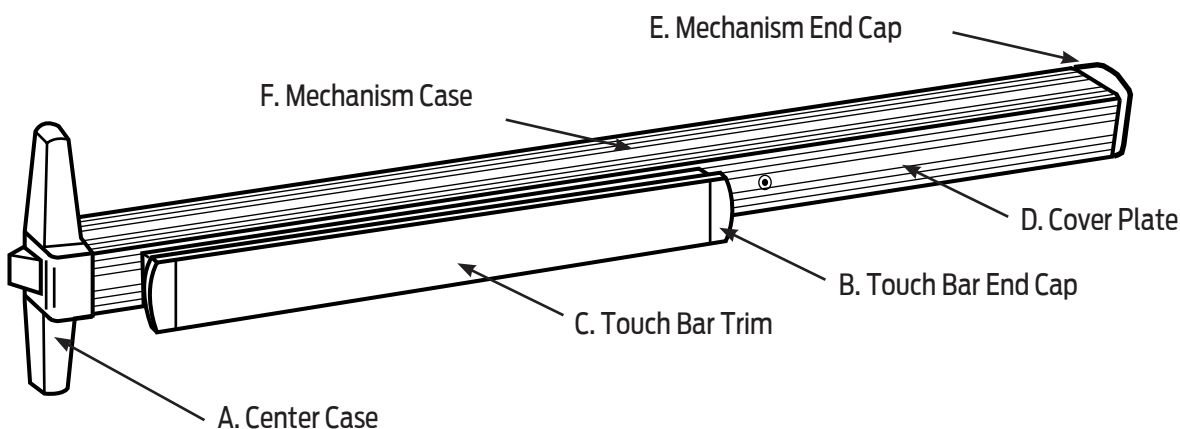
## Connectors

*Suffix*

**List Add**

<b>CON</b>	Cross-category solution using interconnect components for electrified options. Available with ALK, LX, LXLC, LRRX, LRRXLC, RX and RXLC switches.	N/C
------------	--	-----

# Finish Chart - 33A/35A Series



## Standard Finishes

Color	US Number	BHMA Number	A, B, E	C -Touch Bar Trim Finishes	D, F
Bright Brass	US3	605	(A) Buffed Anodized (Dull) (B, E) Bright Brass	Bright Brass US3, 605	Buffed Anodized
Satin Brass	US4	606	(A) Anodized (B,E) Bright Brass	Satin Brass US4, 606	Anodized
Satin Bronze	US10	612	Plated/Anodized	Satin Bronze US10, 725	Anodized
Satin Bronze, Oil-Rubbed	US10B	613	(A) Powder Coat (B, E) Oil-Rubbed	Oil Rubbed, US10B	Powder Coat
Satin Nickel	US15	619	Plated, Clear Powder Coat	Satin Stainless Steel US32D, 630	Anodized
Polished Chrome	US26	625	Plated	Bright Stainless Steel US32, 629	Buffed Anodized
Satin Chrome	US26D	626	Plated	Satin Stainless Steel US32D, 630	Anodized
Satin Chrome, Antimicrobial	US26D-AM	626AM	AM Clear over Chrome	AM Clear over Satin Stainless Steel US32D, 630	AM Clear over Anodized
Anodized Aluminum	US28	628	(A, B) Anodized (E) Plated	Satin Stainless Steel US32D, 630	Anodized
Duranodic Dark Bronze	313	710	Powder Coat	Powder Coat 313, 710	Powder Coat
Black	315	711	Powder Coat	Powder Coat 315, 711	Powder Coat
Aged Bronze, 643E	--	--	(A) Aged Bronze, No Relief (B, E) Relieved Aged Bronze	Relieved Aged Bronze	Aged Bronze No Relief

US15 available on 35A only

## Special Finishes

Color	US Number	BHMA Number	A, B, E	C -Touch Bar Trim Finishes	D, F
Bright Bronze	US9	611	Plated	Bright Bronze US9, 611	Buffed Anodized
Powder Coat	RAL # *	--	Powder Coat	Powder Coat	Powder Coat

\* See Finish page for optional RAL color information.

## 33A/35A Series Sex Bolt Quantities

Application	425 Sex Bolts (Supplied)	For Latches 325 Sex Bolts (Supplied)
EO (exit only device)	2	4
DT device with 550 trim	2	4
NLOP device with 388 trim	2	4
3327A or 3347A TLOP with 374T trim	2	2

Prices subject to change without notice.

 Indicates products that have EPD documentation available and meet LEED v4.

# 33A/35A Series - Summary

## EXIT HARDWARE

### Type of Device **33A** (Grooved) **35A** (Smooth)

**None** (Rim)                      **27A** (Surface Vertical Rod)                      **47A / 48A** (Concealed Vertical Rod)                      **49A** (Concealed Vertical Cable)  
**50WDC** (Wood Door Concealed Vertical Cable)

### Function

**EO** (Exit Only)                      **DT** (Dummy Trim)                      **L** (Lever-06 Standard)                      **LDT** (Lever-Dummy Trim)  
**NL** (Night Latch-Key Retracts)                      **NLOP** (Night Latch, Opt. Pull)                      **TLOP** (Turn Lever, Opt. Pull)                      **TL** (Turn Lever)  
**LBE** (Lever-Blank Escutcheon)                      **TLBE** (Turn Lever - Blank Escutcheon)                      **T** (Thumbturn)                      **TBE** (Thumbturn - Blank Escutcheon)

### Rating

**None** (Panic Exit Device)                      - **F** (Fire Exit Device)

### Device Finish

**US3** (Bright Brass)                      **US4** (Satin Brass)                      **US10** (Satin Bronze)                      **US10B** (Satin Bronze-Oil Rubbed)  
**US26** (Bright Chrome)                      **US26D** (Satin Chrome)                      **US28** (Anodized Aluminum)                      **313** (Duranodic Dark Bronze)  
**315** (Black)                      **US26D-AM** (Antimicrobial)                      **US15** (Satin Nickel - 35 series only)

### Device Length (Feet and Inches)

**2'** (2' Device for 2' Door - Vertical Device only)                      **3'** (3' Device for 2' 4" - 3' Door)                      **4'** (4' Device for 2' 10" - 4' Door)

### Device Handing

**RHR** (Right Hand Reverse)                      **LHR** (Left Hand Reverse)

### Touch Bar Trim Options

**RSS** (Emergency Exit- US32D only)                      **PUSH** (Embossed - Push)                      **SG** (Safety Glow)                      **KN** (Knurled)                      **BRAILLE** (Braille)  
**WH** (Drainage/Weep holes in Mechanism Case - 3' device will have 5 holes - 6" spacing, 4' device will have 7 holes - 6" spacing)

### Touch Bar Finish

**US3** (Bright Brass)                      **US4** (Satin Brass)                      **US10** (Satin Bronze)                      **US10B** (Satin Bronze-Oil Rubbed)  
**US32** (Bright Stainless)                      **US32D** (Satin Stainless)                      **313** (Duranodic Dark Bronze)                      **315** (Black)  
**340** (Photoluminescent)

### Dogging Options

**CD** (Cylinder Dogging - Panic Only)                      **HD** (Hex Dogging)                      **LD** (Less Dogging)  
**CDSI** (Cylinder Dogging w/Indicator)                      **HDSI** (Hex Dogging w/ Indicator)

### Switch Options

**LX** (Latchbolt Monitoring)                      **LXLC** (LBM Low Current)                      **RX** (Request to Exit)                      **RXLC** (Request to Exit Low Current)  
**RX2** (Request to Exit Double Switch)                      **LXRX** (LBM Request to Exit)                      **LXRXLC** (LBM Request to Exit Low Current)  
**WP-RX** (Waterproof Request to Exit)

**Electric Options**

<b>CX</b> (Chexit - Controlled Exit)	<b>CX-RCM</b> (Remote Chexit Module)	<b>ES</b> (Pullman Latch for Electric Strike)
<b>FS</b> (Fail Safe)	<b>FSE</b> (Fail Secure)	<b>QEL</b> (Quiet Electric Latch Retraction)
<b>SS</b> (Signal Switch)	<b>EL</b> (Electric Latch Retraction)	

**Device Options**

<b>HH</b> (Hurricane)	<b>CYL</b> (Include Cylinder)	<b>PL</b> (Include Pullman Latch)	<b>GBK</b> (Include GBK)
<b>ALK</b> (Standard Alarm Kit)	<b>SEC</b> (Include Security Screws)	<b>AX</b> (Accessible Device)	<b>PN</b> (Pneumatic Latch Retraction)

**Rods For Surface / Concealed Vertical Devices only**

<b>OPR</b> (1 piece Top Rod)	<b>LBR</b> (Less Bottom Rod)	<b>LBRAFL</b> (LBR with Aux. Fire Pin)
------------------------------	------------------------------	--

**Strike Series**

<b>LS</b> (Less Strike)	<b>LTS</b> (Less Top Strike)	<b>1439</b> (Std. Rim)	<b>249</b> (Std. CVC)
<b>260U</b> (Opt. SV Flush Transom)	<b>260UF</b> (Opt. SV Fire Flush Transom)	<b>264</b> (Opt. Rim or SV)	<b>266</b> (Std. SV)
<b>283</b> (Opt. CV - Wood Frame)	<b>299, 1410, 1606, 1609</b> (Opt. Rim)	<b>299F</b> (Std. SV Fire)	<b>338</b> (Std. CV)
<b>499F</b> (Std. SV Fire LBR)	<b>150</b> (Std. CVC-WDC)	<b>1439F</b> (Opt. Rim Fire)	

**Bottom Strike Series**

<b>LBS</b> (Less Bottom Strike)	<b>248L-4</b> (Surface)	<b>304L</b> (Mortise)	<b>349</b> (Std. CVC)
<b>385A</b> (Adjustable Mortise)	<b>450</b> (Std. CVC-WDC)		

**Strike Finish**

<b>US3</b> (Bright Brass)	<b>US4</b> (Satin Brass)	<b>US10</b> (Satin Bronze)	<b>US10B</b> (Satin Bronze-Oil Rubbed)
<b>US19</b> (Flat Black)	<b>US26</b> (Bright Chrome)	<b>US26D</b> (Satin Chrome)	<b>US32</b> (Bright Stainless)
<b>US32D</b> (Satin Stainless)	<b>MD</b> (e-Moly)	<b>SP313</b> (Dark Bronze)	<b>SP10</b> (Satin Bronze)

**Trim Options**

<b>LT</b> (Less Trim)	<b>386</b> (Standard DT / NL Trim)	<b>550</b> (Opt. Offset Dummy Trim)	<b>392-6</b> (Opt. Wire Pull Dummy Trim)
			<b>388</b> (Night Latch Cylinder Trim)

**Trim/ControlFinish**

<b>US3</b> (Bright Brass)	<b>US4</b> (Satin Brass)	<b>US10</b> (Satin Bronze)	<b>US10B</b> (Satin Bronze-Oil Rubbed)
<b>US26</b> (Bright Chrome)	<b>US26D</b> (Satin Chrome)	<b>SPBLK</b> (Black Painted)	<b>US26D-AM</b> (Antimicrobial)

**Control Options**

<b>LC</b> (Less Control)	<b>360</b> (Lever Control)	<b>E360</b> (360 Elec. Unlocking)	<b>360T</b> (Thumbturn Control - Rim)
<b>E360T</b> (360T Elec. Unlocking)	<b>374T</b> (Thumbturn Control - SV)	<b>376T</b> (Thumbturn Control - CV)	<b>376T WDC</b> (376T for Wood Door)
<b>E374T</b> (374T Elec. Unlocking)	<b>E376T</b> (376T Elec. Unlocking)	<b>E376T-WDC</b> (376T-WDC Elec. Unlocking)	

Prices subject to change without notice.

 Indicates products that have EPD documentation available and meet LEED v4.

# 33A/35A Series - Summary (continued)

## Control Lever Styles 06 Lever Standard

<b>ACC</b> (Accent Lever)	<b>AST</b> (Asti Lever)	<b>MER</b> (Merona Lever)
<b>03K</b> (03 Knurled Lever)	<b>06K</b> (06 Knurled Lever)	<b>01, 02, 03, 05, 06, 07, 12, 16, 17, 18</b> (Levers)
<b>LAT</b> (Latitude)	<b>LON</b> (Longitude)	<b>03 SS, 06 SS, 17 SS, LAT SS, LON SS, M57, M62</b> (Stainless Steel Levers)
<b>M51, M52, M53, M54, M55, M56, M61, M63, M81, M82, M83, M84, M85, ME1, ME2, ME3</b>		

## Electric / Monitor Strike

<b>OTH</b> (Other Mfg Strike)	<b>4263T1</b> (Rim Monitor Strike)	<b>4268T1</b> (Rim Monitor Strike)	<b>4690T2</b> (For 33/3547A-F)
<b>4690-1T2</b> (for 33/3547A Non - Fire)	<b>6111</b> (Rim W/Mull 33/3527A LBR)	<b>6112</b> (33/35A Rim single door)	<b>6113</b> (33/35A Rim single door)
<b>6114</b> (33/35A Rim NL function)	<b>6121</b> (33/35A Rim Double Door no Mullion)	<b>6213</b> (Used with 33/3547A LBR)	

## CHEXIT Options

<b>B15</b> (BOCA 15 Second Delay)	<b>0</b> (0 Second Delay)	<b>15</b> (15 Second Delay)
<b>30</b> (Second Delay)	<b>M15</b> (15 Second Mute Delay)	<b>INF</b> (Infinite Delay)

## Misc

<b>CE</b> (CE Labeled)	<b>LCP</b> (Less Cover Plate)	<b>10WDA</b> (#10WDA Cover Plate)	<b>33A</b> (33A-WDA Cover Plate)
<b>CON</b> (Connectors)	<b>50WDC</b> (50WDC Cover Plate)		

## Door Material

<b>AL</b> (Aluminum Door)	<b>HM</b> (Hollow Metal)	<b>WD</b> (Wood Door)	<b>CP</b> (Composite Door)
<b>INS2</b> (Insulclad - 1/2")	<b>INS4</b> (Insulclad - 1/4")		

## Door Thickness

<b>1.3/4</b> (1-3/4" Standard)	<b>2</b> (2" Thickness)	<b>2.1/4</b> (2-1/4" Thickness)
--------------------------------	-------------------------	---------------------------------

## Door Application

<b>D</b> (Double Egress)	<b>P</b> (Pair of Doors)	<b>S</b> (Single Door)
--------------------------	--------------------------	------------------------

## Mullion Application

<b>1654</b> (HM, used w/ 2 - 1606 Strikes)	<b>4754</b> (HM, used w/ 2 - 4263 Monitor Strikes)	<b>5654</b> (AL, used w/ 2 - 299 Strikes)
<b>4954</b> (HM, used w/2 - 299/264 Strikes)	<b>4854</b> (HM, used with a 299 & 6111ES)	<b>5754</b> (AL, 1408 Strike Installed)

## APPLICATION NOTE FOR 2' DEVICE :

### Available on Surface and Concealed Vertical (panic and fire).

When vertical rod devices are used on both doors of a pair, operation of the inactive door (smaller door) will not disengage the active door, creating a potential safety issue for those using the inactive door during an emergency. In addition, standard hex or cylinder dogging is not available. Dogging is not available for this application on 33/3527A/47/49A/50A-WDC devices.

For pairs of doors using one 2' door Von Duprin recommends the following hardware combinations listed below for optimum safety in an emergency.

1. Surface or Concealed Vertical device on the 2' door (inactive) and a mortise device on the larger door (active). This combination is used primarily on Hollow Metal door applications only.
2. Automatic Flush Bolt on the 2' door (inactive) and a Surface or Concealed Vertical device on the larger door (active).

**NOTE: The 2' door width is not available with any Electrical, Chexit, Hurricane or Windstorm options.**

Prices subject to change without notice.

 Indicates products that have EPD documentation available and meet LEED v4.

# Devices - 33A/35A Series

3' Devices are priced complete with standard trim, strike(s) and sex bolts. 4' add \$18 list. Cylinders are not included in price.

## EXIT HARDWARE

### Rim Devices

(Price includes 1439 Strike for ALF applications).  
(For HMF and WDF applications the 299 strike is supplied at \$88 list deduct).

	US26D	US28	313	US10	US4/4A	US3/3A US15 US26 643E	315	US10B	Weight lbs.		Standard Trim/Control
									3'	4'	
33A/35A-EO	1774	1436	1441	1489	1489	1859	2235	1751	12	14	-
33A/35A-DT	2132	1794	1799	1993	1847	2283	2593	2109	15	18	386DT
33A/35A-NL	2407	2069	2074	2271	2122	2607	2868	2384	16	18	386NL*
33A/35A-NL-OP	2085	1747	1752	1942	1779	2170	2546	2062	15	16	388
33A/35A-L	2501	2163	2168	2253	2119	2647	2962	2478	17	19	360L**
33A/35A-L-BE	2465	2127	2132	2224	2070	2604	2926	2442	17	19	360L-BE**
33A/35A-L-DT	2445	2107	2112	2198	2060	2586	2906	2422	17	19	360L-DT**
33A/35A-TL	2528	2190	2195	2285	2137	2675	2989	2505	17	19	360T**
33A/35A-TL-BE	2491	2153	2158	2253	2097	2634	2952	2468	17	19	360T-BE**
33A/35A-T	2528	2190	2195	2285	2137	2675	2989	2505	17	19	360T**
33A/35A-T-BE	2491	2153	2158	2253	2097	2634	2952	2468	17	19	360T-BE**

## FIRE EXIT HARDWARE

### Rim Devices

(Price includes 299F Strike for single door applications only.)  
(For double door applications the 499F Strike will be supplied at an additional \$108 list add).

33A/35A-EO-F	1872	1534	1539	1587	1587	1957	2333	1849	12	14	-
33A/35A-DT-F	2230	1892	1897	2091	1945	2381	2691	2207	16	18	386DT
33A/35A-NL-F	2505	2167	2172	2369	2220	2705	2966	2482	16	18	386NL*
33A/35A-NL-OP-F	2183	1845	1850	2040	1877	2268	2644	2160	15	16	388
33A/35A-L-F	2599	2261	2266	2351	2217	2745	3060	2576	17	19	360L**
33A/35A-L-BE-F	2563	2225	2230	2322	2168	2702	3024	2540	17	19	360L-BE**
33A/35A-TL-F	2626	2288	2293	2383	2235	2773	3087	2603	17	19	360T**
33A/35A-TL-BE-F	2589	2251	2256	2351	2195	2732	3050	2566	17	19	360T-BE**
33A/35A-T-F	2626	2288	2293	2383	2235	2773	3087	2603	17	19	360T**
33A/35A-T-BE-F	2589	2251	2256	2351	2195	2732	3050	2566	17	19	360T-BE**

#### 33A/35A Rim Notes:

- \* **Handing** - the 386NL series trim is handed and not field reversible. Please specify handing, RHR or LHR.
- \*\* **Wood Doors** - 33A-WDA cover plate is required for the 360 series control and will be supplied at an additional, \$54 list add.
- Finish** - US3A, US4A, consult factory for lead time.
- Finish** - US15 finish available on series 35A only.
- Finish** - US10B finish has 313 finish device with US10B parts.

Prices subject to change without notice.

 Indicates products that have EPD documentation available and meet LEED v4.

# 33A/35A Series - Devices (continued)

3' Devices are priced complete with standard trim, strike(s) and sex bolts.  
 2' add \$75 list , 4' add \$18 list.  
 Cylinders are not included in price.

## EXIT HARDWARE

### Surface Vertical Rod Devices

(Price includes 266, 248L-4 and 304L Strikes)

	US26D	US28	313	US10	US4/4A	US3/3A US15 US26 643E	315	US10B	Weight lbs.			Standard Trim/Control
									2'	3'	4'	
33A/3527A-EO	2459	2100	2158	2180	2168	2556	3066	2618	13	16	19	-
33A/3527A-DT	2817	2458	2516	2684	2526	2980	3424	2976	16	19	22	386DT
33A/3527A-NL	3092	2733	2791	2962	2801	3304	3699	3251	17	20	23	386NL*
33A/3527A-NL-OP	2770	2411	2469	2633	2458	2867	3377	2929	17	19	21	388
33A/3527A-L	3186	2827	2885	2944	2798	3344	3793	3345	16	19	22	360L**
33A/3527A-L-BE	3150	2791	2849	2915	2749	3301	3757	3309	16	19	22	360L-BE**
33A/3527A-L-DT	3130	2771	2829	2889	2739	3283	3737	3289	16	19	22	360L-DT**
33A/3527A-TL	3571	3212	3270	3480	3174	3796	4178	3730	19	22	25	386DT/374T**
33A/3527A-TL-BE	3534	3175	3233	3448	3134	3755	4141	3693	19	22	25	386DT/374T-BE**
33A/3527A-T	3213	2854	2912	2976	2816	3372	3820	3372	19	22	25	360T**
33A/3527A-T-BE	3176	2817	2875	2944	2776	3331	3783	3335	19	22	25	360T-BE**

## FIRE EXIT HARDWARE

### Surface Vertical Rod Devices

(Price includes 299F and 304L Strikes)

33A/3527A-EO-F	2539	2149	2213	2237	2222	2645	3118	2712	13	16	19	-
33A/3527A-DT-F	2897	2507	2571	2741	2580	3069	3476	3070	17	20	23	386DT
33A/3527A-NL-F	3172	2782	2846	3019	2855	3393	3751	3345	17	20	23	386NL*
33A/3527A-NL-OP-F	2850	2460	2524	2690	2512	2956	3429	3023	13	16	19	388
33A/3527A-L-F	3266	2876	2940	3001	2852	3433	3845	3439	16	19	22	360L**
33A/3527A-L-BE-F	3230	2840	2904	2972	2803	3390	3809	3403	16	19	22	360L-BE**
33A/3527A-TL-F	3651	3261	3325	3537	3228	3885	4230	3824	18	22	25	386DT/374T**
33A/3527A-TL-BE-F	3614	3224	3288	3505	3188	3844	4193	3787	18	22	25	386DT/374T-BE**
33A/3527A-T-F	3293	2903	2967	3033	2870	3461	3872	3466	18	22	25	360T**
33A/3527A-T-BE-F	3256	2866	2930	3001	2830	3420	3835	3429	18	22	25	360T-BE**

### 33A/3527A Notes:

- \* **Handing** - the 386NL series trim is handed and not field reversible. Please specify handing, RHR or LHR.
- \*\* **Wood Doors** - 33A-WDA cover plate is required for the 360 series control and 10WDA for 370 series controls and will be supplied at an additional, **\$54 list add**.
- Finish** - US3A, US4A, consult factory for lead time.
- Finish** - US15 finish available on series 35A only.
- Finish** - US10B finish has 313 finish device with US10B parts.



**3' Devices are priced complete with standard trim, strike(s) and sex bolts.  
2' add \$75 list, 4' add \$18 list.  
Cylinders are not included in price.**

## EXIT HARDWARE

### Concealed Vertical Rod Devices

(Price includes 338 and 385A Strikes)

	US26D	US28	313	US10	US4/4A	US3/3A US15 US26 643E	315	US10B	Weight lbs.			Standard Control	Trim/
									2'	3'	4'		
<b>33A/3547A-EO</b>	2523	2116	2162	2212	2212	2613	3074	2634	12	16	18	-	
<b>33A/3547A-DT</b>	2881	2474	2520	2716	2570	3037	3432	2992	16	19	22	386DT	
<b>33A/3547A-NL</b>	3156	2749	2795	2994	2845	3361	3707	3267	18	20	22	386NL*	
<b>33A/3547A-NL-OP</b>	2834	2427	2473	2665	2502	2924	3385	2945	17	19	21	388	
<b>33A/3547A-L</b>	3250	2843	2889	2976	2842	3401	3801	3361	16	19	22	360L**	
<b>33A/3547A-L-BE</b>	3214	2807	2853	2947	2793	3358	3765	3325	16	19	22	360L-BE**	
<b>33A/3547A-L-DT</b>	3194	2787	2833	2921	2783	3340	3745	3305	16	19	22	360L-DT**	
<b>33A/3547A-TL</b>	3635	3228	3274	3512	3218	3853	4186	3746	20	22	24	386DT/376T**	
<b>33A/3547A-TL-BE</b>	3598	3191	3237	3480	3178	3812	4149	3709	20	22	24	386DT/376T-BE**	
<b>33A/3547A-T</b>	3277	2870	2916	3008	2860	3429	3828	3388	20	22	24	360T**	
<b>33A/3547A-T-BE</b>	3240	2833	2879	2976	2820	3388	3791	3351	20	22	24	360T-BE**	

## FIRE EXIT HARDWARE

### Concealed Vertical Rod Devices

(Price includes 338 and 385A Strikes)

<b>33A/3547A-EO-F</b>	2632	2248	2283	2355	2355	2727	3194	2784	14	16	18	-	
<b>33A/3547A-DT-F</b>	2990	2606	2641	2859	2713	3151	3552	3142	18	20	22	386DT	
<b>33A/3547A-NL-F</b>	3265	2881	2916	3137	2988	3475	3827	3417	18	20	22	386NL*	
<b>33A/3547A-NL-OP-F</b>	2943	2559	2594	2808	2645	3038	3505	3095	14	16	18	388	
<b>33A/3547A-L-F</b>	3359	2975	3010	3119	2985	3515	3921	3511	16	19	22	360L**	
<b>33A/3547A-L-BE-F</b>	3323	2939	2974	3090	2936	3472	3885	3475	16	19	22	360L-BE**	
<b>33A/3547A-TL-F</b>	3744	3360	3395	3655	3361	3967	4306	3896	20	22	24	386DT/376T**	
<b>33A/3547A-TL-BE-F</b>	3707	3323	3358	3623	3321	3926	4269	3859	20	22	24	386DT/376T-BE**	
<b>33A/3547A-T-F</b>	3386	3002	3037	3151	3003	3543	3948	3538	20	22	24	360T**	
<b>33A/3547A-T-BE-F</b>	3349	2965	3000	3119	2963	3502	3911	3501	20	22	24	360T-BE**	

#### 33A/3547A Notes:

- \* **Handing** - the 386NL series trim is handed and not field reversible. Please specify handing, RHR or LHR.
- \*\* **Wood Doors** - 33A-WDA cover plate is required for the 360 series control and 10WDA for 370 series controls and will be supplied at an additional, **\$54 list add**.
- Finish** - US3A, US4A, consult factory for lead time.
- Finish** - US15 finish available on series 35A only.
- Finish** - US10B finish has 313 finish device with US10B parts.

# 33A/35A Series - Devices

3' Devices are priced complete with standard trim, strike(s) and sex bolts.  
 2' add \$75 list, 4' add \$18 list.  
 Cylinders are not included in price.

## EXIT HARDWARE

### Concealed Vertical Rod Devices

(Price includes 338 and 385A Strikes)  
 For Hollow Metal doors

	US26D	US28	313	US10	US4/4A	US3/3A US15 US26 643E	315	US10B	Weight lbs.			Standard Trim/Control
									2'	3'	4'	
33A/3548A-EO	2819	2414	2458	2508	2508	2911	3372	2930	14	16	18	-
33A/3548A-DT	3177	2772	2816	3012	2866	3335	3730	3288	16	19	22	386DT
33A/3548A-NL	3452	3047	3091	3290	3141	3659	4005	3563	18	20	22	386NL*
33A/3548A-NL-OP	3130	2725	2769	2961	2798	3222	3683	3241	17	19	21	388
33A/3548A-L	3546	3141	3185	3272	3138	3699	4099	3657	16	19	22	360L
33A/3548A-L-BE	3510	3105	3149	3243	3089	3656	4063	3621	16	19	22	360L-BE
33A/3548A-L-DT	3490	3085	3129	3217	3079	3638	4043	3601	16	19	22	360L-DT
33A/3548A-TL	3931	3526	3570	3808	3514	4151	4484	4042	20	22	24	386DT/376T
33A/3548A-TL-BE	3894	3489	3533	3776	3474	4110	4447	4005	20	22	24	386DT/376T-BE
33A/3548A-T	3573	3168	3212	3304	3156	3727	4126	3684	20	22	24	360T
33A/3548A-T-BE	3536	3131	3175	3272	3116	3686	4089	3647	20	22	24	360T-BE

## FIRE EXIT HARDWARE

### Concealed Vertical Rod Devices

(Price includes 338 and 385A Strikes)  
 For Hollow Metal doors

33A/3548A-EO-F	2928	2543	2579	2653	2653	3022	3491	3082	14	16	18	-
33A/3548A-DT-F	3286	2901	2937	3157	3011	3446	3849	3440	18	20	22	386DT
33A/3548A-NL-F	3561	3176	3212	3435	3286	3770	4124	3715	18	20	22	386NL*
33A/3548A-NL-OP-F	3239	2854	2890	3106	2943	3333	3802	3393	14	16	18	388
33A/3548A-L-F	3655	3270	3306	3417	3283	3810	4218	3809	16	19	22	360L
33A/3548A-L-BE-F	3619	3234	3270	3388	3234	3767	4182	3773	16	19	22	360L-BE
33A/3548A-TL-F	4040	3655	3691	3953	3659	4262	4603	4194	20	22	24	386DT/376T
33A/3548A-TL-BE-F	4003	3618	3654	3921	3619	4221	4566	4157	20	22	24	386DT/376T-BE
33A/3548A-T-F	3682	3297	3333	3449	3301	3838	4245	3836	20	22	24	360T-BE
33A/3548A-T-BE-F	3645	3260	3296	3417	3261	3797	4208	3799	20	22	24	360T-BE

### 33A/3548A Notes:

- \* **Handing** - the 386NL series trim is handed and not field reversible. Please specify handing, RHR or LHR.
- Finish** - US3A, US4A, consult factory for lead time.
- Finish** - US15 finish available on series 35A only.
- Finish** - US10B finish has 313 finish device with US10B parts.

**3' Devices are priced complete with standard trim, strike(s) and sex bolts where shown.  
2' add \$75 list, 4' add \$18 list.  
Cylinders are not included in price.**

**For Concealed Vertical Cable Devices prices shown are for Door Opening Heights 6'0" -10'0"**

## EXIT HARDWARE

### Concealed Vertical Cable Devices

(Price includes 249 and 349 Strikes)

For Hollow Metal doors

	US26D	US28	313	US10	US4/4A	US3/3A US15 US26 643E	315	US10B	Weight lbs.			Standard Trim/Control
									2'	3'	4'	
33A/3549A-EO	2539	2130	2164	2227	2227	2631	3093	2667	12	16	18	-
33A/3549A-DT	2897	2488	2522	2731	2585	3055	3451	3025	16	19	22	386DT
33A/3549A-NL	3172	2763	2797	3009	2860	3379	3726	3300	18	20	22	386NL*
33A/3549A-NL-OP	2850	2441	2475	2680	2517	2942	3404	2978	17	19	21	388
33A/3549A-L	3266	2857	2891	2991	2857	3419	3820	3394	16	19	22	360L
33A/3549A-L-BE	3230	2821	2855	2962	2808	3376	3784	3358	16	19	22	360L-BE
33A/3549A-L-DT	3210	2801	2835	2936	2798	3358	3764	3338	16	19	22	360L-DT
33A/3549A-T	3293	2884	2918	3023	2875	3447	3847	3421	20	22	24	360T
33A/3549A-T-BE	3256	2847	2881	2991	2835	3406	3810	3384	20	22	24	360T-BE

## FIRE EXIT HARDWARE

### Concealed Vertical Cable Devices

(Price includes 249 and 349 Strikes)

For Hollow Metal doors

33A/3549A-EO-F	2644	2235	2269	2332	2332	2736	3198	2772	14	16	18	-
33A/3549A-DT-F	3002	2593	2627	2836	2690	3160	3556	3130	18	20	22	386DT
33A/3549A-NL-F	3277	2868	2902	3114	2965	3484	3831	3405	18	20	22	386NL*
33A/3549A-NL-OP-F	2955	2546	2580	2785	2622	3047	3509	3083	14	16	18	388
33A/3549A-L-F	3371	2962	2996	3096	2962	3524	3925	3499	16	19	22	360L
33A/3549A-L-BE-F	3335	2926	2960	3067	2913	3481	3889	3463	16	19	22	360L-BE
33A/3549A-T-F	3398	2989	3023	3128	2980	3552	3952	3526	20	22	24	360T
33A/3549A-T-BE-F	3361	2952	2986	3096	2940	3511	3915	3489	20	22	24	360T-BE

### 33A/3549A Notes:

- \* **Handing** - The 386NL series trim is handed and not field reversible. Please specify handing, RHR or LHR.
- Finish** - US3A, US4A, consult factory for lead time.
- Finish** - US15 finish available on series 35A only.
- Finish** - US10B finish has 313 finish device with US10B parts.
- Door Opening Height** - Specify door opening height if other than the default.  
For door opening heights more than 10', consult factory.

**For Concealed Vertical Cable Devices - Less Cable System (LCS) Deduct \$996 List**

Nominal Door Opening Height		Top Cable	Bottom Cable
72"-82"	6' - 6'10"	47250398	47250403
*>82"-96"	*6'10" - 8'	47250175	47250178
>96" - 110"	>8' - 9'2"	47250176	47250179
>110" - 120"	>9'2" - 10'	47250177	47250180

\*Default door opening height

Prices subject to change without notice.

 Indicates products that have EPD documentation available and meet LEED v4.

# 33A/35A Series - Devices

3' Devices are priced complete with standard trim, strike(s) and sex bolts.  
2' add \$75 list, 4' add \$18 list.  
Cylinders are not included in price.

## EXIT HARDWARE

### Wood Door Concealed Vertical Cable Devices

(Price includes 150 and 450 Strikes, Sex Bolts, and Scalp Plate)

	US26D	US28	313	US10	US4/4A	US3/3A US15 US26 643E	315	US10B	Weight lbs.			Standard Trim/Control
									2'	3'	4'	
33A/3550A-WDC-EO	2515	2274	2446	2536	2618	2797	3168	3017	12	16	18	—
33A/3550A-WDC-DT	2873	2632	2804	3040	2976	3221	3526	3375	16	19	22	386DT
33A/3550A-WDC-NL	3148	2907	3079	3318	3251	3545	3801	3650	18	20	22	386NL*
33A/3550A-WDC-NL-OP	2826	2585	2757	2989	2908	3108	3479	3328	17	19	21	388
33A/3550A-WDC-L	3296	3055	3227	3354	3302	3639	3949	3798	16	19	22	360L/33A-WDA
33A/3550A-WDC-L-BE	3260	3019	3191	3325	3253	3596	3913	3762	16	19	22	360L-BE/33A-WDA
33A/3550A-WDC-L-DT	3240	2999	3171	3299	3243	3578	3893	3742	16	19	22	360L-DT/33A-WDA
33A/3550A-WDC-T	3323	3082	3254	3386	3320	3667	3976	3825	20	22	24	360T/33A-WDA
33A/3550A-WDC-T-BE	3286	3045	3217	3354	3280	3626	3939	3788	20	22	24	360T-BE/33A-WDA

For Devices Less Cable System (LCS) Deduct \$1140 List

## FIRE EXIT HARDWARE

### Wood Door Concealed Vertical Cable Devices

(Price includes 150 and 450 Strikes, Sex Bolts, and Scalp Plate)

33A/3550A-WDC-EO-F	2815	2574	2746	2836	2918	3097	3468	3317	14	16	18	—
33A/3550A-WDC-DT-F	3173	2932	3104	3340	3276	3521	3826	3675	18	20	22	386DT
33A/3550A-WDC-NL-F	3448	3207	3379	3618	3551	3845	4101	3950	18	20	22	386NL*
33A/3550A-WDC-NL-OP-F	3126	2885	3057	3289	3208	3408	3779	3628	14	16	18	388
33A/3550A-WDC-L-F	3596	3355	3527	3654	3602	3939	4249	4098	16	19	22	360L/33A-WDA
33A/3550A-WDC-L-BE-F	3560	3319	3491	3625	3553	3896	4213	4062	16	19	22	360L-BE/33A-WDA
33A/3550A-WDC-T-F	3623	3382	3554	3686	3620	3967	4276	4125	20	22	24	360T/33A-WDA
33A/3550A-WDC-T-BE-F	3586	3345	3517	3654	3580	3926	4239	4088	20	22	24	360T-BE/33A-WDA

For Devices Less Cable System (LCS) Deduct \$1440 List

### 33A/3550A-WDC Notes:

- \* **Handing** - the 386NL series trim is handed and not field reversible. Please specify handing, RHR or LHR.
- Finish** - US3A, US4A, consult factory for lead time.
- Finish** - US15 finish available on series 35A only.
- Finish** - US10B finish has 313 finish device with US10B parts.
- Door Opening Height** - must be specified when placing an order.
- Other heights over 10' are available, consult factory for lead time.
- Non-standard Center Lines or Threshold installed** - consult customer support.

Standard Door Opening Height Range	Top Cable	Bottom Cable
6'8" - 7'0"	24648180	24647265
7'1" - 8'0"	24647273	24647265
8'1" - 9'0"	24647281	24647265
9'1" - 10'0"	24647299	24647265

Prices subject to change without notice.

 Indicates products that have EPD documentation available and meet LEED v4.

## Cylinder Dogging

(Not for use with Fire Exit Hardware)

Prefix		List Add
CD	Standard Baseplate Cylinder Dogging	100
LD	Less Dogging	N/C
CDSI	Cylinder Dogging w/ Indicator	329
HDSI	Hex Dogging w/ Indicator	237

## Pneumatic Devices

Prefix		Order Part Number	Each Price	List Add
PN	Pneumatic			1456
<b>Accessories</b>				
PNT-1	Pneumatic Power Transfer	012014-36		638
PN Connector	PN Adapter Kit - 5/32" to 1/4" LCN Tubing	051827-00		39
PN 5/32" Tubing	25' length	051828-00		26
	50' length	051823-00		34
	100' length	051824-00		58
	200' length	051825-00		109

## Pushbar Options

Suffix		List Add
BRAILLE	Vision Impaired Touchpad, Raised Letters and Braille (US32D) <b>Specify handing, RHR or LHR.</b> Standard reads "Caution Stairwell." Optional up to 20 alpha / numeric characters on single line, consult factory.	129
PUSH	Brass, Bronze and Stainless Touchbar trims embossed "PUSH". <b>Specify handing, RHR or LHR.</b> No additional charge when specified with device.	NC
RSS	Red Silkscreened Touchbar trims (Standard on SS devices). "Emergency Exit Only, Push to Open and Sound Alarm" No additional charge when specified with device. <b>Specify handing, RHR or LHR.</b>	NC
KN	Knurled Touchpad No additional charge when specified with device.	NC
SG	Safety Glow feature - for 3' device	469
	Safety Glow feature - for 4' device	488

## Weep Holes

Suffix		List Add
WH	Drainage (Weep) Holes in Mechanism Case 3' device will have 5 holes - 6" spacing, 4' device will have 7 holes	92

## Hurricane Device

Prefix		List Add
HH	33/3547A-F Device with Standard Strikes	N/C

## Door Thickness >2-1/4" - 4 1/4"

Suffix		List Add
Door Thickness > 2-1/4" - <= 4 1/4"	33A/35A with EO (exit only no trim)	92
	33A/35A with DT (386), NL (386) or NL-OP (388)	184
	33A/35A with L, L-BE (360)	226
	33A/35A with L-DT (360)	182

## Von Duprin Remote Undogging and Remote Monitoring Kit

- Modular Retrofit Kit for 98/99 and 33A/35A Series Devices
- Access control managed via an IP or RS-485 connection to the gateway through Allegion software alliance members.

\*\* Please note, ENGAGE cloud based management not available.\*\*

- Consult your access control software provider for pricing and specific scope of support.

For details regarding the configurations that are available, please see page 276 of the Schlage Electronics Price Book.

Prices subject to change without notice.

 Indicates products that have EPD documentation available and meet LEED v4.

# 33A/35A Series - Options

## Insulclad or Applied Panel

(Not available for fire door applications)

Suffix		List Add
INS-2	1/2" Panel - for 33/3547A devices. Order part number 050399	69
INS-4	1/4" Panel - for 33/3547A devices. Order part number 050398	69
INS-2-KIT-33/3549A	1/2" Panel - for 33/3549A devices. Order part number 24122277	69
INS-4-KIT-33/3549A	1/4" Panel - for 33/3549A devices. Order part number 24122293	69

## Electric Latch Retraction

See 33A/35A Product Catalog for required accessory equipment

Device Prefix	Description	List Add
EL	Electric Latch Retraction	976
HD-EL	Electric Latch Retraction with Hex Dogging (Panic Only)	976
QEL	Quiet Electric Latch Retraction	941
HD-QEL	Quiet Electric Latch Retraction with Hex Dogging (Panic Only)	941
QELX	Quiet Electric Latch Retraction for AX Devices	1001
HD-QELX	Quiet Electric Latch Retraction with Hex Dogging (Panic Only) for AX Devices	1001

## EL Conversion Kits

(Field Conversion Kits for Electric Latch Retraction)

	Standard		Allegion Connect -CON		List Price
	3' device	4' device	3' device	4' device	
EL Baseplate Conversion Kit	050070	050078	050853	050854	1138
HD-EL Baseplate Conversion Kit (Hex Dogging included - Panic Only)	050384	050385	050855	050856	1138

## QEL Conversion Kits

(Field Conversion Kits for Quiet Electric Latch Retraction)

	Standard		Allegion Connect -CON		List Price
	3' device	4' device	3' device	4' device	
<b>Baseplate Conversion Kits (May be used for ANY conversion application)</b>					
QEL Baseplate Conversion Kit	958003	040065	040063	040066	989
HD-QEL Baseplate Conversion Kit (Hex Dogging included - Panic Only)	958004	040067	040064	040068	989
QELX Baseplate Conversion Kit for AX devices	041166	041167	041168	041169	1049
HD-QELX Baseplate Conversion Kit for AX devices (Hex Dogging Included - Panic Only)	041170	041171	041172	041173	1049

**Modular Conversion Kits (For Non-EL Panic Devices, for Non-EL Fire-rated Devices sold after October 2014, or for replacing existing motor)**

QEL Modular Conversion Kit	114317	114317	040061	040061	941
HD-QEL Modular Conversion Kit (Hex Dogging included - Panic Only)	958002	958002	040062	040062	941
QELX Modular Conversion Kit for AX devices	041162	041162	041163	041163	1001
HD-QELX Modular Conversion Kit for AX devices (Hex Dogging Included - Panic Only)	041164	041164	041165	041165	1001

## Exit Alarm

Suffix

Suffix		List Add
ALK	Exit Alarm available on 33A, 35A series Panic and Fire Devices. Price includes switch - "RX" switch, "LX" is optional at no additional charge. For vertical rod tampering monitoring on Surface Vertical Devices, specify device with LX (Latch Bolt Monitor Switch). To order Less Switch, <b>Deduct \$256</b> list. 9 volt battery included.	635

## Switches

(available on all 33A/35A Series Devices)

Prefix		List Add
RX	Request to Exit	256
WP-RX	Waterproof Request to Exit	369
RX-LC	Request to Exit Low Current	297
RX-2	Request to Exit Double Switch	318
RX-AUX	RX to RX-2 Conversion - Order part number 050271.	266
* LX	Latchbolt Monitoring	256
* LX-LC	Latchbolt Monitoring Low Current	297
* LX-RX	Request to Exit / Latchbolt Monitoring combination	387
* LX-RX-LC	Request to Exit / Latchbolt Monitoring combination Low Current	464
SS	Signal Switch - for Rim and Vertical Rod Devices	524

\* For 33/3549A and 33/3550A-WDC, LX switch monitors trim input or electric dogging of EL/QEL devices. LX switch does not monitor latch condition. See page 107 for field-installed switch kit part numbers.

Prices subject to change without notice.

 Indicates products that have EPD documentation available and meet LEED v4.

# Options - 33A/35A Series

## Pullman Latches

(Not for use with Fire Exit Hardware)

Prefix		List Add
PL	33A/3527A Device PL Top and PL Bottom	268
	33A/3547A Device PL Top and PL Bottom	372
ES	33A/3527A Device LBR with PL Top Latch for electric strike application.	134
	33A/3547A Device LBR with PL Top Latch for electric strike application.	186

**NOTE: A Panic LBR device is one point latching not two point. Security of the opening may be compromised.**

## 49 Cable System

(Device Type and Door Opening Height must be specified when ordering)

Prefix Suffix		List Price
CS	<b>Complete Cable System</b> Includes: Top and Bottom Strikes, Latches, Centerslides, Cables and Mounting Packs	Door Opening Heights - 6'0" to 10'0" 996
CS LBL	<b>Cable System - Less Bottom Latch</b> Includes: Top Strike, Top Latch, Top Cable, Centerslides, Mounting Packs	Door Opening Heights - 6'0" to 10'0" 868
CS LBL - 49AFL	<b>Cable System - Less Bottom Latch - with Fire Pin Kit</b> Includes: Top Strike, Top Latch, Top Cable, Centerslides, Mounting Packs and Fire Pin Kit	Door Opening Heights - 6'0" to 10'0" 1024

For door opening heights less than 6'10" and more than 10', consult factory.  
Consult customer support for non-standard center lines or if a threshold is installed.

## 50 WDC Cable System

(Device Type and Door Height must be specified when ordering)

Prefix	Suffix		List Price
CS		<b>Complete Cable System</b> Includes: Top and Bottom Latches, Strikes, Cables, Centerslide, Mounting Packs	1140
CS	F	<b>Fire-Rated Complete Cable System</b> Includes: Top and Bottom Latches, Strikes, Cables, Centerslide, Mounting Packs, Fire kit	1440
CS	LBL	<b>Cable System - Less Bottom Latch</b> Includes: Top Latch, Strike, Cable, Centerslide, Mounting Packs	1012
CS	LBL-F	<b>Fire-Rated Cable System - Less Bottom Latch</b> Includes: Top Latch, Strike, Cable, Centerslide, Mounting Packs, Fire kit, Fire Pin kit	1468

## Chexit

(available on all 33A/35A Series Devices)

Prefix		List Add
CX	<b>Chexit – Controlled Exit Device</b> (15 Second Delay furnished standard) Chexit 33A/35A devices are only available with functions EO, DT, L-DT, L-BE x E360, T-BE x E360T DT Function requires an electric strike to access opening. For CX33/3527A panic and fire devices, two Rod Guards (RGO) supplied standard. <b>Add \$598 list</b> per device. For doors over 7' additional RGO's will be added as needed to protect the rods. For each additional RGO, <b>add \$299 List</b> . For latch protection, latch guards (LGO) found on page 100 can be ordered separately.	1865
<b>CX Options:</b>	<b>RCM</b> Remote Chexit Module	267
	* <b>RCM KIT-33A</b> Less Module - specify part number 040198-00 and finish.	267
	* <b>RCM KIT-35A</b> Less Module - specify part number 040199-00 and finish.	267
	<b>0 Delay</b> 0 Second Delay	137
	** <b>30 Delay</b> 30 Second Delay	137
	✓ <b>BOCA-15 Delay</b> 15 second delay with BOCA Modification	137
	✓** <b>BOCA-30 Delay</b> 30 second delay with BOCA Modification	137
	✓** <b>Other Delays</b> 2-60 Seconds in 2 Second Intervals or infinite delay	183

\* 15 second Module sold separately, specify part number 040086.

\*\*Over 15 second delay requires a letter of approval from the authority having local jurisdiction over the premises prior to the installation of the device.

Allegion cannot grant such approval nor does it warrant local jurisdiction compliance.

✓ Consult factory for lead time.

Chexit is not available with any electrical options (EL, QEL, PN).

Chexit is not available with any switches (RX, RXLC, RX2, WP-RX, LX, LXLC, LXR, LXRXC)

Prices subject to change without notice.

 Indicates products that have EPD documentation available and meet LEED v4.

# 33A/35A Series - Options

## Accessible Device

Prefix		List Add
AX	Accessible device compliant with the California Building Code (Section 11B-309.4) requirement for 5 lb. maximum operational force. Available on AX33/35A, AX33/35A-F Rim, AX33/3549A LBL and LBL-AFL. Trim functions available EO, DT, NL, L, LBE, LDT, T, and TBE. <b>EL and QELX options available.</b> Not available with CX.	64

## Connectors

Suffix		List Add
CON	Cross-category solution using interconnect components for electrified options. Available with ALK, LX, LXLC, LXR, LXRXC, RX and RXLC switches, CX, EL and QEL	N/C

## Electric Unlocking

Prefix		List Add
E	Electric Unlocking of outside Lever or Thumbturn Controls ( <b>BE Trim Only</b> ) 24VDC furnished standard. 12VDC available, consult factory for lead time. Specify Fail Secure (FSE) or Fail Safe (FS). Prefix Lever or Thumbturn Control with "E" Example: E360L-BE, E360T-BE E374TL-BE and E376TL-BE available, consult factory for lead time.	636

## Less Bottom Rod/Less Bottom Latch

(LBR/LBL Fire-Rated Devices must be ordered in pairs, and one Auxiliary Fire Pin (AFL) is furnished per pair.)

Suffix		Deduct	Add
LBR or LBR-AFL	33/3527LBR	120	
	33/3527-F-LBR (First Leaf)	N/C	
	33/3527-F-LBR-AFL (Second Leaf)	N/C	
	33/3547LBR	128	
	33/3547-F-LBR (First Leaf)	N/C	
LBL or LBL-AFL	33/3547-F-LBR-AFL (Second Leaf)	N/C	
	33/3549LBL	128	
	33/3549-F-LBL (First Leaf)	128	
	33/3549-F-LBL-AFL (Second Leaf)		28
	33/3550WDC-LBL	128	
	33/3550WDC-F-LBL (First Leaf)	128	
	33/3550WDC-F-LBL-AFL (Second Leaf)		28

## LBR/LBL Retrofit Kits for Fire-Rated Devices

	Contents	Part Number	List Price
33/3527-F LBR Kit	Auxiliary fire pin and two required 499F Strikes	050171-32	473
33/3547-F/47WDC-F/49-F LBR/LBL Kit	Auxiliary fire pin only	051860-32	156
33/3550WDC-F LBL Kit	Auxiliary fire pin, auxiliary fire latch strike, sleeve, and screws	48968887	162

## Anti-Microbial Finish

Suffix		List Add
AM	Antimicrobial Coating available in US26D and US32D, use suffix-AM when ordering. Example US26D-AM	
	<b>For Device with or without Trim</b>	70
	<b>For Trim Only (US26D-AM)</b>	33

## Quiet Mechanical

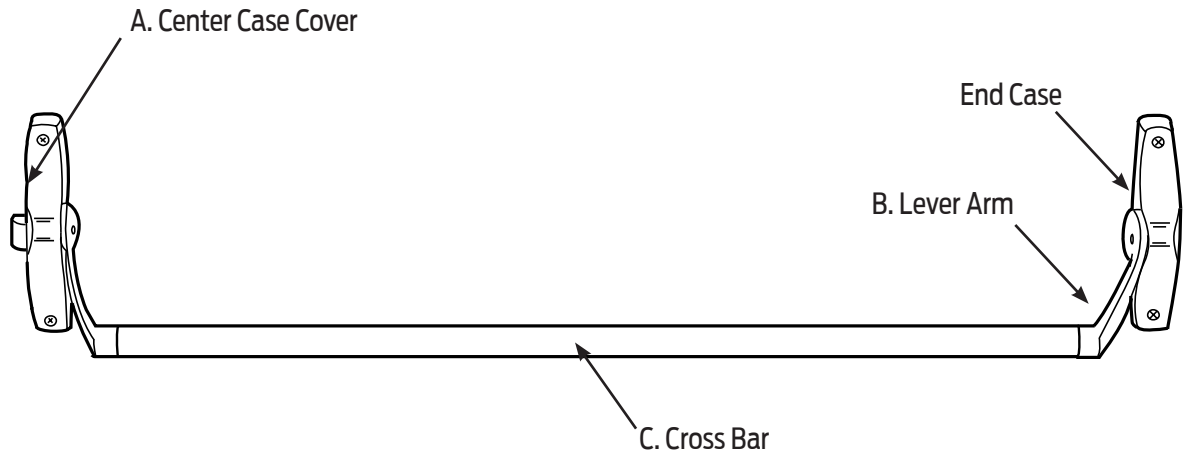
Prefix		List Add
QM	Controls motion to reduce operational noise. The QM device option provides damper-controlled re-latching. Available on 33A/35A rim and 33/3527A devices. Compatible with most of the device options including QEL, EL, AX, RX, and CD. Not available with CX and LX. Specify QM996 if quiet trim is desired.	191
		<b>Part Number</b>
	<b>QM Rim Device Retrofit Kit - 33A/35A Rim</b>	47259560
	<b>QM SVR Device Retrofit Kit - 33/3527A</b>	47263418
		<b>List Price</b>
		191
		191

Prices subject to change without notice.

 Indicates products that have EPD documentation available and meet LEED v4.



# Finish Chart - 55 Series



## Standard Finishes

Color	US Number	BHMA Number	A, B	C
Bright Brass	US3	605	Buffed Brass, Clear Coat	Buffed Brass, Clear Coat
Satin Brass	US4	606	Satin Brass, Clear Coat	Satin Brass, Clear Coat
Satin Bronze	US10	612	Plated, Clear Coat	Plated, Clear Coat
Satin Bronze, Oil-Rubbed	US10B	613	Oil-Rubbed	Oil-Rubbed
Polished Chrome	US26	625	Plated	Bright Stainless Steel US32, 629
Satin Chrome	US26D	626	Plated	Satin Stainless Steel US32D, 630
Satin Chrome - Antimicrobial	US26D-AM	626-AM	AM Clear over Chrome	AM Clear over Stainless
Aged Bronze	643E	-	Aged Bronze, Relieved	Aged Bronze, no Relief

## Special Finishes

Color	US Number	BHMA Number	A, B	C
Bright Brass - no Lacquer	US3A	-	Buffed Brass	Bright Brass US3A
Satin Brass - no Lacquer	US4A	-	Satin Brass	Satin Brass US4A
Painted Black	SPBLK	-	Painted	Painted Black, SPBLK

## 55 Series Sex Bolt Quantities

Application	625 Sex Bolts (Supplied)
55 and 5547WDC	4
5547 and 5575	2
5547 EO, DT, NL on Wood Door	4

Prices subject to change without notice.

# 55 Series - Summary

## EXIT HARDWARE

### Type of Device

<b>None</b> (Rim)	<b>5547</b> (Conc. Vertical)	<b>5547WDC</b> (Conc. Vert. WD)	<b>5575</b> (Mortise Lock, FS or FSE)
-------------------	------------------------------	---------------------------------	---------------------------------------

### Function

<b>EO</b> (Exit Only)	<b>DT</b> (Dummy Trim)	<b>L</b> (Lever-06 Standard)	<b>LDT</b> (Lever-Dummy Trim)
<b>NL</b> (Night Latch-Key Retracts)	<b>NLOP</b> (Night Latch, Opt. Pull)	<b>TLOP</b> (Turn Lever, Opt. Pull)	<b>TL</b> (Turn Lever)
<b>LBE</b> (Lever-Blank Escutcheon)	<b>TLBE</b> (Turn Lever - Blank Escutcheon)		

### Rating

<b>None</b> (Panic Exit Device)	<b>-F</b> (Fire Exit Device)
---------------------------------	------------------------------

### Device Finish

<b>US3</b> (Bright Brass)	<b>US4</b> (Satin Brass)	<b>US10</b> (Satin Bronze)	<b>US26</b> (Bright Chrome)
<b>US26D</b> (Satin Chrome)	<b>US10B</b> (Satin Bronze-Oil Rubbed)	<b>SPBLK</b> (Black Painted)	

### Device Handing

<b>RHR</b> (Right Hand Reverse)	<b>LHR</b> (Left Hand Reverse)
---------------------------------	--------------------------------

### Cross Bar Options

<b>RCB</b> (Reinforced Crossbar)	<b>KN</b> (Knurled)
----------------------------------	---------------------

### Switch Options

<b>RX</b> (Request to Exit)
-----------------------------

### Electric Options

<b>E</b> (Electric Locking- Mortise, FS or FSE)	<b>ES</b> (Pullman Latch for Electric Strike)
---	---

### Device Options

<b>CYL</b> (Include Cylinder)	<b>SLM</b> (Include SLM Blocking)
-------------------------------	-----------------------------------

### Rods For Concealed Vertical Devices only

<b>LBR</b> (Less Bottom Rod)
------------------------------

### Strike Series

<b>LS</b> (Less Strike)	<b>LTS</b> (Less Top Strike)	<b>1409</b> (Std. 55 Rim)	<b>472U</b> (Opt. 5547WDC 1-3/4)
<b>473U</b> (Opt. 5547WDC 2-1/4)	<b>264</b> (Opt. Rim or SV)	<b>471U</b> (Std. CV 5547)	<b>575</b> (Std. 5575 Mortise)
<b>299, 1410, 1606, 1609</b> (Opt. Rim)	<b>575-2</b> (Opt. 5575 Mortise)	<b>338</b> (Std. CV 5547)	<b>576A</b> (Opt. 5575 1-3/4)
<b>576B</b> (Opt. 5575 2-1/4)			

### Bottom Strike Series

<b>LBS</b> (Less Bottom Strike)	<b>301L</b> (Standard 5547-F)	<b>304L</b> (Standard 5547)	<b>385A</b> (Optional)
---------------------------------	-------------------------------	-----------------------------	------------------------

Prices subject to change without notice.

**Strike and Mortise Finish**

<b>US3</b> (Bright Brass)	<b>US4</b> (Satin Brass)	<b>US10</b> (Satin Bronze)	<b>US10B</b> (Satin Bronze-Oil Rubbed)
<b>US19</b> (Flat Black)	<b>MD</b> (e-Moly)	<b>SP313</b> (Dark Bronze)	<b>US32</b> (Bright Stainless)
<b>US32D</b> (Satin Stainless)	<b>US26</b> (Bright Chrome, N/A 5575)	<b>SP10</b> (Sprayed Bronze)	<b>US26D</b> (Satin Chrome, N/A 5575)
<b>US9A</b> (Pol. Bronze-no Lacquer)	<b>US10A</b> (Satin Bronze-no Lacquer)		

**Trim Options**

<b>LT</b> (Less Trim)	<b>550DT</b> (Dummy Trim)	<b>555NL</b> (Night Latch - HM)	<b>556NL</b> (Night Latch - WD)
<b>555NL-CA</b> (Night Latch w/Cyl-HM)	<b>LCA</b> (Less Cylinder Assy)	<b>609DT</b> (Dummy Trim)	<b>556NL-CA</b> (Night Latch w/Cyl-WD)
<b>376L</b> (std. 5547 Lever)	<b>376L-BE</b> (Lvr-Blank Escutcheon)	<b>376WDC-L</b> (5547 Lever)	<b>376WDC-LBE</b> (LBE for Wood Door)
<b>379L</b> (std. 55 Lever)	<b>379L-BE</b> (Lvr-Blank Escutcheon)	<b>110WD-NL</b> (Night Latch w/Cyl-WD)	<b>E376L-BE</b> (E-Trim)
<b>110MD-NL</b> (Night Latch w/Cyl-HM)			<b>E379L-BE</b> (E-Trim)
			<b>E376WDC-L-BE</b> (E-Trim)

**Trim/Control Finish**

<b>US3</b> (Bright Brass)	<b>US4</b> (Satin Brass)	<b>US10</b> (Satin Bronze)	<b>US10B</b> (Satin Bronze-Oil Rubbed)
<b>US9A</b> (Pol. Bronze-no Lacquer)	<b>US26D</b> (Satin Chrome)	<b>US26</b> (Bright Chrome)	<b>US10A</b> (Satin Bronze-no Lacquer)

**Control Options**

<b>LC</b> (Less Control)	<b>371</b> (Lever Control - 5547)	<b>375</b> (Lever Control - 5575)	<b>376T</b> (Thumbturn Control - 5547)
<b>376T WDC</b> (376T for Wood Door)	<b>379L</b> (Rim)		

**Control Lever Styles** 06 Lever Standard

<b>03K</b> (03 Knurled Lever)	<b>06K</b> (06 Knurled Lever)	<b>01, 02, 03, 06, 07, 12, 17</b> (Levers)
-------------------------------	-------------------------------	--

**Mortise Locks**

<b>LL</b> (Less Lock)	<b>7500</b> (Standard Mortise)	<b>E7500</b> (Electric Unlocking)
-----------------------	--------------------------------	-----------------------------------

**Mortise Lock E7500**

Specify **FS** (Fail Safe) or **FSE** (Fail Secure) **24VDC** standard, specify 12VDC if required.  
**DC** standard, specify **AC** if required.

**Mortise Lock Finish**

<b>US3</b> (Bright Brass)	<b>US4</b> (Satin Brass)	<b>US10</b> (Satin Bronze)	<b>US10B</b> (Satin Bronze-Oil Rubbed)
<b>US10A</b> (Satin Bronze-no Lacquer)	<b>US9A</b> (Pol. Bronze-no Lacquer)	<b>US32D</b> (Satin Stainless)	<b>US32</b> (Bright Stainless)

**Centerline Options**

<b>NY5547</b> (Lever at 45 13/16")	<b>NYCA5547</b> (Lever at 44")
------------------------------------	--------------------------------

Prices subject to change without notice.

# 55 Series - Summary (continued)

## Misc

10WDA (#10WDA Cover Plate)	589 (WD Cover Plate)
----------------------------	----------------------

## Door Material

AL (Aluminum Door)	HM (Hollow Metal)	WD (Wood Door)	CP (Composite Door)
--------------------	-------------------	----------------	---------------------

## Door Thickness

1.3/4 (1-3/4" Standard)	2 (2" Thickness)	2.1/4 (2-1/4" Thickness)
-------------------------	------------------	--------------------------

## Door Application

D (Double Egress)	P (Pair of Doors)	S (Single Door)
-------------------	-------------------	-----------------

Prices subject to change without notice.

# Devices - 55 Series

3' Devices shown are priced complete with standard trim, strikes, and sex bolts.  
4', add \$18 List.  
Cylinders are not included in price.

## EXIT HARDWARE

### Rim Devices

(Price includes 1409 Strike)

	US26D	US10B	US10	US4/4A	US3/3A US26 643E	SPBLK	Weight lbs.	Standard Trim/Control/Cover Plate
<b>55EO</b>	2839	2819	2654	2536	3080	3080	8	-
<b>55DT</b>	3367	3347	3182	2976	3623	3623	10	550DT
<b>55NL</b>	3500	3480	3315	3101	3758	3758	11	550DT/110MD/WD
<b>55NL-OP</b>	2972	2952	2787	2661	3215	3215		110MD/WD
<b>55L</b>	3743	3723	3465	3347	4107	3984	13	379L*
<b>55L-BE</b>	3708	3688	3435	3317	4064	3949	13	379L-BE*

## EXIT HARDWARE

### Concealed Vertical Rod Devices

(Price includes 471U and 304L Strikes)

<b>5547EO</b>	3478	3704	3335	3231	3883	3883	14	-
<b>5547DT</b>	4006	4232	3863	3671	4426	4426	16	550DT
<b>5547NL</b>	4256	4482	4124	3867	4681	4681	16	555NL
<b>5547NL-OP</b>	3853	4079	3711	3555	4268	4268		555CA
** <b>5547L</b>	4381	4607	4238	4029	4846	4786	17	376L
** <b>5547L-BE</b>	4346	4572	4203	3993	4812	4751	17	376L-BE
<b>5547TL</b>	4760	4986	4659	4319	5242	5180	19	550DT/376T
<b>5547TL-BE</b>	4723	4949	4627	4279	5201	5143	19	550DT/376T-BE

## FIRE EXIT HARDWARE

### Concealed Vertical Rod Devices

HOLLOW METAL DOORS ONLY

(Price includes 301L Strike)

<b>5547EO-F</b>	3698	3907	3693	3591	4094	4094	15	-
<b>5547DT-F</b>	4226	4435	4221	4031	4637	4637	18	550DT
<b>5547L-F</b>	4452	4661	4539	4239	4910	4848	18	371L
<b>5547L-BE-F</b>	4415	4624	4457	4199	4869	4811	18	371L-BE
<b>5547TL-F</b>	4825	5034	4899	4550	5322	5260	19	609DT/376T
<b>5547TL-BE-F</b>	4788	4997	4867	4510	5281	5223	19	609DT/376T-BE

### 55 Series Notes:

**Handing** - 55 Series devices are handed and field reversible. RHR handing is furnished standard when handing is not specified. Lever trim is handed and not field reversible, specify handing RHR or LHR.

\* **55 Rim** - for solid wood doors the #10 WDA cover plate is supplied at an additional **\$54 List Add**.

\*\* **5547L** - minimum control centerline of lever or thumbturn is 49-7/8" and the minimum stile width is 1-3/4".

**5547L** - if standard mounting height is required use 5547L-F x 371L

**5547-F** - Flush transom installation, specify #900614 Release Bracket, **\$125 list add** per device.

**Finish** - US3A, US4A, SPBLK consult factory for lead time.

Prices subject to change without notice.

# 55 Series - Devices (continued)

3' Devices shown are priced complete with standard trim, strikes, and sex bolts.  
4', add \$18 list.  
Cylinders are not included in price.

## EXIT HARDWARE

### Wood Door Concealed Vertical Rod Devices

(Price includes 338 and 304L Strikes and Scalp Plate)

	US26D	US10B	US10	US4/4A	US3/3A US26 643E	SPBLK	Weight lbs.	Standard Trim/Control/Cover Plate
5547WDC-EO	3983	4092	3433	3320	4222	4222	14	-
5547WDC-DT	4511	4620	3961	3760	4765	4765	16	550DT
5547WDC-NL	4761	4870	4222	3956	5020	5020	16	556NL
5547WDC-NL-OP	4358	4467	3809	3644	4607	4607		556CA
** 5547WDC-L	4940	5049	4390	4172	5239	5179	17	376WDC-L/10WDA
** 5547WDC-L-BE	4905	5014	4355	4136	5205	5144	17	376WDC-L-BE/10WDA
5547WDC-TL	5319	5428	4811	4462	5635	5573	19	550DT/376WDC-T/10WDA
5547WDC-TL-BE	5282	5391	4779	4422	5594	5536	19	550DT/376WDC-T-BE/10WDA

## FIRE EXIT HARDWARE

### Wood Door Concealed Vertical Rod Devices

(Price includes 338 and 304L Strikes and Scalp Plate)

5547WDC-EO-F	4004	4244	3779	3671	4245	4245	14	-
5547WDC-DT-F	4532	4772	4307	4111	4788	4788	16	550DT
5547WDC-NL-F	4782	5022	4568	4307	5043	5043	16	556NL
5547WDC-NL-OP-F	4379	4619	4155	3995	4630	4630		556CA
** 5547WDC-L-F	4961	5201	4736	4523	5262	5202	18	376WDC-L/10WDA
** 5547WDC-L-BE-F	4926	5166	4701	4487	5228	5167	18	376WDC-L-BE/10WDA
5547WDC-TL-F	5340	5580	5157	4813	5658	5596	19	550DT/376WDC-T/10WDA
5547WDC-TL-BE-F	5303	5543	5125	4773	5617	5559	19	550DT/376WDC-T-BE/10WDA

### 5547WDC Series Notes:

**Handing** - 55 Series devices are handed and field reversible. RHR handing is furnished standard when handing is not specified. Lever trim is handed and not field reversible, specify handing RHR or LHR.

\*\* 5547WDC-L-F - minimum centerline 45-13/16".

**Wood Frame applications** - specify 472U (1 3/4" Dr.) or 473U (2 1/4" Dr.) Top Strike.

**Finish** - US3A, US4A, SPBLK consult factory for lead time.

Prices subject to change without notice.

# Devices - 55 Series

3' Devices shown are priced complete with standard trim, strikes, and sex bolts.  
4', add \$18 list.  
Cylinders are not included in price.

## EXIT HARDWARE

### Mortise Lock Devices

(Price includes 575 Strike)

	US26D	US10B	US10	US4/4A	US3/3A US26 643E	SPBLK	Weight lbs.	Standard Trim/Control/Cover Plate
5575EO	2670	3239	2534	2419	3106	3106	12	–
5575DT	3198	3767	3062	2859	3649	3649	15	550DT
5575NL	3198	3767	3062	2859	3649	3649	15	550DT
5575L	3564	4133	3561	3211	4125	4000	15	375L*
5575L-BE	3527	4096	3526	3169	4080	3963	15	375L-BE*
5575L-DT	3507	4076	3507	3154	4065	3943	15	375L-DT*

## FIRE EXIT HARDWARE

### Mortise Lock Devices

(Price includes 575 Strike)

5575EO-F	2889	3244	2716	2655	3331	3331	12	–
5575DT-F	3417	3772	3244	3095	3874	3874	15	550DT
5575NL-F	3417	3772	3244	3095	3874	3874	15	550DT
5575L-F	3783	4138	3743	3447	4350	4225	15	375L*
5575L-BE-F	3746	4101	3708	3405	4305	4188	15	375L-BE*

### 5575 Notes:

**Handing** - 55 Series devices are handed and field reversible. RHR handing is furnished standard when handing is not specified.

Lever trim is handed and not field reversible, specify handing RHR or LHR.

**Door Thickness 2 1/4"** - for wood door is a Special Order Product Consult factory for lead time

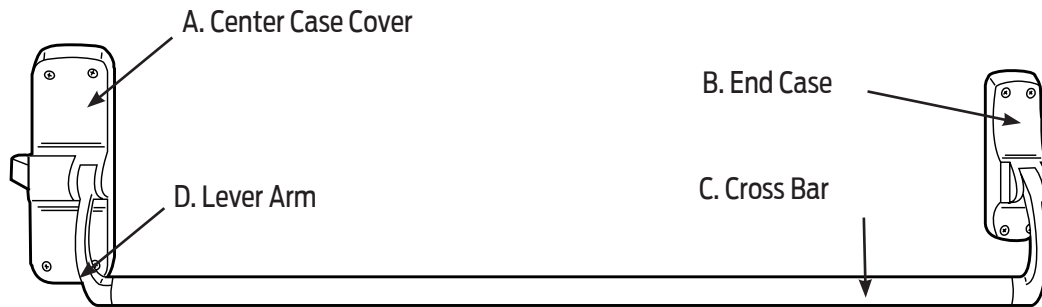
\* **Wood Doors** - 589 cover plate is required for 5575 devices on wood doors and will be supplied at an additional price. Refer to page 98 for price by finish.

**Finish** - US3A, US4A, SPBLK consult factory for lead time.

Options for the 55 Series can be found on page 52.

Prices subject to change without notice.

# 88 Series - Finish Chart



## Standard Finishes

Color	US Number	BHMA Number	A, B, D	C - Cross Bar Finishes
Bright Brass	US3	605	Buffed Brass, Clear Coat	Buffed Brass, Clear Coat
Satin Brass	US4	606	Satin Brass, Clear Coat	Satin Brass, Clear Coat
Satin Bronze	US10	612	Plated/ Anodized	Satin Bronze US10
Satin Bronze, Oil-Rubbed	US10B	613	Oil-Rubbed	Oil Rubbed, US10B, 613
Polished Chrome	US26	625	Plated	Bright Stainless Steel US32, 629
Satin Chrome	US26D	626	Plated	Satin Stainless Steel US32D, 630
Black	SPBLK	693	Powder Coat	Powder Coat, SPBLK, 693
Aged Bronze	643E	-	Aged Bronze, Relieved	Aged Bronze, no Relief

## Special Finishes

Color	US Number	BHMA Number	A, B, D	C - Touch Bar Trim Finishes
Bright Brass- no Lacquer	US3A	-	Buffed Brass	Bright Brass US3A
Satin Brass- no Lacquer	US4A	-	Satin Brass	Satin Brass US4A
Satin Chrome - Antimicrobial	US26D-AM	626-AM	AM Clear over Plated	AM - Clear over Satin Stainless Steel

**Note:** On a Fire Device "A" = Stainless Steel Substrate

## 88 Series Sex Bolt Quantities

Application	425 Sex Bolts (Optional)	For Composite or Wood Fire Doors 425 Sex Bolts (Supplied)
88 or 8875 with Trim	4	4
88 or 8875 EO (exit device only)	8	8
8827 with trim	12	12
8827 EO (exit device only)	16	16
8847	4	4

Prices subject to change without notice.



# Summary - 88 Series

## Type of Device

<b>None</b> (Rim)	<b>27</b> (Surface Vertical Rod)	<b>47</b> (Concealed Vertical Rod)	<b>75</b> (Mortise Lock)
-------------------	----------------------------------	------------------------------------	--------------------------

## Function

<b>EO</b> (Exit Only)	<b>DT</b> (Dummy Trim)	<b>L</b> (Lever-06 Standard)	<b>LDT</b> (Lever-Dummy Trim)
<b>NL</b> (Night Latch-Key Retracts)	<b>NLOP</b> (Night Latch, Opt. Pull)	<b>TLOP</b> (Turn Lever - Opt. Pull)	<b>TL</b> (Turn Lever)
<b>K</b> (Knob)	<b>KNL</b> (Knob Night Latch)	<b>KBE</b> (Knob Blank Escutcheon)	<b>KDT</b> (Knob Dummy)
<b>TP</b> (Thumbpiece)	<b>LBE</b> (Lever - Blank Escutcheon)	<b>TLBE</b> (Turn Lever - Blank Escutcheon)	
<b>TPNL</b> (Thumbpiece - Night Latch)	<b>TPBE</b> (Thumbpiece - Blank Escutcheon)		

## Rating

<b>None</b> (Panic Exit Device)	<b>- F</b> (Fire Exit Device)
---------------------------------	-------------------------------

## Device / Crossbar Finish

<b>US3</b> (Bright Brass)	<b>US3A</b> (US3 - No Lacquer)	<b>US4</b> (Satin Brass)	<b>US4A</b> (US4 - No Lacquer)
<b>US10</b> (Satin Bronze)	<b>US10B</b> (Brass, Oil Rubbed)	<b>US26</b> (Bright Chrome)	<b>US26D</b> (Satin Chrome)
<b>SPBLK</b> (Black)			

## Device Handing

<b>RHR</b> (Right Hand Reverse)	<b>LHR</b> (Left Hand Reverse)
---------------------------------	--------------------------------

## Cross Bar Options

<b>RCB</b> (Reinforced Crossbar)	<b>KN</b> (Knurled)
----------------------------------	---------------------

## Switch Options

<b>RX</b> (Request to Exit)
-----------------------------

## Electric Options

<b>E</b> (Electric Unlocking)
-------------------------------

## Device Options

<b>HH</b> (Hurricane)	<b>CYL</b> (Include Cylinder)	<b>PL</b> (Include Pullman Latch)	<b>SEC</b> (Include Security Screws)
<b>SNB</b> (Include Sex Bolts)	<b>SLM</b> (Include SLM Blocking)	<b>FL</b> (8847-F Device)	<b>FL</b> (8827-F, not UL Fire application)

## Rods For Surface / Concealed Vertical Devices only

<b>OPR</b> (1 piece Top Rod)	<b>LBR</b> (Less Bottom Rod)	<b>RG-27</b> (Rod / Latch Guard)	<b>RGO</b> (Rod Guard Only)
------------------------------	------------------------------	----------------------------------	-----------------------------

## Strike Series

<b>LS</b> (Less Strike)	<b>LTS</b> (Less Top Strike)	<b>264</b> (Opt. Rim)	<b>260U/UF</b> (Opt. SV Flush Transom)
<b>268</b> (Std. 88 Fire)	<b>299</b> (Std. 88 Rim)	<b>575</b> (Std. 8875 Mortise)	<b>575-2</b> (Opt. 8875 Mortise)
<b>576A</b> (Opt. 8875 1-3/4)	<b>576B</b> (Opt. 8875 2-1/4)	<b>1409</b> (Opt. 88 Rim)	<b>1410, 1606, 1609, 1610</b> (Opt. Rim)

Prices subject to change without notice.

# 88 Series - Summary (continued)

Bottom Strike Series			
LBS (Less Bottom Strike)	248L-4 (Surface)	301L / 304L (Mortise)	385A (Adjustable Mortise)
Strike Finish			
US3 (Bright Brass)	US4 (Satin Brass)	US10 (Satin Bronze)	US10B (Satin Bronze-Oil Rubbed)
US19 (Flat Black)	US26 (Bright Chrome)	US26D (Satin Chrome)	US32 (Bright Stainless)
US32D (Satin Stainless)	MD (e-Moly)	SP313 (Dark Bronze)	
Trim Options			
LT (Less Trim)	606 / 608 (Opt. Trim)	880 (Std. Trim)	880SA (Std. Vert. Surface Applied)
110MD / 110WD (Std. on NL-OP)	216D (Cylinder Anchor)	880WDF (Std. 88-F Rim wood / composite door)	
Trim Finish			
US3 / 3A (Bright Brass)	US4 / 4A (Satin Brass)	US10 (Satin Bronze)	US10B (Satin Bronze-Oil Rubbed)
US26 (Bright Chrome)	US26D (Satin Chrome)	SPBLK (Black Painted)	
Control Options			
LC (Less Control)	371 (Lever - 8847-F)	373 (Lever - 88 Rim, 8827 / 8875)	376T (Thumbturn Control -CV)
377T (Thumbturn - 8827)			
Control <small>Lever Styles 06 Lever Standard</small>			
03K (03 Knurled Lever)	06K (06 Knurled Lever)	01, 02, 03, 06, 07, 12, 17 (Levers)	
Control Finish			
US3 (Bright Brass)	US4 (Satin Brass)	US10 (Satin Bronze)	US10B (Satin Bronze-Oil Rubbed)
US26 (Bright Chrome)	US26D (Satin Chrome)	SPBLK (Black Painted)	
Mortise Lock E7500			
7500 (Standard Mortise Lock)	E7500 (Electric Unlocking)	LL (Less Lock)	DC standard, specify AC if required.
24VDC standard, specify 12VDC if required.		Specify FS (Fail Safe) or FSE (Fail Secure)	
Mortise Lock Finish			
US3/ 3A (Bright Brass)	US4 / 4A (Satin Brass)	US10 (Satin Bronze)	US10B (Satin Bronze-Oil Rubbed)
US32D (Satin Stainless)	SPBLK (Black)	US19 (Flat Black)	US32 (Bright Stainless)
Misc			
LCP (Less Cover Plate)	10WDA (#10WDA Cover Plate)	889R / 889M / 889V (373L w / Sexbolts Cover Plates)	
Door Material			
AL (Aluminum Door)	HM (Hollow Metal)	WD (Wood Door)	CP (Composite Door)
Door Thickness			
1.3/4 (1-3/4" Standard)	2 (2" Thickness)	2.1/4 (2-1/4" Thickness)	
Door Application			
D (Double Egress)	P (Pair of Doors)	S (Single Door)	
MSV / MCV (Mortise Surface / Concealed Vert.)			

Prices subject to change without notice.

# Devices - 88 Series

3' Devices shown are priced complete with standard trim and strikes.  
4', add \$18 list.  
Cylinders and sex bolts are not included in price.

## EXIT HARDWARE

### Rim Devices

(Price includes 299 Strike)

	US26D	US10B	US10	US4/4A	US3/3A US15 US26 643E	SPBLK	Weight lbs.	Standard Trim/Control
** 88EO	1473	1643	1517	1431	1826	1826	11	-
88DT	1745	1934	1864	1642	2178	2178	13	880DT-R
88NL	1764	1957	1890	1655	2205	2205	13	880NL-R
88TP	1773	1963	1937	1716	2249	2249	14	880TP-R
88TP-BE	1773	1963	1937	1716	2249	2249	14	880TP-BE-R
88K	1825	2021	1963	1716	2276	2276	13	880K-R
88K-BE	1825	2021	1963	1716	2276	2276	13	880K-BE-R
88K-DT	1825	2021	1963	1716	2276	2276	13	880K-DT-R
88K-NL	1825	2021	1963	1716	2276	2276	13	880K-NL-R
88L	2166	2336	2114	2028	2642	2519	14	373L*
88L-BE	2131	2301	2078	1992	2601	2484	14	373L-BE*
88L-DT	2114	2284	2055	1969	2580	2467	14	373L-DT*

## FIRE EXIT HARDWARE

### Rim Devices

(Price includes 268 Strike)

** 88EO-F	1858	2096	1836	1748	2333	2333	11	-
88DT-F	2130	2387	2183	1959	2685	2685	13	880DT-R
88NL-F	2149	2410	2209	1972	2712	2712	13	880NL-R
88TP-F	2158	2416	2256	2033	2756	2756	13	880TP-R
88TP-BE-F	2158	2416	2256	2033	2756	2756	13	880TP-BE-R
88K-F	2210	2474	2282	2033	2783	2783	13	880K-R
88K-BE-F	2210	2474	2282	2033	2783	2783	13	880K-BE-R
88K-NL-F	2210	2474	2282	2033	2783	2783	13	880K-NL-R
88L-F	2551	2789	2433	2345	3149	3026	14	373L*
88L-BE-F	2516	2754	2397	2309	3108	2991	14	373L-BE*

### 88 Rim Notes:

**Handing** - 88-F Rim and all devices specified with lever trim are handed and not field reversible, specify handing RHR or LHR.

**Finish** - US15, US3A, US4A, consult factory for lead time.

\* **Composite Doors** - 889 cover plate is required for sex bolt applications using 373 lever controls and will be supplied at an additional price. Refer to page 98 for price by finish.

\*\* **Cylinder Plate for NLOP Function** - included with EO device.

Prices subject to change without notice.

# 88 Series - Devices (continued)

3' Devices shown are priced complete with standard trim and strikes.  
4', add \$18 list.  
Cylinders and sex bolts are not included in price unless noted.

## EXIT HARDWARE

### Surface Vertical Rod Devices

(Price includes 299, 248L-4, and 304L Strikes)

	US26D	US10B	US10	US4/4A	US3/3A US15 US26 643E	SPBLK	Weight lbs.	Standard Trim/Control
8827EO	2094	2282	2018	1903	2448	2448	13	-
8827DT	2366	2573	2365	2114	2800	2800	17	880DT-V&M
8827TP	2394	2602	2438	2188	2871	2871	17	880TP-V
8827TP-BE	2394	2602	2438	2188	2871	2871	17	880TP-BE-V
8827TP-NL	2394	2602	2438	2188	2871	2871	17	880TP-V
8827K	2446	2660	2464	2188	2898	2898	17	880K-V
8827K-BE	2446	2660	2464	2188	2898	2898	17	880K-BE-V
8827K-DT	2446	2660	2464	2188	2898	2898	17	880K-DT-V
8827K-NL	2446	2660	2464	2188	2898	2898	17	880K-V
8827L	2787	2975	2615	2500	3264	3141	17	373L*
8827L-BE	2752	2940	2579	2464	3223	3106	17	373L-BE*
8827L-DT	2735	2923	2556	2441	3202	3089	17	373L-DT*
8827TL	3120	3327	3161	2762	3616	3554	20	880DT-V&M/377T**
8827TL-BE	3083	3290	3129	2722	3575	3517	20	880DT-V&M/377T-BE**

## FIRE EXIT HARDWARE

### Surface Vertical Rod Devices

(Price includes 304L Strike)

8827EO-F	2862	2984	2705	2593	3215	3215	14	-
8827DT-F	3134	3275	3052	2804	3567	3567	18	880DT-V&M
8827TP-F	3162	3304	3125	2878	3638	3638	18	880TP-V
8827TP-BE-F	3162	3304	3125	2878	3638	3638	18	880TP-V
8827TP-NL-F	3162	3304	3125	2878	3638	3638	18	880TP-BE-V
8827K-F	3214	3362	3151	2878	3665	3665	17	880K-V
8827K-BE-F	3214	3362	3151	2878	3665	3665	17	880K-BE-V
8827K-NL-F	3214	3362	3151	2878	3665	3665	17	880K-V
8827L-F	3555	3677	3302	3190	4031	3908	19	373L*
8827L-BE-F	3520	3642	3266	3154	3990	3873	19	373L-BE*
8827TL-F	3888	4029	3848	3452	4383	4321	20	880DT-V&M/377T**
8827TL-BE-F	3851	3992	3816	3412	4342	4284	20	880DT-V&M/377T-BE**

### 8827 Notes:

**Handing** - Lever trim is handed and not field reversible, specify handing RHR or LHR.

**Finish** - US15, US3A, US4A, consult factory for lead time.

\* **Composite Doors** - 889 cover plate is required for sex bolt applications using 373 lever controls and will be supplied at an additional price. Refer to page 98 for price by finish.

\*\* **Wood Doors** - 10WDA cover plate is required for the 370 series controls and will be supplied at an additional, **\$54 list add**.

Prices subject to change without notice.

**3' Devices shown are priced complete with standard trim and strikes.  
4', add \$18 list.  
Cylinders and sex bolts are not included in price.**

**FIRE EXIT HARDWARE****Concealed Vertical Rod Devices**

(Price includes 301L Strike)

**Hollow Metal Doors Only**

	US26D	US10B	US10	US4/4A	US3/3A US15 US26 643E	SPBLK	Weight lbs.	Standard Trim/Control
<b>8847EO-F</b>	2486	2616	2445	2356	2919	2919	12	-
<b>8847L-F</b>	3240	3370	3291	3004	3735	3673	17	371L
<b>8847L-BE-F</b>	3203	3333	3209	2964	3694	3636	17	371L-BE
<b>8847TL-F</b>	3512	3661	3588	3215	4087	4025	18	880DT-V-SA/376T**
<b>8847TL-BE-F</b>	3475	3624	3556	3175	4046	3988	18	880DT-V-SA/376T-BE**

**EXIT HARDWARE****Mortise Lock Devices**

(Price includes 575 Strike)

<b>8875EO</b>	1986	2289	2045	1960	2349	2349	13	-
<b>8875DT</b>	2258	2580	2392	2171	2701	2701	15	880DT-V&M
<b>8875NL</b>	2277	2603	2418	2184	2728	2728	15	880NL-M
<b>8875TP</b>	2286	2609	2465	2245	2772	2772	16	880TP-M
<b>8875TP-BE</b>	2286	2609	2465	2245	2772	2772	16	880TP-BE-M
<b>8875K</b>	2338	2667	2491	2245	2799	2799	15	880K-M
<b>8875K-BE</b>	2338	2667	2491	2245	2799	2799	15	880K-BE-M
<b>8875K-DT</b>	2338	2667	2491	2245	2799	2799	15	880K-DT-M
<b>8875L</b>	2679	2982	2642	2557	3165	3042	16	373L*
<b>8875L-BE</b>	2644	2947	2606	2521	3124	3007	16	373L-BE*
<b>8875L-DT</b>	2627	2930	2583	2498	3103	2990	16	373L-DT*

**FIRE EXIT HARDWARE****Mortise Lock Devices**

(Price includes 575 Strike)

<b>8875EO-F</b>	2146	2768	2207	2123	2526	2526	13	-
<b>8875DT-F</b>	2418	3059	2554	2334	2878	2878	15	880DT-V&M
<b>8875NL-F</b>	2437	3082	2580	2347	2905	2905	15	880NL-M
<b>8875TP-F</b>	2446	3088	2627	2408	2949	2949	16	880TP-M
<b>8875TP-BE-F</b>	2446	3088	2627	2408	2949	2949	16	880TP-BE-M
<b>8875K-F</b>	2498	3146	2653	2408	2976	2976	15	880K-M
<b>8875K-BE-F</b>	2498	3146	2653	2408	2976	2976	15	880K-BE-M
<b>8875L-F</b>	2839	3461	2804	2720	3342	3219	16	373L*
<b>8875L-BE-F</b>	2804	3426	2768	2684	3301	3184	16	373L-BE*

**8847/8875 Notes:****Handing** - 8847-F, 8875, 8875-F and all devices specified with lever trim are handed and not field reversible, specify handing RHR or LHR.**Finish** - US15, US3A, US4A, consult factory for lead time.**Dogging** - 8847-F device is available with dogging less fire label at no additional charge. Specify 8847-F w/dogging. Consult factory for lead time.\* **Composite Doors** - 889 cover plate is required for sex bolt applications using 373 lever controls and will be supplied at an additional price.

Refer to page 98 for price by finish.

\*\* **Wood Doors** - 10WDA cover plate is required for the 370 series controls and will be supplied at an additional, **\$54 list add.**

Prices subject to change without notice.

# 55/88 Series - Options

## Crossbar Options

Suffix		List Add
RCB	Reinforced Crossbar	108
KN	Knurled Crossbar (KN must be ordered as 4' device; cut bar as needed)	125

## Pullman Latches

Prefix		List Add
PL	8827-LBR with PL Top, for use with e-strike. Shipped less label, Non-Fire device only.	115
ES	ES Pullman Top Latch for 5547 Device (Metal doors, LBR only)	279

## Flush Transom Installation

(Available on 8827-F and 8847-F)

Prefix		List Add
FL	8827-F Device (Not a UL Fire Exit Hardware listed application)	410
FL	8847-F Device	100

## Electric Unlocking

Prefix		List Add
E Electric Unlocking ("BE" Lever Trim Only)	Available on the following <b>Mortise Lock Devices:</b> <b>5575 Series:</b> 5575L-BE, 5575L-BE-F <b>8875 Series:</b> 8875K or K-BE, 8875K-F or K-BE-F, 8875L-BE, 8875L-BE-F, 8875TP or TP-BE, 8875TP-F or TP-BE-F Specify <b>Fail Secure (FSE) or Fail Safe (FS)</b> . For <b>24VAC</b> installation a <b>SO24 Rectifier Kit</b> will be supplied at an additional <b>\$43 list add</b> . <b>NOTE:</b> SO rectifier kit intended for fail secure / momentary use only. Contact product support for assistance.	636
E Electric Unlocking ("BE" Trim Only)	Available on the following <b>Lever or Thumbturn Controls.</b> <b>55 Series:</b> 371L-BE, 376L-BE, 376WDC-L-BE, 379L-BE, 376T-BE, 376WDC-T-BE <b>88 Series:</b> 371L-BE, 373L-BE, 376T-BE, 377T-BE 24VDC furnished standard. <b>Prefix</b> Lever or Thumbturn Control with "E". Example: <b>E371L-BE</b>	636

## Switches

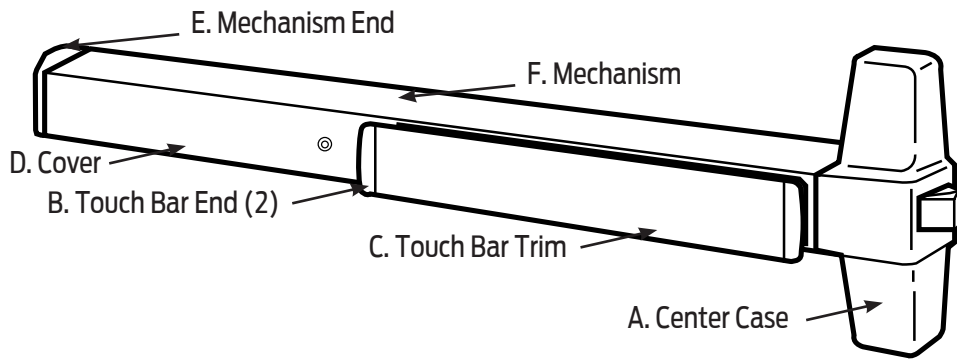
Prefix		List Add
RX	Crossbar monitor switch in end case. Factory Install Only.	256

## Centerline Options

Prefix		List Add
NY5547 (L,LBE, LDT)	Lever at 45 13/16", Device at std centerline 39-13/16" from finished floor, Up to 10" opening (Metal doors)	N/C
NYCA5547 (L,LBE,LDT)	Lever at 44", Device at centerline 38" from finished floor, Up to 8' opening (Metal doors)	77

Prices subject to change without notice.

# Finish Chart - 98/99 Series



## Standard Finishes

Color	US Number	BHMA Number	A, B, E	C -Touch Bar Trim Finishes	D, F
Bright Brass	US3	605	Bright Brass	Bright Brass US3, 605	Buffed Anodized
Satin Brass	US4	606	Satin Brass	Satin Brass US4, 606	Anodized
Satin Bronze	US10	612	Plated/Anodized	Satin Bronze US10, 725	Anodized
Satin Bronze, Oil-Rubbed	US10B	613	Oil-Rubbed	Oil-Rubbed, US10B	Powder Coat
Satin Nickel	US15	619	Plated, Clear Powder Coat	Satin Stainless Steel US32D, 630	Anodized
Polished Chrome	US26	625	Plated	Bright Stainless Steel US32, 629	Buffed Anodized
Satin Chrome	US26D	626	Plated	Satin Stainless Steel US32D, 630	Anodized
Anodized Aluminum	US28	628	Powder Coat	Satin Stainless Steel US32D, 630	Anodized
Satin Stainless Steel	US32D	630	Stainless Steel	Satin Stainless Steel US32D, 630	Anodized
Duranodic Dark Bronze	313	710	Powder Coat	Powder Coat 313, 710	Powder Coat
Black	315	711	Powder Coat	Powder Coat 315, 711	Powder Coat
Aged Bronze, 643E	--	--	(A) Aged Bronze, No Relief (B, E) Relieved Aged Bronze	Relieved Aged Bronze	Aged Bronze, No Relief

US32D and US15 finishes available on Series 98 only.

## Special Finishes

Color	US Number	BHMA Number	A, B, E	C -Touch Bar Trim Finishes	D, F
Bright Bronze	US9	611	Plated	Bright Bronze US9, 611	Buffed Anodized
Satin Chrome, Antimicrobial	US26D-AM	626-AM	AM Clear over Chrome	AM Clear over Satin Stainless Steel US32D, 630	AM Clear over Anodized
Satin Stainless Steel, Antimicrobial	US32D-AM	630-AM	AM Clear over Stainless Steel	AM Clear over Satin Stainless Steel US32D, 630	AM Clear over Anodized
Powder Coat	RAL # *	--	Powder Coat	Powder Coat	Powder Coat

\* See Finish page for optional RAL color information.

### FINISH NOTES:

US32D and US15 finishes available on Series 98 only.

Devices ordered in US28 and US32D will be supplied with Trims in US26D.

## 98/99 Series Sex Bolt Quantities

Application	Sex Bolt 325 (Supplied)	425 Sex Bolt (Supplied)	425 Sex Bolt (Optional)	825 Sex Bolt (Supplied)
DT, EO, NL, TP, K or L Device with trim			2	
99 NLOP Device with 110MD/WD			6	
9927 NLOP Device with 110MD/WD			6	
99 EO Device (exit device only)			6	
9927 EO Device (exit device only)			6	
9947 EO Device (exit device only)			6	
99-F Wood Door with trim				2
Windstorm Device	12	6		

Prices subject to change without notice.

 Indicates products that have EPD documentation available and meet LEED v4.

# 98/99 Series - Summary

## Type of Device

<b>None</b> (Rim)	<b>27</b> (Surface Vertical Rod)	<b>57</b> (Surface Three Point Latch)	<b>75</b> (Mortise Lock)
<b>47 / 48</b> (Concealed Vertical Rod)	<b>47 WDC</b> (Wood Door Concealed Vertical Rod)		<b>49</b> (Concealed Vertical Cable)
<b>50WDC</b> (Wood Door Concealed Vertical Cable)			

## Function

<b>EO</b> (Exit Only)	<b>DT</b> (Dummy Trim)	<b>L</b> (Lever-06 Standard)	<b>LDT</b> (Lever-Dummy Trim)
<b>NL</b> (Night Latch-Key Retracts)	<b>NLOP</b> (Night Latch, Opt. Pull)	<b>LNL</b> (Lever-Night Latch)	<b>TL</b> (Turn Lever)
<b>HL</b> (Hospital Latch)	<b>K</b> (Knob)	<b>KBE</b> (Knob Blank Escutcheon)	<b>KDT</b> (Knob Dummy)
<b>KNL</b> (Knob Night Latch)	<b>LBE</b> (Lever-Blank Escutcheon)	<b>TLBE</b> (Turn Lever - Blank Escutcheon)	
<b>TP</b> (Thumbpiece)	<b>TLOP</b> (Turn Lever, Opt. Pull)	<b>TPBE</b> (Thumbpiece - Blank Escutcheon)	

## Rating

<b>None</b> (Panic Exit Device)	<b>- F</b> (Fire Exit Device)
---------------------------------	-------------------------------

## Device Finish

<b>US3</b> (Bright Brass)	<b>US4</b> (Satin Brass)	<b>US10</b> (Satin Bronze)	<b>US28</b> (Anodized Aluminum)
<b>US26</b> (Bright Chrome)	<b>US26D</b> (Satin Chrome)	<b>US26D-AM</b> (Antimicrobial)	<b>313</b> (Duranodic Dark Bronze)
<b>315</b> (Black)	<b>643E</b> (Aged Bronze)	<b>US10B</b> (Satin Bronze- Oil Rubbed)	
<b>US32D / 32D-AM</b> (Satin Stainless Steel) & <b>US15</b> (Satin Nickel) 98 Series only			

## Device Length (Feet and Inches)

<b>2'</b> (2' Device for 2' Door - Vertical Device only)	<b>3'</b> (3' Device for 2' 4" - 3' Door)	<b>4'</b> (4' Device for 2' 10" - 4' Door)
--	---	--

## Device Handing

<b>RHR</b> (Right Hand Reverse)	<b>LHR</b> (Left Hand Reverse)
---------------------------------	--------------------------------

## Touch Bar Trim Options

<b>RSS</b> (Emergency Exit- US32D only)	<b>PUSH</b> (Embossed - Push)	<b>SG</b> (Safety Glow)	<b>KN</b> (Knurled)	<b>BRAILLE</b> (Braille)
<b>WH</b> (Drainage/Weep Holes in Mechanism Case - 3' device will have 4 holes - 6" spacing, 4' device will have 6 holes - 6" spacing)				

## Touch Bar Finish

<b>US3</b> (Bright Brass)	<b>US4</b> (Satin Brass)	<b>US10</b> (Satin Bronze)	<b>US19</b> (Flat Black)
<b>US32</b> (Bright Stainless)	<b>340</b> (Photoluminescent)	<b>US32D</b> (Satin Stainless)	<b>313</b> (Duranodic Dark Bronze)

## Dogging Options

<b>CD</b> (Cylinder Dogging - Panic Only)	<b>HD</b> (Hex Dogging)	<b>LD</b> (Less Dogging)	<b>CI</b> (Cylinder Dogging Indicator)
<b>DI</b> (Dogging Indicator)	<b>SD</b> (Special Dogging)	<b>CDSI</b> (Cylinder Dogging w/Indicator)	<b>HDSI</b> (Hex Dogging w/Indicator)

## Switch Options

<b>LX</b> (Latchbolt Monitoring)	<b>LXLC</b> (LBM Low Current)	<b>RX</b> (Request to Exit)	<b>RXLC</b> (Request to Exit Low Current)
<b>RX2</b> (Request to Exit Double Switch)	<b>LXRX</b> (LBM Request to Exit)	<b>LXRXLC</b> (LBM Request to Exit Low Current)	
<b>WP-RX</b> (Waterproof Request to Exit)			

Prices subject to change without notice.

 Indicates products that have EPD documentation available and meet LEED v4.



**Electric Options**

<b>EL</b> (Electric Latch Retraction)	<b>FS</b> (Fail Safe)	<b>E</b> (Electric Mortise Lock)	<b>ES</b> (Electric Strike)
<b>FSE</b> (Fail Secure)	<b>CX</b> (Chexit - Controlled Exit)	<b>CXR</b> (CX-RCM)	<b>ALK</b> (Standard Alarm Kit)
<b>SS</b> (Signal Switch, Rim or Mortise)	<b>QEL</b> (Quiet Electric Latch Retraction)		

**Device Options**

<b>HHCX</b> (Hurricane CX)	<b>HHCXR</b> (Hurricane CX-RCM)	<b>HH</b> (Hurricane)	<b>WS</b> (Windstorm)
<b>PL</b> (Include Pullman Latch)	<b>AX</b> (Accessible Device)	<b>SNB</b> (Sex Bolts)	<b>GBK</b> (Include GBK)
<b>-2</b> (Double Cylinder)	<b>SLM</b> (Include SLM Blocking)	<b>PN</b> (Pneumatic)	<b>CYL</b> (Include Cylinder)
<b>SEC</b> (Include Security Screws)	<b>-2S1</b> (Cylinder Dogging with Security Indicator)		

**Rods** For Surface / Concealed Vertical Devices only

<b>OPR</b> (1 piece Top Rod)	<b>LBL</b> (Less Bottom Cable)	<b>LBLAFL</b> (LBL with Aux. Fire Pin)	<b>LBR</b> (Less Bottom Rod)
<b>LBRAFL</b> (LBR with Aux. Fire Pin)			

**Strike Series**

<b>LS</b> (Less Strike)	<b>LTS</b> (Less Top Strike)	<b>260U / 260UF</b> (Opt. SV Flush Transom)	<b>249</b> (Std. 49)
<b>264</b> (Opt. Rim or SV)	<b>283</b> (Opt. CV - Wood Frame)	<b>299 / 299F</b> (Std. SV)	<b>338</b> (Std. CV)
<b>499F</b> (Std. SV Fire LBR)	<b>575 / 575-2</b> (Std. Mortise)	<b>576A</b> (Mortise, pairs 1-3/4 Dr)	<b>576B</b> (Mortise, pairs 2-1/4 Dr)
		<b>1409, 1410, 1439, 1606, 1609</b> (Opt. Rim)	

**Bottom Strike Series**

<b>LBS</b> (Less Bottom Strike)	<b>248L-4</b> (Surface)	<b>304L</b> (Mortise)	<b>349</b> (Std. 49)	<b>385A</b> (Adjustable Mortise)
---------------------------------	-------------------------	-----------------------	----------------------	----------------------------------

**Strike Finish**

<b>US3</b> (Bright Brass)	<b>US4</b> (Satin Brass)	<b>US10</b> (Satin Bronze)	<b>US10B</b> (Satin Bronze-Oil Rubbed)
<b>US19</b> (Flat Black)	<b>US26</b> (Bright Chrome)	<b>US26D</b> (Satin Chrome)	<b>US32</b> (Bright Stainless)
<b>US32D</b> (Satin Stainless)	<b>MD</b> (e-Moly)	<b>SP10</b> (Sprayed Bronze)	<b>SP313</b> (Dark Bronze)

**Trim Options**

<b>LT</b> (Less Trim)	<b>RX996</b> (Request to Exit 996)	<b>VR910</b> (Vandal Resistant)	<b>110MD / 110WD</b> (Std. on NL-OP)
<b>392-7</b> (Opt. Pull Dummy Trim)	<b>990</b> (Std. Rim)	<b>996</b> (Std. Lever Trim)	<b>E996</b> (Electric 996)
<b>697 / 697WDF</b> (Opt. Lever Trim)	<b>696 / 696WDF</b> (Opt. Lever Trim)	<b>M996</b> (Motorized 996)	

**Trim / Control / Mortise Finish**

<b>US3</b> (Bright Brass)	<b>US4</b> (Satin Brass)	<b>US10</b> (Satin Bronze)	<b>US10B</b> (Satin Bronze-Oil Rubbed)
<b>US26</b> (Bright Chrome)	<b>US26D</b> (Satin Chrome)	<b>SPBLK</b> (Black Painted)	<b>313</b> (Duranodic Dark Bronze)
<b>US15</b> (Satin Nickel)	<b>US19</b> (Flat Black)	<b>US26D-AM</b> (Antimicrobial)	<b>US32</b> (Bright Stainless)
<b>US32D</b> (Satin Stainless)			

**Control Options**

<b>LC</b> (Less Control)	<b>374T</b> (Thumbturn Control - SV)	<b>376T / 376T WDC</b> (Thumbturn Control - CV)
--------------------------	--------------------------------------	---

Prices subject to change without notice.

 Indicates products that have EPD documentation available and meet LEED v4.

# 98/99 Series - Summary (continued)

## Trim Lever Styles 06 Lever Standard

<b>ACC</b> (Accent Lever)	<b>AST</b> (Asti Lever)	<b>MER</b> (Merona Lever)	<b>STA</b> (St. Anne Lever)
<b>03K</b> (03 Knurled Lever)	<b>06K</b> (06 Knurled Lever)	<b>01, 02, 03, 05, 06, 07, 12, 16, 17, 18</b> (Levers)	
<b>03 SS, 06 SS, 17 SS, LAT SS, LON SS, M57, M62</b> (Stainless Steel Levers)		<b>LAT</b> (Latitude)	<b>LON</b> (Longitude)
<b>M51, M52, M53, M54, M55, M56, M61, M63, M81, M82, M83, M84, M85, ME1, ME2, ME3</b>			

## Mortise Lock

<b>LL</b> (Less Lock)	<b>7500</b> (Standard Mortise)	<b>SS7500</b> (Signal Switch)	<b>7500-2</b> (Double Cylinder)
<b>E7500</b> (Electric Unlocking specify FS - Fail Safe or FSE - Fail Secure, 12V or 24V and AC or DC)			

## Chexit Options

<b>B15</b> (BOCA 15 Second Delay)	<b>0</b> (0 Second Delay)	<b>15</b> (15 Second Delay)	<b>30</b> (30 Second Delay)
<b>LRG</b> (Less Rod Guards)	<b>RGO</b> (Rod Guards Only)	<b>M15</b> (15 Second Mute Delay)	<b>INF</b> (Infinite Delay)

## Misc

<b>CE</b> (CE Labeled)	<b>LCP</b> (Less Cover Plate)	<b>10WDA</b> (#10WDA Cover Plate)
<b>RAT REL</b> (Ratchet Release Assy)	<b>10CABLE</b> (10' Cable)	<b>CON</b> (Connectors)

## Door Material

<b>AL</b> (Aluminum Door)	<b>HM</b> (Hollow Metal)	<b>WD</b> (Wood Door)	<b>CP</b> (Composite Door)
<b>CLAD2</b> (Insulclad - 1/2")	<b>CLAD4</b> (Insulclad - 1/4")	<b>SC</b> (Steelcraft, HH Device Only)	

## Door Thickness

<b>1.3/4</b> (1-3/4" Standard)	<b>2</b> (2" Thickness)	<b>2.1/4</b> (2-1/4" Thickness)
--------------------------------	-------------------------	---------------------------------

## Door Application

<b>D</b> (Double Egress)	<b>P</b> (Pair of Doors)	<b>S</b> (Single Door)
--------------------------	--------------------------	------------------------

### APPLICATION NOTE FOR 2' DEVICE:

#### Available on Surface and Concealed Vertical (panic and fire).

When vertical rod devices are used on both doors of a pair, operation of the inactive door (smaller door) will not disengage the active door, creating a potential safety issue for those using the inactive door during an emergency. In addition, standard hex or cylinder dogging is not available. If dogging is required, special center case dogging is available for 98/9927/47 devices. Prefix device with "SD".

For pairs of doors using one 2' door Von Duprin recommends the following hardware combinations listed below for optimum safety in an emergency.

1. Surface or Concealed Vertical device on the 2' door (inactive) and a mortise device on the larger door (active). This combination is used primarily on Hollow Metal door applications only.
2. Automatic Flush Bolt on the 2' door (inactive) and a Surface or Concealed Vertical device on the larger door (active).

**NOTE: The 2' door width is not available with any Electrical, Chexit, Hurricane, Pneumatic or Windstorm options.**

# Devices - 98/99 Series

**3' Devices are priced complete with standard trim and strike(s).  
4' add \$18 list.  
Cylinders and sex bolts are not included in price unless noted.**

## EXIT HARDWARE

### Rim Devices

(Price includes 299 Strike)

	US26D	US28	US32D	313	US10	US4/4A	US3/3A	315	US10B	Weight lbs		Standard Trim/Control
							US15 US26 643E			3'	4'	
<b>98/99EO</b>	1439	1272	1464	1335	1459	1478	1676	2054	1640	14	17	-
<b>98/99DT</b>	1701	1534	1726	1616	1740	1689	1969	2335	1921	17	19	990DT
<b>98/99NL</b>	1720	1553	1745	1624	1752	1707	1976	2343	1929	17	19	990NL-R&V
<b>98/99NL-OP</b>	1572	1405	1597	1468	1592	1603	1811	2189	1773	15	18	110MD/WD
<b>98/99TP</b>	1814	1647	1839	1721	1832	1788	2080	2440	2026	16	20	990TP-R&V
<b>98/99TP-BE</b>	1814	1647	1839	1721	1832	1788	2080	2440	2026	16	20	990TP-BE-R&V
<b>98/99K</b>	1889	1722	1914	1809	1997	1872	2252	2528	2114	18	21	996K-R&V
<b>98/99K-BE</b>	1889	1722	1914	1809	1997	1872	2252	2528	2114	18	21	996K-BE-R&V
<b>98/99K-DT</b>	1878	1711	1903	1792	1980	1864	2229	2511	2097	18	21	996K-DT-R&V
<b>98/99K-NL</b>	1878	1711	1903	1792	1980	1864	2229	2511	2097	18	21	996K-NL-R&V
<b>98/99L</b>	2046	1879	2071	1958	2092	2048	2384	2677	2263	19	21	996L-R&V
<b>98/99L-BE</b>	2046	1879	2071	1958	2092	2048	2384	2677	2263	19	21	996L-BE-R&V
<b>98/99L-DT</b>	1911	1744	1936	1823	2002	1942	2241	2542	2128	19	21	996L-DT-R&V
<b>98/99L-NL</b>	1911	1744	1936	1823	2002	1942	2241	2542	2128	19	21	996L-NL-R&V

## FIRE EXIT HARDWARE

### Rim Devices

(Price includes 299F Strike for single door applications only.)

(For double door applications, the 499F Strike will be supplied at an additional \$108 list add.)

<b>98/99EO-F</b>	1601	1489	1658	1581	1661	1743	1889	2290	1943	10	13	-
<b>98/99DT-F</b>	1863	1751	1920	1862	1942	1954	2182	2571	2224	14	16	990DT
<b>98/99NL-F</b>	1882	1770	1939	1870	1954	1972	2189	2579	2232	14	16	990NL-R&V
<b>98/99NL-OP-F</b>	1734	1622	1791	1714	1794	1868	2024	2425	2076	11	14	110MD/WD
<b>98/99TP-F</b>	1976	1864	2033	1967	2034	2053	2293	2676	2329	15	17	990TP-R&V
<b>98/99TP-BE-F</b>	1976	1864	2033	1967	2034	2053	2293	2676	2329	15	17	990TP-BE-R&V
<b>98/99K-F</b>	2051	1939	2108	2055	2199	2137	2465	2764	2417	18	19	996K-R&V
<b>98/99K-BE-F</b>	2051	1939	2108	2055	2199	2137	2465	2764	2417	18	19	996K-BE-R&V
<b>98/99K-NL-F</b>	2040	1928	2097	2038	2182	2129	2442	2747	2400	18	19	996K-NL-R&V
<b>98/99L-F</b>	2208	2096	2265	2204	2294	2313	2597	2913	2566	16	18	996L-R&V
<b>98/99L-BE-F</b>	2208	2096	2265	2204	2294	2313	2597	2913	2566	16	18	996L-BE-R&V
<b>98/99L-NL-F</b>	2073	1961	2130	2069	2204	2207	2454	2778	2431	16	18	996L-NL-R&V

### 98/99 Rim Notes:

**Finish** - US32D and US15 finishes available on Series 98 only.

**Finish** - US3A, US4A, consult factory for lead time.

**Finish** - US10B finish has 313 finish device with US10B parts.

Prices subject to change without notice.

 Indicates products that have EPD documentation available and meet LEED v4.

# 98/99 Series - Devices (continued)

3' Devices are priced complete with standard trim and strike(s).  
 2' add \$75 list, 4' add \$18 list.  
 Cylinders and sex bolts are not included in price unless noted.

## EXIT HARDWARE

### Surface Vertical Rod Devices

(Price includes 299, 248L-4, 304L Strikes and Sex Bolts for Latches)

	US26D	US28	US32D	313	US10	US4/4A	US3/3A	315	US10B	Weight lbs.			Standard Trim/Control /Cover Plate
							US15 US26 643E			2'	3'	4'	
98/9927EO	2081	1899	2197	2027	2113	2167	2375	2777	2469	16	18	20	-
98/9927DT	2343	2161	2459	2308	2394	2378	2668	3058	2750	16	19	22	990DT
98/9927NL	2362	2180	2478	2316	2406	2396	2675	3066	2758	16	19	22	990NL-R&V
98/9927NL-OP	2214	2032	2330	2160	2246	2292	2510	2912	2602	16	19	22	110MD/WD
98/9927TP	2456	2274	2572	2413	2486	2477	2779	3163	2855	17	20	23	990TP-R&V
98/9927TP-BE	2456	2274	2572	2413	2486	2477	2779	3163	2855	17	20	23	990TP-BE-R&V
98/9927K	2531	2349	2647	2501	2651	2561	2951	3251	2943	20	22	24	996K-R&V
98/9927K-BE	2531	2349	2647	2501	2651	2561	2951	3251	2943	20	22	24	996K-BE-R&V
98/9927K-DT	2520	2338	2636	2484	2634	2553	2928	3234	2926	20	22	24	996K-DT-R&V
98/9927K-NL	2520	2338	2636	2484	2634	2553	2928	3234	2926	20	22	24	996K-NL-R&V
98/9927L	2688	2506	2804	2650	2746	2737	3083	3400	3092	20	22	24	996L-R&V
98/9927L-BE	2688	2506	2804	2650	2746	2737	3083	3400	3092	20	22	24	996L-BE-R&V
98/9927L-DT	2553	2371	2669	2515	2656	2631	2940	3265	2957	20	22	24	996L-DT-R&V
98/9927L-NL	2553	2371	2669	2515	2656	2631	2940	3265	2957	20	22	24	996L-NL-R&V
98/9927TL	3097	2915	3213	3062	3190	3026	3484	3812	3504	22	24	26	990DT/374T*
98/9927TL-BE	3060	2878	3176	3025	3158	2986	3443	3775	3467	22	24	26	990DT/374T-BE*

## FIRE EXIT HARDWARE

### Surface Vertical Rod Devices

(Price includes 299F, 304L Strikes and Sex Bolts for Latches)

98/9927EO-F	2364	2197	2485	2335	2412	2501	2694	3058	2862	13	16	19	-
98/9927DT-F	2626	2459	2747	2616	2693	2712	2987	3339	3143	19	20	21	990DT
98/9927NL-F	2645	2478	2766	2624	2705	2730	2994	3347	3151	19	20	21	990NL-R&V
98/9927NL-OP-F	2497	2330	2618	2468	2545	2626	2829	3193	2995	19	20	21	110MD/WD
98/9927TP-F	2739	2572	2860	2721	2785	2811	3098	3444	3248	17	19	21	990TP-R&V
98/9927TP-BE-F	2739	2572	2860	2721	2785	2811	3098	3444	3248	17	19	21	990TP-BE-R&V
98/9927K-F	2814	2647	2935	2809	2950	2895	3270	3532	3336	21	22	23	996K-R&V
98/9927K-BE-F	2814	2647	2935	2809	2950	2895	3270	3532	3336	21	22	23	996K-BE-R&V
98/9927K-NL-F	2803	2636	2924	2792	2933	2887	3247	3515	3319	21	22	23	996K-NL-R&V
98/9927L-F	2971	2804	3092	2958	3045	3071	3402	3681	3485	19	22	25	996L-R&V
98/9927L-BE-F	2971	2804	3092	2958	3045	3071	3402	3681	3485	19	22	25	996L-BE-R&V
98/9927L-NL-F	2836	2669	2957	2823	2955	2965	3259	3546	3350	19	22	25	996L-NL-R&V
98/9927TL-F	3380	3213	3501	3370	3489	3360	3803	4093	3897	19	22	25	990DT/374T*
98/9927TL-BE-F	3343	3176	3464	3333	3457	3320	3762	4056	3860	19	22	25	990DT/374T-BE*

### 98/9927 Notes:

**Finish** - US32D and US15 finishes available on Series 98 only.

**Finish** - US3A, US4A, consult factory for lead time.

**Finish** - US10B finish has 313 finish device with US10B parts.

\* **Wood Doors** - 10WDA cover plate is required for the 370 series controls and will be supplied at an additional, **\$54 list add**.

Prices subject to change without notice.

 Indicates products that have EPD documentation available and meet LEED v4.

**3' Devices are priced complete with standard trim and strike(s).  
2' add \$75 list, 4' add \$18 list.  
Cylinders and sex bolts are not include in price unless noted.**

## EXIT HARDWARE

### Concealed Vertical Rod Devices

(Price includes 338 and 385A Strikes)

	US26D	US28	US32D	313	US10	US4/4A	US3/3A	315	US10B	Weight lbs.			Standard Trim/Control /Cover Plate
							US15 US26 643E			2'	3'	4'	
98/9947EO	2190	1945	2239	2102	2196	2277	2399	2843	2560	15	17	19	-
98/9947DT	2452	2207	2501	2383	2477	2488	2692	3124	2841	15	19	23	990DT
98/9947NL	2471	2226	2520	2391	2489	2506	2699	3132	2849	15	19	23	990NL-R&V
98/9947NL-OP	2323	2078	2372	2235	2329	2402	2534	2978	2693	15	19	23	110MD/WD
98/9947TP	2565	2320	2614	2488	2569	2587	2803	3229	2946	16	19	22	990TP-R&V
98/9947TP-BE	2565	2320	2614	2488	2569	2587	2803	3229	2946	16	19	22	990TP-BE-R&V
98/9947K	2640	2395	2689	2576	2734	2671	2975	3317	3034	17	21	25	996K-R&V
98/9947K-BE	2640	2395	2689	2576	2734	2671	2975	3317	3034	17	21	25	996K-BE-R&V
98/9947K-DT	2629	2384	2678	2559	2717	2663	2952	3300	3017	17	21	25	996K-DT-R&V
98/9947K-NL	2629	2384	2678	2559	2717	2663	2952	3300	3017	17	21	25	996K-NL-R&V
98/9947L	2797	2552	2846	2725	2829	2847	3107	3466	3183	21	23	25	996L-R&V
98/9947L-BE	2797	2552	2846	2725	2829	2847	3107	3466	3183	21	23	25	996L-BE-R&V
98/9947L-DT	2662	2417	2711	2590	2739	2741	2964	3331	3048	21	23	25	996L-DT-R&V
98/9947L-NL	2662	2417	2711	2590	2739	2741	2964	3331	3048	21	23	25	996L-NL-R&V
98/9947TL	3206	2961	3255	3137	3273	3136	3508	3878	3595	21	23	25	990DT/376T*
98/9947TL-BE	3169	2924	3218	3100	3241	3096	3467	3841	3558	21	23	25	990DT/376T-BE*

## FIRE EXIT HARDWARE

### Concealed Vertical Rod Devices

(Price includes 338 and 385A Strikes)

98/9947EO-F	2473	2253	2553	2492	2574	2672	2871	3218	3044	15	17	19	-
98/9947DT-F	2735	2515	2815	2773	2855	2883	3164	3499	3325	15	19	23	990DT
98/9947NL-F	2754	2534	2834	2781	2867	2901	3171	3507	3333	15	19	23	990NL-R&V
98/9947NL-OP-F	2606	2386	2686	2625	2707	2797	3006	3353	3177	15	19	23	110MD
98/9947TP-F	2848	2628	2928	2878	2947	2982	3275	3604	3430	16	19	22	990TP-R&V
98/9947TP-BE-F	2848	2628	2928	2878	2947	2982	3275	3604	3430	16	19	22	990TP-BE-R&V
98/9947K-F	2923	2703	3003	2966	3112	3066	3447	3692	3518	17	21	25	996K-R&V
98/9947K-BE-F	2923	2703	3003	2966	3112	3066	3447	3692	3518	17	21	25	996K-BE-R&V
98/9947K-NL-F	2912	2692	2992	2949	3095	3058	3424	3675	3501	17	21	25	996K-NL-R&V
98/9947L-F	3080	2860	3160	3115	3207	3242	3579	3841	3667	21	23	25	996L-R&V
98/9947L-BE-F	3080	2860	3160	3115	3207	3242	3579	3841	3667	21	23	25	996L-BE-R&V
98/9947L-NL-F	2945	2725	3025	2980	3117	3136	3436	3706	3532	21	23	25	996L-NL-R&V
98/9947TL-F	3489	3269	3569	3527	3651	3531	3980	4253	4079	21	23	25	990DT/376T*
98/9947TL-BE-F	3452	3232	3532	3490	3619	3491	3939	4216	4042	21	23	25	990DT/376T-BE*

### 98/9947 Notes:

**Finish** - US32D and US15 finishes available on Series 98 only.

**Finish** - US3A, US4A, consult factory for lead time.

**Finish** - US10B finish has 313 finish device with US10B parts.

\* **Wood Doors** - 10WDA cover plate is required for the 370 series controls and will be supplied at an additional, **\$54 list add.**

Prices subject to change without notice.

 Indicates products that have EPD documentation available and meet LEED v4.

# 98/99 Series - Devices (continued)

3' Devices are priced complete with standard trim and strike(s).  
2' add \$75 list, 4' add \$18 list.  
Cylinders and sex bolts are not include in price unless noted

## EXIT HARDWARE

### Wood Door Concealed Vertical Rod Devices

(Price includes 338 and 385A Strikes, Sex Bolts, and 8" Scalp Plate)

	US26D	US28	US32D	313	US10	US4/4A	US3/3A	US15	315	US10B	Weight lbs.			Standard Trim/Control
							US26				2'	3'	4'	
98/9947WDC-EO	2416	2169	2476	2350	2441	2526	2714	2627	3090	2780	15	17	19	-
98/9947WDC-DT	2678	2431	2738	2631	2722	2737	3007	2920	3371	3061	15	19	23	990DT
98/9947WDC-NL	2697	2450	2757	2639	2734	2755	3014	2927	3379	3069	15	19	23	990NL-R&V
98/9947WDC-NL-OP	2549	2302	2609	2483	2574	2651	2849	2762	3225	2913	15	19	23	110WD
98/9947WDC-TP	2791	2544	2851	2736	2814	2836	3118	3031	3476	3166	16	19	22	990TP-R&V
98/9947WDC-TP-BE	2791	2544	2851	2736	2814	2836	3118	3031	3476	3166	16	19	22	990TP-BE-R&V
98/9947WDC-K	2866	2619	2926	2824	2979	2920	3290	3203	3564	3254	17	21	25	996K-R&V
98/9947WDC-K-BE	2866	2619	2926	2824	2979	2920	3290	3203	3564	3254	17	21	25	996K-BE-R&V
98/9947WDC-K-DT	2855	2608	2915	2807	2962	2912	3267	3180	3547	3237	17	21	25	996K-DT-R&V
98/9947WDC-K-NL	2855	2608	2915	2807	2962	2912	3267	3180	3547	3237	17	21	25	996K-NL-R&V
98/9947WDC-L	3023	2776	3083	2973	3074	3096	3422	3335	3713	3403	21	23	25	996L-R&V
98/9947WDC-L-BE	3023	2776	3083	2973	3074	3096	3422	3335	3713	3403	21	23	25	996L-BE-R&V
98/9947WDC-L-DT	2888	2641	2948	2838	2984	2990	3279	3192	3578	3268	21	23	25	996L-DT-R&V
98/9947WDC-L-NL	2888	2641	2948	2838	2984	2990	3279	3192	3578	3268	21	23	25	996L-NL-R&V
98/9947WDC-TL	3486	3239	3546	3439	3572	3439	3877	3790	4179	3869	21	23	25	990DT/376WDC-T/10WDA*
98/9947WDC-TL-BE	3449	3202	3509	3402	3540	3399	3836	3749	4142	3832	21	23	25	990DT/376WDC-T-BE/10WDA*

## FIRE EXIT HARDWARE

### Wood Door Concealed Vertical Rod Devices

(Price includes 338 and 385A Strikes, Sex Bolts and 8" Scalp Plate)

98/9947WDC-EO-F	2795	2515	2874	2726	2834	2933	3149	3062	3456	3247	15	17	19	-
98/9947WDC-DT-F	3057	2777	3136	3007	3115	3144	3442	3355	3737	3528	15	19	23	990DT
98/9947WDC-NL-F	3076	2796	3155	3015	3127	3162	3449	3362	3745	3536	15	19	23	990NL-R&V
98/9947WDC-NL-OP-F	2928	2648	3007	2859	2967	3058	3284	3197	3591	3380	15	19	23	110WD
98/9947WDC-TP-F	3170	2890	3249	3112	3207	3243	3553	3466	3842	3633	16	19	22	990TP-R&V
98/9947WDC-TP-BE-F	3170	2890	3249	3112	3207	3243	3553	3466	3842	3633	16	19	22	990TP-BE-R&V
98/9947WDC-K-F	3245	2965	3324	3200	3372	3327	3725	3638	3930	3721	17	21	25	996K-R&V
98/9947WDC-K-BE-F	3245	2965	3324	3200	3372	3327	3725	3638	3930	3721	17	21	25	996K-BE-R&V
98/9947WDC-K-NL-F	3234	2954	3313	3183	3355	3319	3702	3615	3913	3704	17	21	25	996K-NL-R&V
98/9947WDC-L-F	3402	3122	3481	3349	3467	3503	3857	3770	4079	3870	21	23	25	996L-R&V
98/9947WDC-L-BE-F	3402	3122	3481	3349	3467	3503	3857	3770	4079	3870	21	23	25	996L-BE-R&V
98/9947WDC-L-NL-F	3267	2987	3346	3214	3377	3397	3714	3627	3944	3735	21	23	25	996L-NL-R&V
98/9947WDC-TL-F	3865	3585	3944	3815	3965	3846	4312	4225	4545	4336	21	23	25	990DT/376WDC-T/10WDA*
98/9947WDC-TL-BE-F	3828	3548	3907	3778	3933	3806	4271	4184	4508	4299	21	23	25	990DT/376WDC-T-BE/10WDA*

### 98/9947WDC Notes:

**Finish** - US32D and US15 finishes available on Series 98 only.

**Finish** - US3A, US4A, consult factory for lead time.

**Finish** - US10B finish has 313 finish device with US10B parts.

**\*Wood Frame Applications** - the 283 Strike or WDF must be specified. Specify door thickness.

Prices subject to change without notice.

 Indicates products that have EPD documentation available and meet LEED v4.

**3' Devices are priced complete with standard trim and strike(s).  
2' add \$75 list, 4' add \$18 list.  
Cylinders and sex bolts are not included in price unless noted.**

## EXIT HARDWARE

### Concealed Vertical Rod Devices

(Price includes 338 and 385A Strikes)

	US26D	US28	US32D	313	US10	US4/4A	US3/3A US15 US26 643E	315	US10B	Weight lbs.			Standard Trim/Control
										2'	3'	4'	
98/9948EO	2488	2241	2535	2398	2493	2572	2696	3139	2856	15	17	19	-
98/9948DT	2750	2503	2797	2679	2774	2783	2989	3420	3137	15	19	23	990DT
98/9948NL	2769	2522	2816	2687	2786	2801	2996	3428	3145	15	19	23	990NL-R&V
98/9948NL-OP	2621	2374	2668	2531	2626	2697	2831	3274	2989	15	19	23	110MD
98/9948TP	2863	2616	2910	2784	2866	2882	3100	3525	3242	16	19	22	990TP-R&V
98/9948TP-BE	2863	2616	2910	2784	2866	2882	3100	3525	3242	16	19	22	990TP-BE-R&V
98/9948K	2938	2691	2985	2872	3031	2966	3272	3613	3330	17	21	25	996K-R&V
98/9948K-BE	2938	2691	2985	2872	3031	2966	3272	3613	3330	17	21	25	996K-BE-R&V
98/9948K-DT	2927	2680	2974	2855	3014	2958	3249	3596	3313	17	21	25	996K-DT-R&V
98/9948K-NL	2927	2680	2974	2855	3014	2958	3249	3596	3313	17	21	25	996K-NL-R&V
98/9948L	3095	2848	3142	3021	3126	3142	3404	3762	3479	21	23	25	996L-R&V
98/9948L-BE	3095	2848	3142	3021	3126	3142	3404	3762	3479	21	23	25	996L-BE-R&V
98/9948L-DT	2960	2713	3007	2886	3036	3036	3261	3627	3344	21	23	25	996L-DT-R&V
98/9948L-NL	2960	2713	3007	2886	3036	3036	3261	3627	3344	21	23	25	996L-NL-R&V
98/9948TL	3504	3257	3551	3433	3570	3431	3805	4174	3891	21	23	25	990DT/376T
98/9948TL-BE	3467	3220	3514	3396	3538	3391	3764	4137	3854	21	23	25	990DT/376T-BE

## FIRE EXIT HARDWARE

### Concealed Vertical Rod Devices

(Price includes 338 and 385A Strikes)

98/9948EO-F	2771	2551	2849	2788	2872	2969	3167	3515	3341	15	17	19	-
98/9948DT-F	3033	2813	3111	3069	3153	3180	3460	3796	3622	15	19	23	990DT
98/9948NL-F	3052	2832	3130	3077	3165	3198	3467	3804	3630	15	19	23	990NL-R&V
98/9948NL-OP-F	2904	2684	2982	2921	3005	3094	3302	3650	3474	15	19	23	110MD
98/9948TP-F	3146	2926	3224	3174	3245	3279	3571	3901	3727	16	19	22	990TP-R&V
98/9948TP-BE-F	3146	2926	3224	3174	3245	3279	3571	3901	3727	16	19	22	990TP-BE-R&V
98/9948K-F	3221	3001	3299	3262	3410	3363	3743	3989	3815	17	21	25	996K-R&V
98/9948K-BE-F	3221	3001	3299	3262	3410	3363	3743	3989	3815	17	21	25	996K-BE-R&V
98/9948K-NL-F	3210	2990	3288	3245	3393	3355	3720	3972	3798	17	21	25	996K-NL-R&V
98/9948L-F	3378	3158	3456	3411	3505	3539	3875	4138	3964	21	23	25	996L-R&V
98/9948L-BE-F	3378	3158	3456	3411	3505	3539	3875	4138	3964	21	23	25	996L-BE-R&V
98/9948L-NL-F	3243	3023	3321	3276	3415	3433	3732	4003	3829	21	23	25	996L-NL-R&V
98/9948TL-F	3787	3567	3865	3823	3949	3828	4276	4550	4376	21	23	25	990DT/376T
98/9948TL-BE-F	3750	3530	3828	3786	3917	3788	4235	4513	4339	21	23	25	990DT/376T-BE

### 98/9948 Notes:

**Finish** - US32D and US15 finishes available on Series 98 only.

**Finish** - US3A, US4A, consult factory for lead time.

**Finish** - US10B finish has 313 finish device with US10B parts.

Prices subject to change without notice.

 Indicates products that have EPD documentation available and meet LEED v4.

# 98/99 Series - Devices (continued)

3' Devices are priced complete with standard trim and strike(s).  
 4' add \$18 list.  
 Cylinders and sex bolts are not included in price unless noted.

## EXIT HARDWARE

### Surface Three Point Latch Devices

(Price includes 299(2), 248L-4, 304L Strikes and Sex Bolts for Latches)

	US26D	US28	US32D	313	US10	US4/4A	US3/3A	315	US10B	Weight		Standard
							US15			US26	643E	
98/9957EO	2790	2486	2969	2696	2886	2991	3221	3441	3286	17	20	-
98/9957DT	3052	2748	3231	2977	3167	3202	3514	3722	3567	21	23	990DT
98/9957NL	3071	2767	3250	2985	3179	3220	3521	3730	3575	21	22	990NL-R&V
98/9957NL-OP	2923	2619	3102	2829	3019	3116	3356	3576	3419	21	22	110MD/WD
98/9957TP	3165	2861	3344	3082	3259	3301	3625	3827	3672	20	22	990TP-R&V
98/9957TP-BE	3165	2861	3344	3082	3259	3301	3625	3827	3672	20	22	990TP-BE-R&V
98/9957K	3240	2936	3419	3170	3424	3385	3797	3915	3760	23	24	996K-R&V
98/9957K-BE	3240	2936	3419	3170	3424	3385	3797	3915	3760	23	24	996K-BE-R&V
98/9957K-DT	3229	2925	3408	3153	3407	3377	3774	3898	3743	23	24	996K-DT-R&V
98/9957K-NL	3229	2925	3408	3153	3407	3377	3774	3898	3743	23	24	996K-NL-R&V
98/9957L	3397	3093	3576	3319	3519	3561	3929	4064	3909	23	26	996L-R&V
98/9957L-BE	3397	3093	3576	3319	3519	3561	3929	4064	3909	23	26	996L-BE-R&V
98/9957L-DT	3262	2958	3441	3184	3429	3455	3786	3929	3774	23	26	996L-DT-R&V
98/9957L-NL	3262	2958	3441	3184	3429	3455	3786	3929	3774	23	26	996L-NL-R&V
98/9957TL	3806	3502	3985	3731	3963	3850	4330	4476	4321	23	26	990DT/374T*
98/9957TL-BE	3769	3465	3948	3694	3931	3810	4289	4439	4284	23	26	990DT/374T-BE*

## FIRE EXIT HARDWARE

### Surface Three Point Latch Devices

(Price includes 299F(2), 304L Strikes and Sex Bolts for Latches)

98/9957EO-F	2971	2682	3145	2933	3130	3235	3246	3663	3585	18	19	-
98/9957DT-F	3233	2944	3407	3214	3411	3446	3539	3944	3866	19	22	990DT
98/9957NL-F	3252	2963	3426	3222	3423	3464	3546	3952	3874	19	22	990NL-R&V
98/9957NL-OP-F	3104	2815	3278	3066	3263	3360	3381	3798	3718	19	22	110MD/WD
98/9957TP-F	3346	3057	3520	3319	3503	3545	3650	4049	3971	20	23	990TP-R&V
98/9957TP-BE-F	3346	3057	3520	3319	3503	3545	3650	4049	3971	20	23	990TP-BE-R&V
98/9957K-F	3421	3132	3595	3407	3668	3629	3822	4137	4059	22	24	996K-R&V
98/9957K-BE-F	3421	3132	3595	3407	3668	3629	3822	4137	4059	22	24	996K-BE-R&V
98/9957K-NL-F	3410	3121	3584	3390	3651	3621	3799	4120	4042	22	24	996K-NL-R&V
98/9957L-F	3578	3289	3752	3556	3763	3805	3954	4286	4208	22	24	996L-R&V
98/9957L-BE-F	3578	3289	3752	3556	3763	3805	3954	4286	4208	22	24	996L-BE-R&V
98/9957L-NL-F	3443	3154	3617	3421	3673	3699	3811	4151	4073	22	24	996L-NL-R&V
98/9957TL-F	3987	3698	4161	3968	4207	4094	4355	4698	4620	22	24	990DT/374T*
98/9957TL-BE-F	3950	3661	4124	3931	4175	4054	4314	4661	4583	22	24	990DT/374T-BE*

### 98/9957 Notes:

**Finish** - US32D and US15 finishes available on Series 98 only.

**Finish** - US3A, US4A, consult factory for lead time.

**Finish** - US10B finish has 313 finish device with US10B parts.

\* **Wood Doors** - 10WDA cover plate is required for the 370 series controls and will be supplied at an additional \$54 list add.

Prices subject to change without notice.

 Indicates products that have EPD documentation available and meet LEED v4.



**3' Devices are priced complete with standard trim and strike(s).  
4' add \$18 list.  
Cylinders and sex bolts are not included in price unless noted.**

## EXIT HARDWARE

### Mortise Lock Devices

(Prices includes 575 Strike)

	US26D	US28	US32D	313	US10	US4/4A	US3/3A US26 643E	US15	315	US10B	Weight lbs.		Standard Trim/Control
											3'	4'	
<b>98/9975EO</b>	2033	1854	2080	1920	2091	2091	2329	2308	2665	2202	15	18	-
<b>98/9975HL</b>	2244	2065	2291	2139	2310	2310	2548	2742	2876	2722	18	20	-
<b>98/9975DT</b>	2295	2116	2342	2201	2372	2302	2622	2601	2946	2483	19	21	990DT
<b>98/9975NL</b>	2314	2135	2361	2209	2384	2320	2629	2608	2954	2491	19	21	990NL-M
<b>98/9975TP</b>	2408	2229	2455	2306	2464	2401	2733	2712	3051	2588	18	20	990TP-M
<b>98/9975TP-BE</b>	2408	2229	2455	2306	2464	2401	2733	2712	3051	2588	18	20	990TP-BE-M
<b>98/9975K</b>	2483	2304	2530	2394	2629	2485	2905	2884	3139	2676	21	22	996K-M
<b>98/9975K-BE</b>	2483	2304	2530	2394	2629	2485	2905	2884	3139	2676	21	22	996K-BE-M
<b>98/9975K-DT</b>	2472	2293	2519	2377	2612	2477	2882	2861	3122	2659	21	22	996K-DT-M
<b>98/9975K-NL</b>	2472	2293	2519	2377	2612	2477	2882	2861	3122	2659	21	22	996K-NL-M
<b>98/9975L</b>	2640	2461	2687	2543	2724	2661	3037	3016	3288	2825	21	23	996L-M
<b>98/9975L-BE</b>	2640	2461	2687	2543	2724	2661	3037	3016	3288	2825	21	23	996L-BE-M
<b>98/9975L-DT</b>	2505	2326	2552	2408	2634	2555	2894	2873	3153	2690	21	23	996L-DT-M
<b>98/9975L-NL</b>	2505	2326	2552	2408	2634	2555	2894	2873	3153	2690	21	23	996L-NL-M

## FIRE EXIT HARDWARE

### Mortise Lock Devices

(Prices includes 575 Strike)

<b>98/9975EO-F</b>	2234	2078	2312	2163	2313	2313	2552	2531	2892	2503	15	19	-
<b>98/9975DT-F</b>	2496	2340	2574	2444	2594	2524	2845	2824	3173	2784	17	20	990DT
<b>98/9975HL-F</b>	2445	2289	2523	2382	2532	2532	2771	2519	3103	2421	17	20	-
<b>98/9975NL-F</b>	2515	2359	2593	2452	2606	2542	2852	2831	3181	2792	18	21	990NL-M
<b>98/9975TP-F</b>	2609	2453	2687	2549	2686	2623	2956	2935	3278	2889	19	21	990TP-M
<b>98/9975TP-BE-F</b>	2609	2453	2687	2549	2686	2623	2956	2935	3278	2889	19	21	990TP-BE-M
<b>98/9975K-F</b>	2684	2528	2762	2637	2851	2707	3128	3107	3366	2977	20	23	996K-M
<b>98/9975K-BE-F</b>	2684	2528	2762	2637	2851	2707	3128	3107	3366	2977	20	23	996K-BE-M
<b>98/9975K-NL-F</b>	2673	2517	2751	2620	2834	2699	3105	3084	3349	2960	20	23	996K-NL-M
<b>98/9975L-F</b>	2841	2685	2919	2786	2946	2883	3260	3239	3515	3126	20	23	996L-M
<b>98/9975L-BE-F</b>	2841	2685	2919	2786	2946	2883	3260	3239	3515	3126	20	23	996L-BE-M
<b>98/9975L-NL-F</b>	2706	2550	2784	2651	2856	2777	3117	3096	3380	2991	20	23	996L-NL-M

### 98/9975 Notes:

**Finish** - US32D and US15 finishes available on Series 98 only.

**Finish** - US3A, US4A, consult factory for lead time.

**Finish** - US10B finish has 313 finish device with US10B parts.

Prices subject to change without notice.

 Indicates products that have EPD documentation available and meet LEED v4.

# 98/99 Series - Devices (continued)

3' Devices are priced complete with standard trim and strike(s).  
2' add \$75 list, 4' add \$18 list.

Cylinders and sex bolts are not included in price unless noted.

For Concealed Vertical Cable Devices prices shown are for Door Opening Heights 6'0" to 10'0"

## EXIT HARDWARE

### Concealed Vertical Cable Devices

(Price includes 249 and 349 Strikes)

	US26D	US28	US32D	313	US10	US4/4A	US3/3A US15 US26 643E	315	US10B	Weight lbs.			Standard Trim
										2'	3'	4'	
98/9949E0	2203	1955	2252	2116	2209	2289	2413	2862	2607	15	17	19	-
98/9949DT	2465	2217	2514	2397	2490	2500	2706	3143	2888	15	19	23	990DT
98/9949NL	2484	2236	2533	2405	2502	2518	2713	3151	2896	15	19	23	990NL-R/V
98/9949NL-OP	2336	2088	2385	2249	2342	2414	2548	2997	2740	15	19	23	110MD
98/9949TP	2578	2330	2627	2502	2582	2599	2817	3248	2993	16	19	22	990TP-R/V
98/9949TP-BE	2578	2330	2627	2502	2582	2599	2817	3248	2993	16	19	22	990TP-BE-R/V
98/9949K	2653	2405	2702	2590	2747	2683	2989	3336	3081	21	23	25	996K-R/V
98/9949K-BE	2653	2405	2702	2590	2747	2683	2989	3336	3081	21	23	25	996K-BE-R/V
98/9949K-DT	2642	2394	2691	2573	2730	2675	2966	3319	3064	21	23	25	996K-DT-R/V
98/9949K-NL	2642	2394	2691	2573	2730	2675	2966	3319	3064	21	23	25	996K-NL-R/V
98/9949L	2810	2562	2859	2739	2842	2859	3121	3485	3230	21	23	25	996L-R/V
98/9949L-BE	2810	2562	2859	2739	2842	2859	3121	3485	3230	21	23	25	996L-BE-R/V
98/9949L-DT	2675	2427	2724	2604	2752	2753	2978	3350	3095	21	23	25	996L-DT-R/V
98/9949L-NL	2675	2427	2724	2604	2752	2753	2978	3350	3095	21	23	25	996L-NL-R/V

## FIRE EXIT HARDWARE

### Concealed Vertical Cable Devices

(Price includes 249 and 349 Strikes)

98/9949E0-F	2379	2131	2428	2292	2385	2465	2589	3038	2783	15	17	19	-
98/9949DT-F	2641	2393	2690	2573	2666	2676	2882	3319	3064	15	19	23	990DT
98/9949NL-F	2660	2412	2709	2581	2678	2694	2889	3327	3072	15	19	23	990NL-R/V
98/9949NL-OP-F	2512	2264	2561	2425	2518	2590	2724	3173	2916	15	19	23	110MD
98/9949TP-F	2754	2506	2803	2678	2758	2775	2993	3424	3169	16	19	22	990TP-R/V
98/9949TP-BE-F	2754	2506	2803	2678	2758	2775	2993	3424	3169	16	19	22	990TP-BE-R/V
98/9949K-F	2829	2581	2878	2766	2923	2859	3165	3512	3257	21	23	25	996K-R/V
98/9949K-BE-F	2829	2581	2878	2766	2923	2859	3165	3512	3257	21	23	25	996K-BE-R/V
98/9949K-NL-F	2818	2570	2867	2749	2906	2851	3142	3495	3240	21	23	25	996K-NL-R/V
98/9949L-F	2986	2738	3035	2915	3018	3035	3297	3661	3406	21	23	25	996L-R/V
98/9949L-BE-F	2986	2738	3035	2915	3018	3035	3297	3661	3406	21	23	25	996L-BE-R/V
98/9949L-NL-F	2851	2603	2900	2780	2928	2929	3154	3526	3271	21	23	25	996L-NL-R/V

### 98/9949 Notes:

**Finish** - US32D and US15 finishes available on Series 98 only.

**Finish** - US3A, US4A, consult factory for lead time.

**Finish** - US10B finish has 313 finish device with US10B parts.

**Door Opening Height** - Specify door opening height if other than default.

For door opening heights more than 10', consult factory.

### For Concealed Vertical Cable Devices - Less Cable System (LCS) Deduct \$996 LIST

Nominal Door Opening Height		Top Cable	Bottom Cable
72"-82"	6' - 6'10'	47250398	47250403
*>82"-96"	*6'10' - 8'	47250175	47250178
>96" - 110"	>8' - 9'2"	47250176	47250179
>110" - 120"	>9'2" - 10'	47250177	47250180

\*Default door opening height

Prices subject to change without notice.

 Indicates products that have EPD documentation available and meet LEED v4.

**3' Devices are priced complete with standard trim and strike(s).  
2' add \$75 list, 4' add \$18 list.  
Cylinders are not included in price unless noted.**

## EXIT HARDWARE

### Wood Door Concealed Vertical Cable Devices

(Price includes 150 and 450 Strikes, Sex Bolts and Scalp Plate)

	US26D	US28	US32D	313	US10	US4/4A	US3/3A US15 US26 643E	315	US10B	Weight lbs.			Standard Trim/ Control
										2'	3'	4'	
98/9950WDC-EO	2338	2096	2395	2269	2358	2440	2620	2990	2796	15	17	19	—
98/9950WDC-DT	2600	2358	2657	2550	2639	2651	2913	3271	3077	15	19	23	990DT
98/9950WDC-NL	2619	2377	2676	2558	2651	2669	2920	3279	3085	15	19	23	990NL-R&V
98/9950WDC-NL-OP	2471	2229	2528	2402	2491	2565	2755	3125	2929	15	19	23	110WD
98/9950WDC-TP	2713	2471	2770	2655	2731	2750	3024	3376	3182	16	19	22	990TP-R&V
98/9950WDC-TP-BE	2713	2471	2770	2655	2731	2750	3024	3376	3182	16	19	22	990TP-BE-R&V
98/9950WDC-K	2788	2546	2845	2743	2896	2834	3196	3464	3270	17	21	25	996K-R&V
98/9950WDC-K-BE	2788	2546	2845	2743	2896	2834	3196	3464	3270	17	21	25	996K-BE-R&V
98/9950WDC-K-DT	2777	2535	2834	2726	2879	2826	3173	3447	3253	17	21	25	996K-DT-R&V
98/9950WDC-K-NL	2777	2535	2834	2726	2879	2826	3173	3447	3253	17	21	25	996K-NL-R&V
98/9950WDC-L	2945	2703	3002	2892	2991	3010	3328	3613	3419	21	23	25	996L-R&V
98/9950WDC-L-BE	2945	2703	3002	2892	2991	3010	3328	3613	3419	21	23	25	996L-BE-R&V
98/9950WDC-L-DT	2810	2568	2867	2757	2901	2904	3185	3478	3284	21	23	25	996L-DT-R&V
98/9950WDC-L-NL	2810	2568	2867	2757	2901	2904	3185	3478	3284	21	23	25	996L-NL-R&V

**For Devices Less Cable System (LCS) Deduct \$1140 List**

## FIRE EXIT HARDWARE

### Wood Door Concealed Vertical Cable Devices

(Price includes 150 and 450 Strikes, Sex Bolts and Scalp Plate)

98/9950WDC-EO-F	2638	2396	2695	2569	2658	2740	2920	3290	3096	15	17	19	—
98/9950WDC-DT-F	2900	2658	2957	2850	2939	2951	3213	3571	3377	15	19	23	990DT
98/9950WDC-NL-F	2919	2677	2976	2858	2951	2969	3220	3579	3385	15	19	23	990NL-R&V
98/9950WDC-NL-OP-F	2771	2529	2828	2702	2791	2865	3055	3425	3229	15	19	23	110WD
98/9950WDC-TP-BE-F	3013	2771	3070	2955	3031	3050	3324	3676	3482	16	19	22	990TP-R&V
98/9950WDC-TP-F	3013	2771	3070	2955	3031	3050	3324	3676	3482	16	19	22	990TP-BE-R&V
98/9950WDC-K-F	3088	2846	3145	3043	3196	3134	3496	3764	3570	17	21	25	996K-R&V
98/9950WDC-K-BE-F	3088	2846	3145	3043	3196	3134	3496	3764	3570	17	21	25	996K-BE-R&V
98/9950WDC-K-NL-F	3077	2835	3134	3026	3179	3126	3473	3747	3553	17	21	25	996K-NL-R&V
98/9950WDC-L-F	3245	3003	3302	3192	3291	3310	3628	3913	3719	21	23	25	996L-R&V
98/9950WDC-L-BE-F	3245	3003	3302	3192	3291	3310	3628	3913	3719	21	23	25	996L-BE-R&V
98/9950WDC-L-NL-F	3110	2868	3167	3057	3201	3204	3485	3778	3584	21	23	25	996L-NL-R&V

**For Devices - Less Cable System (LCS) Deduct \$1440 List**

### 98/9950WDC Notes:

**Finish** - US32D and US15 finishes available on Series 98 only.

**Finish** - US3A, US4A, consult factory for lead time.

**Finish** - US10B finish has 313 finish device with US10B parts.

**Door Opening Height** - must be specified when placing an order. Other heights over 10' are available, consult factory for lead time.

**Non-Standard Center Lines or Threshold installed** - consult customer support.

Standard Door Opening Height Range	Top Cable	Bottom Cable
6'8" - 7'0"	24648180	24647265
7'1" - 8'0"	24647273	24647265
8'1" - 9'0"	24647281	24647265
9'1" - 10'0"	24647299	24647265

Prices subject to change without notice.

 Indicates products that have EPD documentation available and meet LEED v4.

# 98/99 Series - Options

## Accessible Device

Prefix		List Add
AX	Accessible device compliant with the California Building Code (Section 11B-309.4) requirement for 5 lb. maximum operation force. Available on AX98/99, AX98/99-F Rim, AX98/9949 LBL, LBL-AFL, AX98/9927-LBR, AX98/9927-LBR-F, 98/9950WDC-LBL, 98/9950WDC-LBL-F. Trim functions available EO, DT, NL, L, LBE, LDT and LNL. <b>EL and QELX options available.</b> Not available with CX	64

## Cylinder Dogging

Not for use with Fire Exit Hardware

Prefix		List Add
CD	Standard Baseplate Cylinder dogging available on all 98/99 Series Panic Devices excluding the 2' device.	100
CD-CX	Center case dogging available on all Chexit 98/99 Rim/27/47/48/49/57 Panic Devices. Specify handling.	454
CI	Cylinder Dogging Indicator available on all 98/99 Series Panic Devices Not available with EL/QEL electrical option, Chexit device or the 2' device.	274
DI	Dogging indicator available on all 98/99 Series Panic Devices excluding the 2' device.	258
LD	Less Dogging available on all 98/99 Series Panic Devices.	N/C
CDSI	Cylinder Dogging w/ Indicator	329
HDSI	Hex Dogging w/ Indicator	237
SD	Special center case dogging available on 98/99 Rim/27/57/47/48/49/50WDC Panic Devices ONLY. Can be used with the "EL and QEL" option. Refer to page 69 for pricing. <b>Specify handling.</b>	420

## Double Cylinder

Suffix		List Add
-2	98/99 Rim	343
	98/9975 Mortise Device (includes 7500-2 lock) Double Cylinder application available with TP, TP-BE, K, K-BE, L, & L-BE functions only. <b>Specify handling.</b>	551
-2SI	Double Cylinder with Security Indicator available on 98/99 Rim only. Rim cylinder sold separately. Cylinder with T-Turn available from Schlage, order part # XB 11-979 Double Cylinder application with Security Indicator available with TP, TP-BE, K, K-BE, L, & L-BE functions only. Specify handling.	574
971220-00	Lock/Unlock label only, order part number 971220-00.	11

## Hurricane Device

Hurricane devices are listed with Steelcraft doors. Contact factory for specific requirements.

List add prices are for the strike price adjustment only. Mullions are priced separately on page 99.

**Sexbolts required for all device functions will be added to the list price.**

Prefix		List Add
HH	Available on the following 98/99 Series Panic Devices:	
	98/99 Rim x 9954 Mullion w/299-F (order mullion as "blank")	16
	98/9957 w/299-F Strike	32
	98/9927 w/299-F Strike	16
	98/9975 Device with Standard Strike	NC
	98/9947-F Device with Standard Strikes	NC
	98/9949 Device with Standard Strikes	NC
	Less trim requires sexbolts	78

## Windstorm Devices

Windstorm devices are certified to comply with ICC 500 Standard for the Design and Construction of Storm Shelters, and the Federal Emergency Management Agency's publication FEMA 361 — Design and Construction Guidance for Community Safety.

Windstorm devices are listed with Steelcraft Paladin doors for tornado listings and Steelcraft "H" Series doors for Hurricane listings.

Prefix		List Add
WS	Available on the 98/9927/57 Series Devices - Specify Handling (Not available with EL option, LNL/NL trim function, and E996L or M996L trim) QEL and E996L-BE or M996L-BE are available. <b>For Replacement Parts, contact Customer Care 877-671-7011</b>	1349

Door Applications For WS98/9927 - 8'0" x 8'0" Pairs (swing same direction) 4'0" x 8'0" Single (non-fire rated only) Flush Hollow Metal. UL - FEMA 361 certified.

For WS98/9957 - 4'0" x 8'0" Single (fire and non-fire rated) Flush Hollow Metal. UL-FEMA 361 certified.

Miami-Dade Co. / FBC will list compliance to: TAS 201, TAS 202, TAS 203.

Design Load Rating: +150/-150 PSF (245 MPH Wind Zone)

Enhanced Hurricane Protection (EHPA) ASTM E1996 / ANSI/ICC 500 (245 MPH Wind Zone) / UL - ANSI/ICC 500 certified of F5 - Tornado applications.

Prices subject to change without notice.

 Indicates products that have EPD documentation available and meet LEED v4.

## Insulclad or Applied Panel

Not available for fire door applications

<b>Conversion Kit</b>		<b>List Add</b>
<b>INS-2*</b>	1/2" Panel - for 98/9947 devices.	69
<b>INS-4</b>	1/4" Panel - for 98/9947 devices.	69
<b>INS-2</b>	1/2" Panel - for 98/9949 devices.	69
<b>INS-4</b>	1/4" Panel - for 98/9949 devices.	69
<b>Suffix</b>		<b>List Price</b>
<b>INS-2 KIT-9947 *</b>	1/2" Panel Kit - for 98/9947 devices - order part number 051841-00	269
<b>INS-4 KIT-9947</b>	1/4" Panel Kit - for 98/9947 devices - order part number 051842-00	163
<b>INS-2 KIT-9949</b>	1/2" Panel Kit - for 98/9949 devices - order part number 24122285	69
<b>INS-4 KIT-9949</b>	1/4" Panel Kit - for 98/9949 devices - order part number 24122327	69

\* Available only with 996L-NL/L-DT/K-NL/K-DT/EO, 110NL-OP, 990EO trims, and EO devices.

## Less Bottom Rod/Less Bottom Latch

(LBR/LBL Fire-Rated Devices must be ordered in pairs, and one Auxiliary Fire Pin (AFL) is furnished per pair.)

<b>Suffix</b>	<b>Description</b>	<b>Deduct</b>	<b>Add</b>
<b>LBR or LBR-AFL</b>	98/9927LBR	120	
	98/9927-F-LBR (First Leaf)	N/C	
	98/9927-F-LBR-AFL (Second Leaf)	N/C	
	98/9947LBR	128	
	98/9947-F-LBR (First Leaf)	N/C	
	98/9947-F-LBR-AFL (Second Leaf)	N/C	
<b>LBL or LBL-AFL</b>	98/9947WDC-LBR	128	
	98/9947WDC-F-LBR (First Leaf)	N/C	
	98/9947WDC-F-LBR-AFL (Second Leaf)	N/C	
	98/9949LBL	128	
	98/9949-F-LBL (First Leaf)	128	
	98/9949-F-LBL-AFL (Second Leaf)		28
<b>LBR or LBR-AFL</b>	98/9950WDC-LBL	128	
	98/9950WDC-F-LBL (First Leaf)	128	
	98/9950WDC-F-LBL-AFL (Second Leaf)		28

## LBR/LBL Retrofit Kits for Fire-Rated Devices

	<b>Contents</b>	<b>Part Number</b>	<b>List Price</b>
<b>98/9927-F LBR Kit</b>	Auxiliary fire pin and two required 499F Strikes	050171-32	473
<b>98/9947-F/47WDC-F/49-F LBR/LBL Kit</b>	Auxiliary fire pin only	051860-32	156
<b>98/9950WDC-F LBL Kit</b>	Auxiliary fire pin, auxiliary fire latch strike, sleeve, and screws	48968887	162

## Pullman Latches

Not available for fire door applications

<b>Prefix</b>		<b>List Add</b>
<b>PL</b>	98/9927 Device PL Top and PL Bottom	254
	98/9947 Device PL Top and PL Bottom	358
<b>ES</b>	98/9927 Panic Device LBR with PL top Latch for electric strike application.	127
	98/9947 Panic Device LBR with PL top Latch for electric strike application. <b>CAUTION: A Panic LBR device is only a one point latching instead of two point. Security of the opening may be compromised.</b>	179

## Touchbar Options

<b>Suffix</b>		<b>List Add</b>
<b>BRAILLE</b>	Vision Impaired Touchpad, Raised Letters and Braille (US32D) Standard copy "Caution Stairwell." Other copy up to 20 alpha/numeric characters, one line, available, consult factory. <b>Specify handling.</b>	129
<b>PUSH</b>	Brass, Bronze and Stainless Touchbar trims embossed "PUSH." No additional charge when specified with device. <b>Specify handling.</b>	NC
<b>RSS</b>	Red silk-screened lettered Touchbar trims (as standard on SS devices). "Emergency Exit Only, Push to Open and Sound Alarm" No additional charge when specified with device. <b>Specify handling.</b>	NC
<b>KN</b>	Knurled Touchpad No additional charge when specified with device.	NC
<b>SG</b>	Safety Glow feature - for 3' device	469
	Safety Glow feature - for 4' device	488

CUSTOM GRAPHICS available on pushbar trim. See page 8 for details.

Prices subject to change without notice.

 Indicates products that have EPD documentation available and meet LEED v4.

# 98/99 Series - Options (continued)

## Weep Holes

Suffix		List Add
<b>WH</b>	Drainage (Weep) Holes in Mechanism Case 3' device will have 4 holes - 6" spacing, 4' device will have 6 holes - 6" spacing	92

## 49 Cable System

(Device Type and Door Opening Height must be specified when ordering)

Prefix	Suffix		List Price
<b>CS</b>		<b>Complete Cable System -</b> Includes: Top and Bottom Strikes, Latches, Centerslides, Cables and Mounting Packs	Door Opening Heights - 6'0" to 10'0" 996
<b>CS</b>	<b>LBL</b>	<b>Cable System - Less Bottom Latch</b> Includes: Top Strike, Top Latch, Top Cable, Centerslides, Mounting Packs	Door Opening Heights - 6'0" to 10'0" 868
<b>CS</b>	<b>LBL - 49AFL</b>	<b>Cable System - Less Bottom Latch - with Fire Pin Kit</b> Includes: Top Strike, Top Latch, Top Cable, Centerslides, Mounting Packs and Fire Pin Kit	Door Opening Heights - 6'0" to 10'0" 1024

## 50 WDC Cable System

(Door Type, Door Height, and Finish must be specified when ordering)

Prefix	Suffix		List Price
<b>CS</b>		<b>Complete Cable System</b> Includes: Top and Bottom Latches, Strikes, Cables, Centerslide, Mounting Packs	1140
<b>CS</b>	<b>F</b>	<b>Fire-Rated Complete Cable System</b> Includes: Top and Bottom Latches, Strikes, Cables, Centerslide, Mounting Packs, Fire kit	1440
<b>CS</b>	<b>LBL</b>	<b>Cable System - Less Bottom Latch</b> Includes: Top Latch, Strike, Cable, Centerslide, Mounting Packs	1012
<b>CS</b>	<b>LBL-F</b>	<b>Fire-Rated Cable System - Less Bottom Latch</b> Includes: Top Latch, Strike, Cable, Centerslide, Mounting Packs, Fire kit, Fire Pin kit	1468

## Anti-Microbial Finish

Suffix		List Add
<b>AM</b>	Antimicrobial Coating available in US26D and US32D, use suffix-AM when ordering. Example US26D-AM	
	<b>For Device with or without Trim</b>	70
	<b>For Trim Only (US26D-AM)</b>	33

## Door Thickness >2-1/4" - 4 1/4"

Suffix		List Add
<b>Door Thickness &gt; 2-1/4" - &lt;= 4 1/4"</b>	98/99 Rim, 98/9947/47WDC, 98/9948, 98/9949, 98/9950WDC devices EO (exit only no trim) with sex bolts.	92
	98/99 Rim, 98/9947/47WDC, 98/9948, 98/9949, 98/9950WDC devices NL-OP (with 110NL cylinder control) with sex bolts.	184
	98/99 Rim, 98/9947/47WDC, 98/9948, 98/9949, 98/9950WDC devices NL-OP (with 110NL cylinder control) NO sex bolts.	92
	98/9927, 98/9957 devices EO (exit only no trim).	92
	98/9927, 98/9957 devices NL-OP (with 110NL cylinder control)	184

## Von Duprin Remote Undogging and Remote Monitoring Kit

- Modular Retrofit Kit for 98/99 and 33A/35A Series Devices
  - Access control managed via an IP or RS1/ RS-485 connection to the gateway through Allegion software alliance members.
  - \*\* Please note, ENGAGE cloud based management not available.\*\*
  - Consult your access control software provider for pricing and specific scope of support.
- For details regarding the configurations that are available, please see page 276 of the Schlage Electronics Price Book.

Prices subject to change without notice.

 Indicates products that have EPD documentation available and meet LEED v4.

## Pneumatic Devices

Prefix		List Add
PN	Pneumatic	1456
Accessories		Order Part Number
PNT-1	Pneumatic Power Transfer	012014-36
PN Connector	PN Adapter Kit - 5/32" to 1/4" LCN Tubing	051827-00
PN 5/32" Tubing	25' length	051828-00
	50' length	051823-00
	100' length	051824-00
	200' length	051825-00
		Each Price
		638
		39
		26
		34
		58
		109

## Electric Latch Retraction

See 98/99 Product Catalog for required accessory equipment

Device Prefix	Description	List Add
EL	Electric Latch Retraction	976
HD-EL	Electric Latch Retraction with Hex Dogging (Panic Only)	976
SD-EL	Electric Latch Retraction with Special Center Case Dogging, available with "EL" option on 98/99 Rim/27/57/47/48/49/50 panic devices. SPECIFY HANDLING	1396
QEL	Quiet Electric Latch Retraction	941
HD-QEL	Quiet Electric Latch Retraction with Hex Dogging (Panic Only)	941
SD-QEL	Quiet Electric Latch Retraction with Special Center Case Dogging, available with "QEL" option on 98/99 Rim/27/57/47/48/49/50 panic devices. SPECIFY HANDLING	1361
QELX	Quiet Electric Latch Retraction for AX Devices	1001
HD-QELX	Quiet Electric Latch Retraction with Hex Dogging (Panic Only) for AX Devices	1001

## EL Conversion Kits

(Field Conversion Kits for Electric Latch Retraction)

EL Baseplate Conversion Kit	Standard		Allegion Connect -CON		List Price
	3' device	4' device	3' device	4' device	
EL Baseplate Conversion Kit	050070	050078	050853	050854	1138
HD-EL Baseplate Conversion Kit (Hex Dogging included - Panic Only)	050384	050385	050855	050856	1138

## QEL Conversion Kits

(Field Conversion Kits for Quiet Electric Latch Retraction)

QEL Baseplate Conversion Kit	Standard		Allegion Connect -CON		List Price
	3' device	4' device	3' device	4' device	
QEL Baseplate Conversion Kit	958003	040065	040063	040066	989
HD-QEL Baseplate Conversion Kit (Hex Dogging included - Panic Only)	958004	040067	040064	040068	989
QELX Baseplate Conversion Kit for AX devices	041166	041167	041168	041169	1049
HD-QELX Baseplate Conversion Kit for AX devices (Hex Dogging Included - Panic Only)	041170	041171	041172	041173	1049

## Modular Conversion Kits (For Non-EL Panic Devices, for Non-EL Fire-rated Devices sold after October 2014, or for replacing existing motor)

QEL Modular Conversion Kit	114317	114317	040061	040061	941
HD-QEL Modular Conversion Kit (Hex Dogging included - Panic Only)	958002	958002	040062	040062	941
QELX Modular Conversion Kit for AX devices	041162	041162	041163	041163	1001
HD-QELX Modular Conversion Kit for AX devices (Hex Dogging Included - Panic Only)	041164	041164	041165	041165	1001

## Exit Alarm

Suffix		List Add
ALK	Exit Alarm available on 98/99 series Panic and Fire Devices. Price includes switch - "RX" switch, "LX" is optional at no additional charge. For vertical rod tampering monitoring on Surface Vertical Devices, specify device with LX (Latch Bolt Monitor Switch). To order Less Switch, <b>Deduct \$256</b> list. 9 volt battery included.	635

## Switches

Prefix		List Add
RX	Request to Exit - available on all 98/99 Series Devices	256
RX-LC	Request to Exit Low Current - available on all 98/99 Series Devices	297
RX-2	Request to Exit Double Switch - available on all 98/99 Series Devices	318
RX-AUX	RX to RX-2 Conversion - Order part number 050271	266
WP-RX	Waterproof Request to Exit - available on all 98/99 Series Devices	369
* LX	Latchbolt Monitoring - available on all 98/99 Series Devices.	256
* LX-LC	Latchbolt Monitoring Low Current - available on all 98/99 Series Devices except 98/9975.	297
* LX-RX	Request to Exit/Latchbolt Monitoring combination available on all 98/99 Series Devices except 98/9975.	387
* LX-RX-LC	Request to Exit/Latchbolt Monitoring combination Low Current available on all 98/99 Series Devices except 98/9975.	464
SS	Signal Switch - for Rim and Vertical Rod Devices -Specify Handing.	524
	Signal Switch - for Mortise Device (includes SS7500 lock) - Specify Handing.	780

\* For Latchbolt monitoring on **98/9975 Mortise Devices** specify the SS7500 lock and **add \$256 list** per device.  
For 98/9949, LX switch monitors trim input or electric dogging of EL/QEL devices. LX switch does not monitor latch condition.  
See page 107 for field-installed switch kit part numbers.

Prices subject to change without notice.

 Indicates products that have EPD documentation available and meet LEED v4.

# 98/99 Series - Options (continued)

## Electric Unlocking

Prefix		List Add
E	<b>Electric Unlocking of outside trim</b> - for all 98/9975 Mortise Devices. Available with TP, K, or L functions only. "AC" current requires <b>SO12</b> or <b>SO24</b> rectifier kit. <b>Add \$43 list per device.</b> Specify FAIL SECURE (FSE) or FAIL SAFE (FS).	636
<b>NOTE: SO rectifier kit intended for fail secure / momentary use only. Contact product support for assistance.</b>		
E996	<b>Electric Unlocking of outside E996 Trim</b> - for 98/99 rim, mortise, surface vertical and concealed vertical devices. Available with L or LBE functions only. Specify handing.  Available standard in 12 or 24 VDC, Fail Safe (FS) and Fail Secure (FSE). Can also be converted in the field. <b>See Page 93 for pricing and optional lever designs.</b> <b>RETROFIT KITS FOR EXISTING 996L TRIM (for 24 VDC)</b> 996 R/V/C Conversion to E Kit Order part number 050672-00 996 Mort Conversion to E Kit Order part number 050673-00	671  747 776
M996	<b>Motor Driven Electric Unlocking of outside M996 Trim</b> - for 98/99 rim, mortise, surface vertical and concealed vertical devices. Available with L or LBE functions only. Specify handing. Dual voltage - works with either 12 or 24 VDC power supplies, furnished Fail Safe (FS) but can be converted in the field with dip switch without mechanical conversion. <b>See Page 93 for pricing and optional lever designs.</b> <b>RETROFIT KITS FOR EXISTING 996L TRIM</b> 996 R/V/C Conversion to Motorized Kit Order part number 47273111 996 Mort Conversion to Motorized Kit Order part number 47273112	640  712 740

## Chexit

Prefix		List Add
CX	<b>Chexit – Controlled Exit Device</b> - available on all 98/99 Series Devices 15 Second Delay furnished standard. DT Function requires an electric strike to access opening. For CX98/9927 and CX98/9957 panic and fire devices, two Rod Guards (RGO) supplied standard. <b>Add \$598 list</b> per device. For doors over 7' additional RGO's will be added as needed to protect the rods. For each additional RGO, <b>add \$299 List.</b> For latch protection, latch guards (LGO) found on page 100 can be ordered separately.	1865

Chexit Options:		List Add
RCM	Remote Chexit Module	267
* RCM KIT-98	Less Module - specify part number 040199 and finish.	267
* RCM KIT-99	Less Module - specify part number 040198 and finish.	267
0 Delay	0 Second Delay	137
**30 Delay	30 Second Delay	137
BOCA-15 Delay	15 second delay with BOCA Modification	137
**BOCA-30 Delay	30 second delay with BOCA Modification	137
**Other Delays	2-60 Seconds in 2 second intervals or infinite delay	183

\* 15 second Module sold separately. Specify part number **040086**.

\*\* Over 15 second delay requires a letter of approval from the authority having local jurisdiction over the premises prior to the installation of the device. Allegion cannot grant such approval nor does it warrant local jurisdiction compliance.

Chexit is not available with any electrical options (EL, QEL, PN). Chexit is not available with any switches (RX, RXLC, RX2, WP-RX, LX, LXLC, LXR, LXRXL, SS)

## Connectors

Suffix		List Add
CON	Cross-category solution using common interconnect components for electrified options. <b>Available with ALK, LX, LXLC, LXR, LXRXL, RX and RXLC switches, EL, QEL, CX, E996, M996 E7500, SS7500</b>	N/C

## Quiet Mechanical

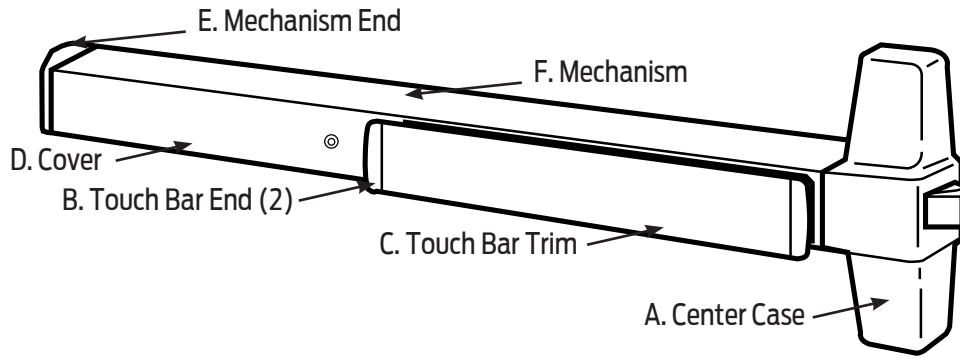
Prefix		List Add
QM	Controls motion to reduce operational noise. The QM device option provides damper-controlled re-latching. Available on 98/99 rim and 98/9927 devices. Compatible with most of the device options including QEL, EL, AX, RX, and CD. Not available with CX and LX. Specify QM996 if quiet trim is desired.	191
	<b>QM Rim Device Retrofit Kit - 33A/35A</b>	191
	<b>QM SVR Device Retrofit Kit - 33/3527A</b>	191

Prices subject to change without notice.

 Indicates products that have EPD documentation available and meet LEED v4.



# Finish Chart - XP98/XP99 Series



## Standard Finishes

Color	US Number	BHMA Number	A, B, E	C -Touch Bar Trim Finishes	D, F
Bright Brass	US3	605	Bright Brass	Bright Brass US3, 605	Buffed Anodized
Satin Brass	US4	606	Satin Brass	Satin Brass US4, 606	Anodized
Satin Bronze	US10	612	Plated/Anodized	Satin Bronze US10, 725	Anodized
Satin Nickel	US15	619	Plated, Clear Powder Coat	Satin Stainless Steel US32D, 630	Anodized
Polished Chrome	US26	625	Plated	Bright Stainless Steel US32, 629	Buffed Anodized
Satin Chrome	US26D	626	Powder Coat	Satin Stainless Steel US32D, 630	Anodized
Anodized Aluminum	US28	628	Powder Coat	Satin Stainless Steel US32D, 630	Anodized
Satin Stainless Steel	US32D	630	Stainless Steel	Satin Stainless Steel US32D, 630	Anodized
Duranodic Dark Bronze	313	710	Powder Coat	Powder Coat 313, 710	Powder Coat
Black	315	711	Powder Coat	Powder Coat 315, 711	Powder Coat

US15 and US32D available on XP98 Series only.

## Special Finishes

Color	US Number	BHMA Number	A, B, E	C -Touch Bar Trim Finishes	D, F
Bright Bronze	US9	611	Plated	Bright Bronze US9, 611	Buffed Anodized
Satin Bronze, Oil-Rubbed	US10B	613	Oil-Rubbed	Oil-Rubbed, US10B	Powder Coat
Satin Chrome, Antimicrobial	US26D-AM	626-AM	AM Clear over Chrome	AM Clear over Satin Stainless Steel US32D, 630	AM Clear over Anodized
Satin Stainless Steel, Antimicrobial	US32D-AM	630-AM	AM Clear over Stainless Steel	AM Clear over Satin Stainless Steel US32D, 630	AM Clear over Anodized
Powder Coat	RAL # *	--	Powder Coat	Satin Stainless Steel US32D, 630 (unless specified to match device)	Powder Coat

\* See Finish page for optional RAL color information.

### FINISH NOTES:

US15, US32D, US32D-AM available on XP98 Series only.

## XP98 / XP99 Series Sex Bolt Quantities

Application	425 Sex Bolt (Optional)	825 Sex Bolt (Supplied)
DT, EO, NL, TP, K or L Device with trim	2	
99 NLOP Device with 110MD/WD	6	
99 EO Device (exit device only)	6	
99-F Wood Door with trim		2

Prices subject to change without notice.

 Indicates products that have EPD documentation available and meet LEED v4.

# XP98/XP99 Series - Summary

## Type of Device

Rim

## Function

<b>EO</b> (Exit Only)	<b>DT</b> (Dummy Trim)	<b>L</b> (Lever-06 Standard)	<b>LBE</b> (Lever-Blank Escutcheon)
<b>NL</b> (Night Latch-Key Retracts)	<b>NLOP</b> (Night Latch, Opt. Pull)	<b>LDT</b> (Lever-Dummy Trim)	<b>LNL</b> (Lever-Night Latch)
<b>TP</b> (Thumbpiece)	<b>TPBE</b> (Thumbpiece - Blank Escutcheon)	<b>K</b> (Knob)	<b>KBE</b> (Knob Blank Escutcheon)
		<b>KDT</b> (Knob Dummy)	<b>KNL</b> (Knob Night Latch)

## Rating

**None** (Panic Exit Device)      **- F** (Fire Exit Device)

## Device Finish

<b>US3</b> (Bright Brass)	<b>US4</b> (Satin Brass)	<b>US9</b> (Bright Bronze)	<b>US10</b> (Satin Bronze)
<b>US10B</b> (Satin Bronze-Oil Rubbed)	<b>US26</b> (Bright Chrome)	<b>US26D</b> (Satin Chrome)	<b>US26D-AM</b> (Antimicrobial)
<b>US28</b> (Anodized Aluminum)	<b>313</b> (Duranodic Dark Bronze)	<b>315</b> (Black)	<b>643E</b> (Aged Bronze)
<b>US32D / US32D-AM</b> (Satin Stainless Steel) & <b>US15</b> (Satin Nickel) XP98 Series only			<b>US10B</b> (Satin Bronze- Oil Rubbed)

## Device Length (Feet and Inches)

**3'** (3' Device for 2' 4" - 3' Door)      **4'** (4' Device for 2' 10" - 4' Door)

## Device Handing

**RHR** (Right Hand Reverse)      **LHR** (Left Hand Reverse)

## Touch Bar Trim Options

**RSS** (Emergency Exit- US32D only)      **EMB** (Embossed - Push)      **BR** (Braille - US32D only)      **KN** (Knurled)

**SG** (Safety Glow)

## Touch Bar Finish

**US3** (Bright Brass)      **US4** (Satin Brass)      **US10** (Satin Bronze)      **US19** (Flat Black)

**US32** (Bright Stainless)      **US32D-AM** (Antimicrobial)      **US32D** (Satin Stainless)      **313** (Duranodic Dark Bronze)

**US10B** (Satin Bronze-Oil Rubbed)

## Dogging Options

**CD** (Cylinder Dogging - Panic Only)      **DI** (Dogging Indicator)      **CI** (Cylinder Dogging Indicator)

**LD** (Less Dogging Kit)      **HDSI** (Hex Dogging w/Indicator)      **CDSI** (Cylinder Dogging w/Indicator)      **SD** (Center Case Dogging)

## Switch Options

**RX** (Request to Exit)      **RXLC** (RX Low Current)      **RX2** (RX Double Switch)      **WP-RX** (Waterproof RX)

**LXLC** (LBM Low Current)      **LXRXLC** (LBM RX Low Current)

## Electric Options

**EL** (Electric Latch Retraction)      **QEL** (Quiet Electric Latch Retraction)

Prices subject to change without notice.

 Indicates products that have EPD documentation available and meet LEED v4.

(continued) **Summary - XP98/99 Series** 

**Device Options**

<b>AX</b> (Accessible Device)	<b>ALK</b> (Exit Alarm)	<b>CX</b> (Chexit - Controlled Exit)	<b>CX-RCM</b> (Chexit - Remote Module)
<b>-2</b> (Double Cylinder)	<b>CON</b> (Connectors)	<b>CYL</b> (Include Cylinder)	<b>GBK</b> (Include Glass Bead Kit)
<b>SEC</b> (Include Security Screws)	<b>SLM</b> (Include SLM Blocking)	<b>SNB</b> (Include Sexbolts)	
<b>WH</b> (Drainage/Weep Holes in Mechanism Case - 3' device will have 4 holes - 6" spacing, 4' device will have 6 holes - 6" spacing)			

**CHEXIT Options**

<b>15</b> (15 Second Delay)	<b>B15</b> (BOCA 15 Second Delay)	<b>M15</b> (15 Second Mute Delay)	<b>0</b> (0 Second Delay)
<b>30</b> (30 Second Delay)	<b>B30</b> (BOCA 30 Second Delay)	<b>INF</b> (Infinite Delay)	<b>2-60 Seconds</b> (2 second intervals)

**Strike Series**

<b>LS</b> (Less Strike)	<b>909</b> (Std. Panic & Fire)	<b>954</b> (Opt. Mullion)
-------------------------	--------------------------------	---------------------------

**Strike Finish**

<b>US19</b> (Flat Black)
--------------------------

**Trim Options**

<b>LT</b> (Less Trim)	<b>996</b> (Std. Lever Trim)	<b>VR910</b> (Vandal Resistant)	<b>110MD / 110WD</b> (Std. on NL-OP)
<b>392-7</b> (Opt. Pull Dummy Trim)	<b>990</b> (Std. Rim)	<b>E996</b> (Electric 996)	<b>696 / 696WDF</b> (Opt. Lever Trim)
<b>697 / 697WDF</b> (Opt. Lever Trim)	<b>M996</b> (Motorized 996)		

**Trim Finish**

<b>US3</b> (Bright Brass)	<b>US4</b> (Satin Brass)	<b>US10</b> (Satin Bronze)	<b>US10B</b> (Satin Bronze-Oil Rubbed)
<b>US26</b> (Bright Chrome)	<b>US26D</b> (Satin Chrome)	<b>SPBLK</b> (Black Painted)	<b>313</b> (Duranodic Dark Bronze)
<b>US15</b> (Satin Nickel)			

**Trim Lever Styles** 06 Lever Standard

<b>ACC</b> (Accent Lever)	<b>AST</b> (Asti Lever)	<b>MER</b> (Merona Lever)
<b>03K</b> (03 Knurled Lever)	<b>06K</b> (06 Knurled Lever)	<b>01, 02, 03, 05, 06, 07, 12, 16, 17, 18</b> (Levers)
<b>03 SS, 06 SS, 17 SS, Latitude SS, Longitude SS, M57, M62</b> (Stainless Steel Levers)		<b>LAT</b> (Latitude)
<b>M51, M52, M53, M54, M55, M56, M61, M63, M81, M82, M83, M84, M85, ME1, ME2, ME3</b>		<b>LON</b> (Longitude)

**Door Material**

<b>AL</b> (Aluminum Door)	<b>HM</b> (Hollow Metal)	<b>WD</b> (Wood Door)	<b>CP</b> (Composite Door)
---------------------------	--------------------------	-----------------------	----------------------------

**Door Thickness**

<b>1.3/4</b> (1-3/4" Standard)	<b>2</b> (2" Thickness)	<b>2.1/4</b> (2-1/4" Thickness)
--------------------------------	-------------------------	---------------------------------

**Door Application**

<b>P</b> (Pair of Doors with Mullion)	<b>S</b> (Single Door)
---------------------------------------	------------------------

Prices subject to change without notice.

 Indicates products that have EPD documentation available and meet LEED v4.

# XP98/XP99 Series - Devices

3' Devices are priced complete with standard trim and strike(s),  
4' add \$18 list.  
Cylinders and sex bolts are not included in price unless noted.

## EXIT HARDWARE

### Rim Devices

(Prices includes 909 Strike)

	US26D	US28	US32D	313	US10	US4/4A	US3/3A	315	US10B	Wt. lbs.		Standard Trim/Control
							US15 US26 643E			3'	4'	
XP98/99EO	1598	1417	1623	1485	1619	1642	1859	2277	1821	14	17	-
XP98/99DT	1860	1679	1885	1766	1900	1853	2152	2558	2102	17	19	990DT
XP98/99NL	1879	1698	1904	1774	1912	1871	2159	2566	2110	17	19	990NL-R&V
XP98/99NL-OP	1731	1550	1756	1618	1752	1767	1994	2412	1954	15	18	110MD/WD
XP98/99TP	1973	1792	1998	1871	1992	1952	2263	2663	2207	16	20	990TP-R&V
XP98/99TP-BE	1973	1792	1998	1871	1992	1952	2263	2663	2207	16	20	990TP-BE-R&V
XP98/99K	2048	1867	2073	1959	2157	2036	2435	2751	2295	18	21	996K-R&V
XP98/99K-BE	2048	1867	2073	1959	2157	2036	2435	2751	2295	18	21	996K-BE-R&V
XP98/99K-DT	2037	1856	2062	1942	2140	2028	2412	2734	2278	18	21	996K-DT-R&V
XP98/99K-NL	2037	1856	2062	1942	2140	2028	2412	2734	2278	18	21	996K-NL-R&V
XP98/99L	2205	2024	2230	2108	2252	2212	2567	2900	2444	19	21	996L-R&V
XP98/99L-BE	2205	2024	2230	2108	2252	2212	2567	2900	2444	18	21	996L-BE-R&V
XP98/99L-DT	2070	1889	2095	1973	2162	2106	2424	2765	2309	18	21	996L-DT-R&V
XP98/99L-NL	2070	1889	2095	1973	2162	2106	2424	2765	2309	18	21	996L-NL-R&V

## FIRE EXIT HARDWARE

### Rim Devices

(Price includes 909 Strike for single door applications.)

(For double door applications, the 954 Strike will be supplied at an additional \$108 list add.)

XP98/99EO-F	1758	1631	1820	1738	1825	1915	2081	2519	2137	13	16	-
XP98/99DT-F	2020	1893	2082	2019	2106	2126	2374	2800	2418	16	18	990DT
XP98/99NL-F	2039	1912	2101	2027	2118	2144	2381	2808	2426	16	18	990NL-R&V
XP98/99NL-OP-F	1891	1764	1953	1871	1958	2040	2216	2654	2270	14	17	110MD/WD
XP98/99TP-F	2133	2006	2195	2124	2198	2225	2485	2905	2523	17	19	990TP-R&V
XP98/99TP-BE-F	2133	2006	2195	2124	2198	2225	2485	2905	2523	17	19	990TP-BE-R&V
XP98/99K-F	2208	2081	2270	2212	2363	2309	2657	2993	2611	19	20	996K-R&V
XP98/99K-BE-F	2208	2081	2270	2212	2363	2309	2657	2993	2611	19	20	996K-BE-R&V
XP98/99K-NL-F	2197	2070	2259	2195	2346	2301	2634	2976	2594	19	20	996K-NL-R&V
XP98/99L-F	2365	2238	2427	2361	2458	2485	2789	3142	2760	18	20	996L-R&V
XP98/99L-BE-F	2365	2238	2427	2361	2458	2485	2789	3142	2760	18	20	996L-BE-R&V
XP98/99L-NL-F	2230	2103	2292	2226	2368	2379	2646	3007	2625	18	20	996L-NL-R&V

### XP98/99 Notes:

**Finish** - US32D and US15 finishes available on Series 98 only.

**Finish** - US3A, US4A, consult factory for lead time.

**Finish** - US10B finish has 313 finish device with US10B parts.

Prices subject to change without notice.

 Indicates products that have EPD documentation available and meet LEED v4.

## Accessible Device

Prefix		List Add
AX	AX Accessible device compliant with the California Building Code (Section 11B-309.4) requirement for 5 lb. maximum operation force. <b>EL and QELX options available. Not available with CX.</b>	64

## Cylinder Dogging

(Not for use with Fire Exit Hardware)

Prefix		List Add
CD	Standard Baseplate Cylinder dogging available.	100
CI	Cylinder Dogging Indicator. Not available with EL/QEL electrical option.	274
CDSI	Cylinder Dogging Indicator w/Indicator	329
DI	Dogging indicator	258
HDSI	Hex Dogging w/Indicator	237
LD	Less Dogging	N/C
SD	Special center case dogging available on Panic Devices ONLY. Can be used with the "EL" option. Specify handling.	420

## Double Cylinder

Suffix		List Add
-2	Double Cylinder Option available for TP, K & L functions on XP98/99 RIM Devices. <b>Specify handling.</b>	343
-2SI	Double Cylinder with Security Indicator. Rim cylinder sold separately. Cylinder with T-Turn available from Schlage, order part # XB 11-979 Double cylinder with security indicator available with TP, TP-BE, K, K-BE, L, & L-BE functions only. <b>Specify handling.</b>	574
971220-00	Lock/Unlock label only, order part number 971220-00.	11

## Touchbar Options

Suffix		List Add
BRAILLE	Vision Impaired Touchpad, Raised Letters and Braille (US32D) Standard copy "Caution Stairwell." Other copy up to 20 alpha/numeric characters, one line, available, consult factory. <b>Specify handling.</b>	129
PUSH	Brass, Bronze and Stainless Touchbar trims embossed "PUSH." No additional charge when specified with device. <b>Specify handling.</b>	NC
RSS	Red silk-screened lettered Touchbar trims (as standard on SS devices). "Emergency Exit Only, Push to Open and Sound Alarm" No additional charge when specified with device. <b>Specify handling.</b>	NC
KN	Knurled Touchpad No additional charge when specified with device.	NC
SG	Safety Glow feature - for 3' device	469
	Safety Glow feature - for 4' device	488

CUSTOM GRAPHICS available on pushbar trim. See page 8 for details.

## Weep Holes

Suffix		List Add
WH	Drainage (Weep) Holes in Mechanism Case 3' device will have 4 holes - 6" spacing, 4' device will have 6 holes - 6" spacing	92

## Anti-Microbial Finish

Suffix		List Add
AM	Antimicrobial coating available in US26D, use prefix-AM when ordering. Example US26D-AM *US32D-AM available only on 98 series devices)	
	For Device with or without Trim	70
	For Trim Only (US26D-AM)	33

Prices subject to change without notice.

 Indicates products that have EPD documentation available and meet LEED v4.

# XP98/XP99 Series - Options (continued)

## Electric Latch Retraction

See XP98/99 Product Catalog for required accessory equipment

Device Prefix	Description	List Add
EL	Electric Latch Retraction	976
HD-EL	Electric Latch Retraction with Hex Dogging (Panic Only)	976
SD-EL	Electric Latch Retraction with Special Center Case Dogging, available with "EL" option on XP98/99 Rim panic devices. SPECIFY HANDING	1396
QEL	Quiet Electric Latch Retraction	941
HD-QEL	Quiet Electric Latch Retraction with Hex Dogging (Panic Only)	941
SD-QEL	Quiet Electric Latch Retraction with Special Center Case Dogging, available with "QEL" option on XP98/99 Rim panic devices. SPECIFY HANDING	1361
<b>QELX</b>	<b>Quiet Electric Latch Retraction for AX Devices</b>	<b>1001</b>
<b>HD-QELX</b>	<b>Quiet Electric Latch Retraction with Hex Dogging (Panic Only) for AX Devices</b>	<b>1001</b>

## EL Conversion Kits

(Field Conversion Kits for Electric Latch Retraction)

	Standard		Allegion Connect -CON		List Price
	3' device	4' device	3' device	4' device	
<b>EL Baseplate Conversion Kit</b>	050070	050078	050853	050854	1138
<b>HD-EL Baseplate Conversion Kit (Hex Dogging included - Panic Only)</b>	050384	050385	050855	050856	1138

## QEL Conversion Kits

(Field Conversion Kits for Quiet Electric Latch Retraction)

	Standard		Allegion Connect -CON		List Price
	3' device	4' device	3' device	4' device	
<b>Baseplate Conversion Kits (May be used for ANY conversion application)</b>					
<b>QEL Baseplate Conversion Kit</b>	958003	040065	040063	040066	989
<b>HD-QEL Baseplate Conversion Kit (Hex Dogging included - Panic Only)</b>	958004	040067	040064	040068	989
<b>QELX Baseplate Conversion Kit for AX devices</b>	041166	041167	041168	041169	1049
<b>HD-QELX Baseplate Conversion Kit for AX devices (Hex Dogging Included - Panic Only)</b>	041170	041171	041172	041173	1049
<b>Modular Conversion Kits (For Non-EL Panic Devices, for Non-EL Fire-rated Devices sold after October 2014, or for replacing existing motor)</b>					
<b>QEL Modular Conversion Kit</b>	114317	114317	040061	040061	941
<b>HD-QEL Modular Conversion Kit (Hex Dogging included - Panic Only)</b>	958002	958002	040062	040062	941
<b>QELX Modular Conversion Kit for AX devices</b>	041162	041162	041163	041163	1001
<b>HD-QELX Modular Conversion Kit for AX devices (Hex Dogging Included - Panic Only)</b>	041164	041164	041165	041165	1001

## Exit Alarm

Suffix

Suffix	Description	List Add
<b>ALK</b>	Exit Alarm Price includes switch - "RX" switch, "LXLC" is optional at no additional charge. To order Less Switch, <b>Deduct \$256 list.</b> 9 volt battery included.	635

## Switches

Prefix

Prefix	Description	List Add
<b>RX</b>	Request to Exit	256
<b>RX-LC</b>	Request to Exit Low Current	297
<b>RX-2</b>	Request to Exit Double Switch	318
<b>RX-AUX</b>	RX to RX-2 Conversion - Order part number 050271.	266
<b>WP-RX</b>	Waterproof Request to Exit	369
<b>LX-LC</b>	Latchbolt Monitoring Low Current	297
<b>LX-RX-LC</b>	Request to Exit / Latchbolt Monitoring combination Low Current	464

See page 107 for field-installed RX switches, the LX-LC switch is factory installed only.

Prices subject to change without notice.

 Indicates products that have EPD documentation available and meet LEED v4.

# Options - XP98/99 Series

## Electric Unlocking

Prefix		List Add
<b>E996</b>	E996 Electric Unlocking of outside E996 Trim - for XP98/99 rim devices. Available with L or LBE functions only. <b>Specify Handing</b> Available standard in 12 or 24 VDC, Fail Safe (FS) and Fail Secure (FSE). Can also be converted in the field. See Page 93 for pricing and optional lever designs.	671
	<b>RETROFIT KITS FOR EXISTING 996L TRIM (for 24 VDC)</b>	
	996 R/V/C Conversion to E Kit	Order part number 050672-00 747
	996 Mort Conversion to E Kit	Order part number 050673-00 776
<b>M996</b>	<b>Motor Driven Electric Unlocking of outside M996 Trim - for 98/99 rim, mortise, surface vertical and concealed vertical devices. Available with L or LBE functions only. Specify handing.</b> Dual voltage - works with either 12 or 24 VDC power supplies, furnished Fail Safe (FS) but can be converted in the field with dip switch without mechanical conversion. <b>See Page 93 for pricing and optional lever designs.</b>	640
	<b>RETROFIT KITS FOR EXISTING 996L TRIM</b>	
	996 R/V/C Conversion to Motorized Kit	Order part number 47273111 712
	996 Mort Conversion to Motorized Kit	Order part number 47273112 740

## Chexit

Prefix		List Add
<b>CX</b>	<b>Chexit – Controlled Exit Device</b> 15 Second Delay furnished standard.	1865

Chexit Options:		List Add
<b>RCM</b>	Remote Chexit Module	267
<b>* RCM KIT-98</b>	Less Module - specify part number 040199 and finish.	267
<b>* RCM KIT-99</b>	Less Module - specify part number 040198 and finish.	267
<b>0 Delay</b>	0 Second Delay	137
<b>** 30 Delay</b>	30 Second Delay	137
<b>BOCA-15 Delay</b>	15 second delay with BOCA Modification	137
<b>** BOCA-30 Delay</b>	30 second delay with BOCA Modification	137
<b>** Other Delays</b>	2-60 Seconds in 2 second intervals or infinite delay	183

\* 15 second Module sold separately. Specify part number **040086**.

**\*\* Over 15 second delay requires a letter of approval from the authority having local jurisdiction over the premises prior to the installation of the device. Allegion cannot grant such approval nor does it warrant local jurisdiction compliance.**

Chexit is not available with any electrical options (EL, QEL, PN).

Chexit is not available with any switches (RX, RXLC, RX2, WP-RX, LX, LXLC, LXR, LXRXL, SS)

## Connectors

Suffix		List Add
<b>CON</b>	Cross-category solution using interconnect components for electrified options. <b>Available with ALK, LXLC, RX and RXLC switches.</b>	N/C

## XP98/99 Retrofit Kits

Model	Description	US26D	313 315 US28	US3 US15 US26	US32D	US4 US10
<b>XP99-909</b>	98/99 Series Device conversion to XP with 909 strike. Order part number 050676 - Specify finish.	1002	967	1104	1039	995
<b>XP99-954</b>	98/99 Series Device conversion to XP with 954 strike. Order part number 050675 - Specify finish.	1110	1075	1190	1146	1104

## Door Thickness >2-1/4" - 4 1/4"

Suffix		List Add
<b>Door Thickness &gt; 2-1/4" - &lt;= 4 1/4"</b>	XP98/99 Rim devices EO (exit only no trim) with sex bolts.	92
	XP98/99 Rim devices NL-OP (with 110NL cylinder control) with sex bolts.	184
	XP98/99 Rim devices NL-OP (with 110NL cylinder control) NO sex bolts.	92

Prices subject to change without notice.

# 98/9952 POOL EXIT HARDWARE

Designed to meet specific needs of pool enclosures  
Weather-resistant components ideal for outdoor applications

**Compliance Specification:**  
UL Listed for panic exit hardware (UL 305)  
ANSI/BHMA A156.3 - 2014, Grade 1  
Meets International Building Code for Pool Enclosures  
Compliant with 2010 ADA Standards for Accessible Design

## Devices

(Prices includes 699 Strike)

	3'		4'		Standard Trim
	US26D	313	US26D	313	
<b>98/9952L</b>	2361	2274	2379	2292	252L
<b>98/9952L-BE</b>	2361	2274	2379	2292	252L-BE
<b>98/9952EO (includes 699 and 299 strikes)</b>	1971	1884	1989	1902	

**NOTE:** 98/9952 x 252L/LBE template (47273677) can be ordered at no charge if needed before installation.

## Accessories

Trim

	SP28	SP313
<b>252L</b>	453	453
<b>252L-BE</b>	453	453

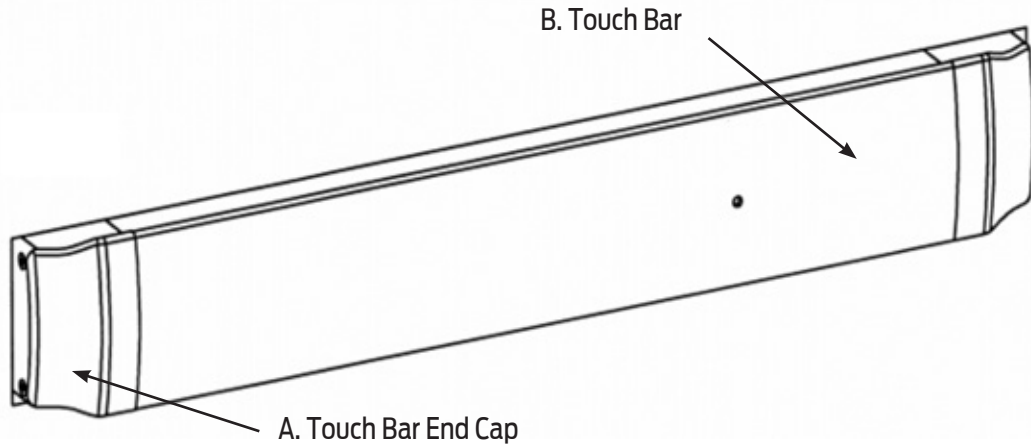
Strike

	US19	SP28	SP313
<b>699</b>	118	118	118

Prices subject to change without notice.



# Finish Chart - 94/95 INPACT Series



## Standard Finishes

Color	US Number	BHMA Number	A	B -Touch Bar Finishes*
Bright Brass	US3	605	Powder Coat - Black 315, 622	Bright Brass US3
Satin Brass	US4	606	Powder Coat - Black 315, 622	Satin Brass US4
Satin Bronze	US10	612	Powder Coat - Black 315, 622	Satin Bronze US10
Polished Chrome	US26	625	Powder Coat - Black 315, 622	Bright Stainless Steel US32
Satin Chrome	US26D	626	Powder Coat - Black 315, 622	Satin Stainless Steel US32D
Anodized Aluminum	US28	628	Powder Coat - Black 315, 622	Satin Stainless Steel US32D
Duranodic Dark Bronze	313	710	Powder Coat - Black 315, 622	Powder Coat 313, 710
Satin Chrome, Antimicrobial	US26D-AM	626-AM	AM Clear over 622	AM Clear over Anodized

\* Anodized Equivalent

No Sex Bolts are needed for the **94/95 Series** device.

Prices subject to change without notice.

# 94/95 INPACT Series - Summary

## EXIT HARDWARE

### Type of Device

**94/9547** (Concealed Vertical Rod)    **94/9548** (Concealed Vertical Rod)    **94/9575** (Mortise Lock)

### Function

**EO** (Exit Only)                      **DT** (Dummy Trim)                      **L** (Lever-06 Standard)                      **LDT** (Lever-Dummy Trim)  
**NL** (Night Latch-Key Retracts)    **LBE** (Lever-Blank Escutcheon)                      **TL** (Turn Lever)                      **TLBE** (Turn Lever - Blank Escutcheon)  
**TLOP** (Turn Lever, Opt. Pull)

### Rating

**None** (Panic Exit Device)                      - **F** (Fire Exit Device)

### Device Finish

**US3** (Bright Brass)                      **US4** (Satin Brass)                      **US10** (Satin Bronze)                      **US26** (Bright Chrome)  
**US26D** (Satin Chrome)                      **US28** (Anodized Aluminum)                      **313** (Duranodic Dark Bronze)                      **US26D-AM** (Antimicrobial)

### Device Handing

**RHR** (Right Hand Reverse)                      **LHR** (Left Hand Reverse)

### Switch Options

**LX** (Latchbolt Monitoring)

### Electric Options

**QEL** (Quiet Electric Latch Retraction)

### Device Options

**CYL** (Include Cylinder)                      **PL** (Pullman Latch w/ES Strike)                      **AX** (Accessible Device)

### Rods For Surface / Concealed Vertical Devices only

**LBR** (Less Bottom Rod)                      **LBRAFL** (LBR with Aux. Fire Pin)

### Strike Series

**LS** (Less Strike)                      **LTS** (Less Top Strike)                      **575** (Std. Mortise)                      **575-2** (Opt. Mortise)  
**576A/576B** (Opt. Mortise)                      **338** (Std. Concealed Vertical Rod)

### Bottom Strike Series

**LBS** (Less Bottom Strike)                      **304L** (Mortise)                      **385A** (Adjustable Mortise)

### Strike Finish

**US3** (Bright Brass)                      **US4** (Satin Brass)                      **US10** (Satin Bronze)                      **US10B** (Satin Bronze-Oil Rubbed)  
**US19** (Flat Black)                      **US32** (Bright Stainless)                      **US32D** (Satin Stainless)                      **MD** (e-Moly)

### Trim Options

**LT** (Less Trim)                      **550** (Opt. Offset Dummy Trim)                      **392-7** (Opt. Wire Pull Trim)

Prices subject to change without notice.

(continued) **Summary - 94/95 INPACT Series**

**Trim Lever Styles 06 Lever Standard**

03, 06, 07, 12, 17 (Levers)

**Trim / Control Finish**

<b>US3</b> (Bright Brass)	<b>US4</b> (Satin Brass)	<b>US10</b> (Satin Bronze)	<b>US10B</b> (Satin Bronze-Oil Rubbed)
<b>US19</b> (Flat Black)	<b>US26</b> (Bright Chrome)	<b>US26D</b> (Satin Chrome)	<b>SP28</b> (Sprayed Lacquer Aluminum)
<b>SPBLK</b> (Black Painted)	<b>SP313</b> (Dark Bronze)	<b>US26D-AM</b> (Anti-Microbial)	

**Control Options**

<b>LC</b> (Less Control)	<b>376T</b> (Thumbturn Control - CV)	<b>940L</b> (Lever Control)
--------------------------	--------------------------------------	-----------------------------

**Control Lever Styles 06 Lever Standard**

<b>03, 06, 07, 12, 17</b> (Levers)	<b>AST</b> (Asti Lever)	<b>ACC</b> (Accent Lever)	<b>MER</b> (Meronia Lever)
	<b>01, 02, 05, 16, 18</b> (Levers)	<b>03K</b> (03 Knurled Lever)	<b>06K</b> (06 Knurled Lever)

**03 SS, 06 SS, 17 SS, LAT SS, LON SS, M57, M62** (Stainless Steel Levers)

**M51, M52, M53, M54, M55, M56, M61, M63, M81, M82, M83, M84, M85, ME1, ME2, ME3**

**Door / Frame Material**

**HM** (Hollow Metal)

**Door Thickness**

**1.3/4** (1-3/4" Standard)

**Door Application**

<b>D</b> (Double Egress)	<b>P</b> (Pair of Doors)	<b>S</b> (Single Door)
--------------------------	--------------------------	------------------------

**Mortise Lock**

<b>LL</b> (Less Lock)	<b>SS7500IN</b>	<b>7500IN</b>
-----------------------	-----------------	---------------

**Mortise Lock Finish**

<b>US3</b> (Bright Brass)	<b>US4</b> (Satin Brass)	<b>US10</b> (Satin Bronze)	<b>US10B</b> (Satin Bronze-Oil Rubbed)
<b>US19</b> (Flat Black)	<b>US32</b> (Bright Stainless)	<b>US32D</b> (Satin Stainless)	<b>SP28</b> (Sprayed Lacquer Aluminum)

Prices subject to change without notice.

# 94/95 INPACT Series • Devices

Devices 3' to 4' are priced complete with standard trim, and strike(s).  
Cylinders are not included in price.

## EXIT HARDWARE

### Concealed Vertical Rod Devices

(Prices includes 338 and 385 Strikes)

	US26D	US28	313	US10	US4	US3 US26	Weight lbs.	Standard Trim/Control
94/9547EO	1765	1656	1683	1773	1851	1969	17	–
94/9547DT	2293	2184	2211	2301	2291	2512	19	550DT
94/9547L	2460	2351	2398	2519	2546	2750	22	940L
94/9547L-BE	2460	2351	2398	2519	2546	2750	22	940L-BE
94/9547L-DT	2547	2438	2489	2603	2633	2799	22	940L-DT
94/9547TL	3047	2938	2965	3097	2939	3328	22	550DT/376T
94/9547TL-BE	3010	2901	2928	3065	2899	3287	22	550DT/376T-BE

## FIRE EXIT HARDWARE

### Concealed Vertical Rod Devices

(Price includes 338 and 385A strikes)

94/9547EO-F	2038	1936	1989	2070	2155	2339	17	–
94/9547DT-F	2566	2464	2517	2598	2595	2882	22	550DT
94/9547L-F	2733	2631	2704	2816	2850	3120	22	940L
94/9547L-BE-F	2733	2631	2704	2816	2850	3120	22	940L-BE
94/9547TL-F	3320	3218	3271	3394	3243	3698	22	550DT/376T
94/9547TL-BE-F	3283	3181	3234	3362	3203	3657	22	550DT/376T-BE

## EXIT HARDWARE

### Concealed Vertical Rod Devices

(Prices includes 338 and 385 Strikes)

94/9548EO	2022	1912	1939	2027	2108	2225	17	–
94/9548DT	2550	2440	2467	2555	2548	2768	19	550DT
94/9548L	2717	2607	2654	2773	2803	3006	22	940L
94/9548L-BE	2717	2607	2654	2773	2803	3006	22	940L-BE
94/9548L-DT	2804	2694	2745	2857	2890	3055	22	940L-DT
94/9548TL	3304	3194	3221	3351	3196	3584	22	550DT/376T
94/9548TL-BE	3267	3157	3184	3319	3156	3543	22	550DT/376T-BE

## FIRE EXIT HARDWARE

### Concealed Vertical Rod Devices

(Price includes 338 and 385A strikes)

94/9548EO-F	2294	2193	2245	2326	2412	2596	17	–
94/9548DT-F	2822	2721	2773	2854	2852	3139	22	
94/9548L-F	2989	2888	2960	3072	3107	3377	22	940L
94/9548L-BE-F	2989	2888	2960	3072	3107	3377	22	940L-BE
94/9548TL-F	3576	3475	3527	3650	3500	3955	22	550DT/376T
94/9548TL-BE-F	3539	3438	3490	3618	3460	3914	22	550DT/376T-BE

Prices subject to change without notice.

Devices 3' to 4' are priced complete with standard trim, and strike(s).  
Cylinders are not included in price.

## EXIT HARDWARE

### Mortise Lock Devices

(Price includes 575 strike)

	US26D	US28	313	US10	US4	US3 US26	Weight lbs.	Standard Trim/Control
<b>94/9575EO</b>	2144	2033	2090	2175	2256	2372	17	-
<b>94/9575DT</b>	2672	2561	2618	2703	2696	2915	19	550DT
<b>94/9575NL</b>	2672	2561	2618	2703	2696	2915	22	550DT
<b>94/9575L</b>	2839	2728	2805	2921	2951	3153	22	940L
<b>94/9575L-BE</b>	2839	2728	2805	2921	2951	3153	22	940L-BE
<b>94/9575L-DT</b>	2926	2815	2896	3005	3038	3202	22	940L-DT

## FIRE EXIT HARDWARE

### Mortise Lock Devices

(Price includes 575 strike)

<b>94/9575EO-F</b>	2425	2326	2398	2478	2567	2748	17	-
<b>94/9575DT-F</b>	2953	2854	2926	3006	3007	3291	22	550DT
<b>94/9575NL-F</b>	2953	2854	2926	3006	3007	3291	22	550DT
<b>94/9575L-F</b>	3120	3021	3113	3224	3262	3529	22	940L
<b>94/9575L-BE-F</b>	3120	3021	3113	3224	3262	3529	22	940L-BE

Prices subject to change without notice.

# 94/95 INPACT Series - Options

Available on all 94 / 95 Series unless noted

## Device Length

		List Add
2' 6" up to 2' 9.7/8" Door	Add per Device	142

## Anti-Micorbial Finish

Suffix		List Add
<b>AM</b>	Antimicrobial Coating available in US26D, use suffix-AM when ordering. Example US26D-AM	
	<b>For Device with or without Trim</b>	70
	<b>For Trim Only (US26D-AM)</b>	33

## Accessible Device

Prefix		List Add
<b>AX</b>	Accessible device compliant with the California Building Code (Section 11B-309.4) requirement for 5 lb. maximum operation force. Available on AX94/9547 and AX94/9547-F. Trim functions available EO, DT, NL, L, LBE, LDT and LNL. Not available with QELX.	64

## Less Bottom Rod

Suffix		List Add
<b>LBR</b>	Less Bottom Rod available with UL Fire Label at no additional charge on 94/9547-F Devices. LBR devices must be ordered pairs of vertical rod devices with one AFL kit per pair (one device LBR, second device LBRAFL).	N/C
	Less bottom rod, Panic - 94/9547-LBR	<b>Deduct 128</b>
		<b>List Price</b>
<b>LBR KIT</b>	Fire Pin Kit, complete auxiliary bolt field replacement kit. Order part number 051860-32	156

## Electric Latch Retraction

See 94/95 INPACT Product Catalog for required accessory equipment

Device Prefix		List Add
<b>QEL</b>	Quiet Electric Latch Retraction	941
<b>Conversion Kit</b>		
<b>QEL 94/95 Inpact Modular Conversion Kit</b>	Order part number 958005-00	941

## Signal Switch

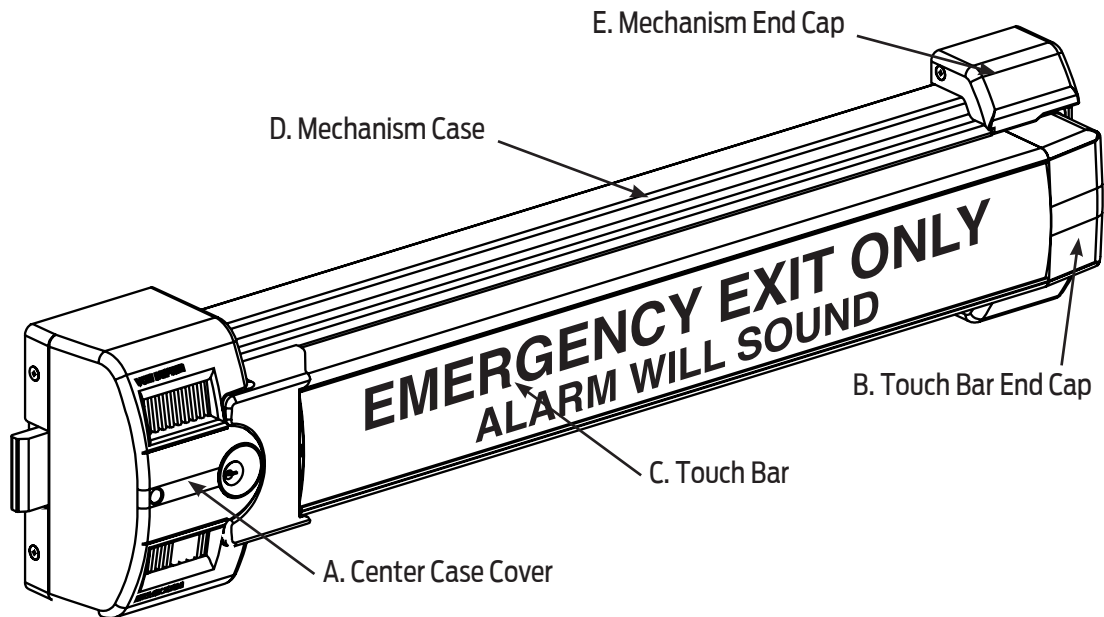
		List Add
<b>SS</b>	94/9575 Signal Switch feature on Mortise Device (includes SS7500-IN lock) - Specify Handing	256

## Switches

Prefix		List Add
<b>LX</b>	Latchbolt Monitoring. Order part number 050226-00 for field replacement.	256

Prices subject to change without notice.

# Finish Chart - 2670 Guard-X Series



## Standard Finishes

Color	US Number	BHMA Number	A	B, E	C - Touch Bar Finishes	D
Anodized Aluminum	US28	628	Powder Coat	Plastic - Silver	Satin Stainless Steel US32D, 630	Anodized
Duranodic Dark Bronze	313	710	Powder Coat	Plastic - Brown	Duranodic Dark Bronze 313, 710	Powder Coat
Black	315	711	Powder Coat	Plastic - Black	Black 315, 711	Powder Coat

## 2670 Series Sex Bolt Quantities

Application	Sex Bolt 325 (Optional)
Aluminum Door	6

Prices subject to change without notice.

# 2670 Guard-X Series - Summary

<b>Type of Device</b>		
2670		
<b>Device Finish</b>		
US28 (Anodized Aluminum)	313 (Duranodic Dark Bronze)	315 (Black)
<b>Device Length</b>		
36" to 48" Door Width		
<b>Device Handing</b>		
RHR (Right Hand Reverse)	LHR (Left Hand Reverse)	
<b>Device Options</b>		
SNB (6 - # 325 Sex Bolts recommended for Alum doors)	CYL (3216 Rim Cylinder)	
<b>Pushpad Sign</b>		
ENG (English w/Braille Standard)	FR (French)	SP (Spanish)
<b>Strike Series</b>		
LS (Less Strike)	267 (Standard)	2609 (Double Door Strike)
<b>Strike Finish</b>		
US19 (Flat Black)		
<b>Trim Options</b>		
LT (Less Trim)	210DT (Dummy Pull Trim)	230DT (Dummy Pull Trim)
<b>Trim Finish</b>		
SP28 (Laquer Sprayed Aluminum)	SP313 (Dark Bronze)	
<b>Door Thickness</b>		
1.3/4 (1-3/4" Standard)		

## 2670 Guard-X Series - Devices

Locks are priced complete with strike, screw pack, and battery.  
Rim cylinders and Sex Bolts are not included and must be ordered separately.

(Price includes 267 strike)

Model No.	Description	US28	313	315	Wt. lbs.
2670	(36" to 48" Door Width)	646	646	646	15

### 2670 Notes:

Pushpad Sign furnished in English w/Braille standard. French and Spanish language available at no additional charge.

### Accessories:

Model No.	Description	US19	SP28	SP313	US26D	US10B
PT790	9-Volt External Power Supply	187	-	-	-	-
210DT x 050140	Dummy Pull Trim and Screw Pack	-	68.50	68.50	-	-
230DT x 050140	Dummy Pull Trim and Screw Pack	-	123.50	123.50	-	-
3216	Rim Cylinder	-	-	-	92	92
2609	Double Door Strike	114	-	-	-	-
267	267 Strike Pkg	38	-	-	-	-

Prices subject to change without notice.



---

# *Accessories*

Prices subject to change without notice.

# Dummy Cross Bars / Touch Bars

## Dummy Cross Bars

4' Dummy cross bar priced complete with sex bolts.

Model No.	Description	US26D	US10B	US10	US4	US3 US26 643E SPBLK
55DU	55 series device dummy crossbar, 4'	1908	1908	2229	1796	2376
88DU	88 series device dummy crossbar, 4'	974	974	1016	817	1140

## Dummy Touch Bars

3' dummy touch bar priced complete with sex bolts.

4' add \$18 list.

Model No.	Description	US26D	US28	US32D	313	US4 US10	US3 US26 643E	315	US15
330	33A/99 series device dummy touch bar	823	681	-	703	736	823	1496	-
350	35A/98 series device dummy touch bar	823	681	868	703	736	823	1496	823

## Switch Option

Prefix	Description	List Add
RX	Request to Exit Switch. Available for 330, 350, 55DU, 88DU.	256
RX-2	Double RX - Request to Exit Switch. Available for 330, 350.	318
WP-RX	Waterproof Request to Exit - Available for 330, 350.	369
RX-AUX	Convert existing RX switch to RX-2 switch. Order part number 050271-00. Available for 330, 350	266
SS	Signal Switch. Available for 330/350. Specify handing RHR or LHR.	524

## Dummy Cross Bar and Touch Bar Notes:

**Back to Back Mounting** - available on 330, 350 when used with outside trim. Finished fasteners supplied at **\$16.00 list add**.

**Finish** - US32D available on 350 series only.

Antimicrobial coating is available in US26D (US26D-AM) and US32D-AM (350 series only) finishes, **\$70 list add**.

Prices subject to change without notice.

## Rim Strikes

Model No.	Description	Standard		Optional							Wt. lbs.
		Non Finished	US19	US26D	US32D	US4 US10 US10B	US3	US26	US32	SP28 SP313	
264	22/88/98/99, 98/9957 Panic - Optional	-	104	121	-	-	-	-	-	-	0.25
268	88 Fire - Standard	-	129	-	151	172	181	-	181	-	0.38
299	22/88/98/99, 98/9957 Panic - Standard	-	63	75	-	75	98	98	-	-	0.30
299F	22/98/99 Fire, 98/9957 Fire - Standard	-	79	-	105	123	141	-	141	-	0.30
468	HH-9954 Mullion	-	108	-	-	-	-	-	-	-	0.30
499F	22/98/99 Fire w/9954 Mullion - Standard	-	187	-	196	-	-	-	-	-	0.45
1408	Panic w/5754 Mullion - Standard	282	-	-	-	-	-	-	-	-	0.30
1409	55 Panic - Standard/22 - Optional	151	-	-	-	-	-	-	-	-	0.30
1410	Panic, Integral Stop - Optional	151	-	-	-	-	-	-	-	-	0.30
1439	33A/35A Panic - Standard/22 - Optional	-	151	-	-	-	-	-	-	-	0.30
1439F	33A/35A-F - Optional	-	158	-	-	-	-	-	-	-	-
1606	Panic, Sgl or Pr w/1654 Mullion - Optional	75	-	-	-	-	-	-	-	-	0.20
**1609	Panic - Optional	-	104	116	-	116	126	126	-	-	0.30
**1610	88 Panic, Stock HM Doors - Optional	-	104	116	-	116	126	126	-	-	0.30
699	98/9952 Roller Strike	-	118	-	-	-	-	-	-	118	0.30
267	2670 GUARD-X - Standard	-	38	-	-	-	-	-	-	-	-
2609	2670 GUARD-X, Pairs - Optional	-	114	-	-	-	-	-	-	-	-
909	XP98/99 - Standard	-	79	-	-	-	-	-	-	-	0.30
954	XP98/99 Mullion - Optional	-	187	-	-	-	-	-	-	-	0.45
050996-622	299F Strike Adapter	-	167	-	-	-	-	-	-	-	-

\*\* 1609 and 1610 must be used with coordinator. Not a UL Fire Exit Hardware listed application.

## Vertical Rod Top Strikes

150	33/3550AWDC/98/9950WDC includes shims and fasteners	44	-	-	-	-	-	-	-	-	-
249	33/3549A/98/9949 includes shims and fasteners	45	-	-	-	-	-	-	-	-	-
260U	22/33A/35A/88/98/9927/57 Panic, Flush Transom	-	104	116	-	116	141	141	-	-	0.30
260U-F	22/33A/88/98/9927/57 Fire Flush Transom	-	-	-	289	-	-	-	-	-	0.00
264	22/33A/35A/88/98/9927/57 Panic - Optional	-	104	121	-	-	-	-	-	-	0.25
266	33/3527A Panic - Standard	-	116	-	129	146	165	-	165	-	0.25
283	33A/35A/98/9947WDC, Wood Frames - specify door thickness	66	-	-	-	-	-	-	-	-	0.10
299	22/88/98/9927/57 Panic - Standard	-	63	75	-	75	98	98	-	-	0.30
299F	22/98/9927 Fire - Standard	-	79	-	105	123	141	-	141	-	0.30
338	33A/35A/98/9947 and WDC - Standard	66	-	-	-	-	-	-	-	-	0.35
499F	33/3527A/98/9927 LBR Fire, Pairs - Standard	-	187	-	196	-	-	-	-	-	0.45
471U	5547 Panic, HM Frame - Standard	63	-	-	-	-	-	-	-	-	0.10
472U	5547WDC, 1-3/4" Dr, WD Frame - Standard	-	63	65	-	67	87	87	-	-	0.10
473U	5547WDC, 2-1/4" Dr, WD Frame - Standard	-	63	65	-	67	87	87	-	-	0.10

## Vertical Rod Bottom Strikes

248L-4	22/33A/35A/98/9927, 98/9957 Panic - Standard	60	-	-	-	-	-	-	-	-	0.15
301L	55/8847 Fire - Standard	137	-	-	-	-	-	-	-	-	0.35
304L	22/33A/35A/98/9927, 98/9957 - Standard	60	-	-	-	-	-	-	-	-	0.25
349	33/3594A/98/9949 includes anchors and fasteners	26	-	-	-	-	-	-	-	-	-
* 385A	33A/35A/98/9947/48 and WDC - Standard	128	-	-	-	-	-	-	-	-	0.80
450	33/3550AWDC/98/9950WDC includes anchor and fasteners	25	-	-	-	-	-	-	-	-	-

\* The 385A is recommended over the 304L for wood door applications based on it's adjustability.

## Mortise Lock Strikes

575	55/88/98/9975 - Standard	47	-	-	66	126	143	-	143	-	0.20
575-2	55/88/99/9875, Pairs 1-3/4" Dr - Optional	47	-	-	66	126	143	-	143	-	0.20
576A	55/88/98/9975, Pairs 1-3/4" Dr - Optional	129	-	-	137	155	171	-	171	-	0.20
576B	55/88/99/9875, Pairs 2-1/4" Dr - Optional	129	-	-	137	155	171	-	171	-	0.20

Prices subject to change without notice.

# Trims

For other possible trim applications not shown, consult Von Duprin.

## 22 Series Trim

Model No.	Description	SP28 SP313	US26D US10B	Wt. lbs.
<b>STANDARD:</b>				
210DT	Dummy Trim	53	–	1.3
210NL	Night Latch	61	–	1.4
210K	Knob	239	–	1.8
230L	Lever	235	–	2.0
230TP	Thumbpiece	234	–	2.5
<b>OPTIONAL:</b>				
210K-BE	Knob, Blank Escutcheon	239	–	1.8
230EO	Exit Only Trim Plate	98	–	1.0
230DT	Dummy Trim	108	–	2.1
230NL	Night Latch	119	–	2.2
230L-BE	Lever, Blank Escutcheon	235	–	2.0
230TP-BE	Thumbpiece, Blank Escutcheon	234	–	2.5
110MD-NL	Night Latch Cylinder Assembly - HM Door	–	133	0.4
110WD-NL	Night Latch Cylinder Assembly - WD Door	–	133	0.4

## 33A/35A Series Trim

Model No.	Description	US26D	SPBLK US10B	US10	US4	US3 US15 US26 643E	Wt. lbs.
<b>STANDARD:</b>							
386DT	Dummy Trim	358	358	504	358	424	2.7
386NL	Night Latch - Specify handing	633	633	782	633	748	3.5
388	Night Latch Cylinder Trim	311	311	453	290	311	1.0
<b>OPTIONAL:</b>							
550DT	Dummy Trim - only available with 388 cyl. trim (Rim only)	528	528	528	440	543	2.0
392-6	Dummy Offset Pull	219	–	–	–	–	1.0

### 33A/35A Trim Notes:

**Finish** - Antimicrobial coating is available in US26D (US26D-AM) finish, **\$33 list add.**

Prices subject to change without notice.

For other possible trim applications not shown, consult Von Duprin.

## 55 Series Trim

Model No.	Description	US26D	US10B	US10	US4	US3 US26 SPBLK 643E	Wt. lbs.
<b>STANDARD:</b>							
550DT	Dummy Trim	528	528	528	440	543	2.0
555NL	Night Latch Trim - HM Door	778	778	789	636	798	2.0
556NL	Night Latch Trim - WD Door	778	778	789	636	798	2.0
609DT	Dummy Trim	373	373	410	311	412	2.5
110MD-NL	Night Latch Cylinder Assembly - HM Door	133	133	133	125	135	1.0
110WD-NL	Night Latch Cylinder Assembly - WD Door	133	133	133	125	135	1.0
555NL-CA	Night Latch Cylinder Assembly - HM Door	375	375	376	324	385	1.0
556NL-CA	Night Latch Cylinder Assembly - WD Door	375	375	376	324	385	1.0

## 88 Series Trim

Specify device type when ordering (example: 880TP-V)

Model No.	Description	Device Type	US26D	US10B	US10	US4	US3 US26 SPBLK 643E	Wt. lbs.
<b>STANDARD:</b>								
880EO	Exit Only Trim Plate	R or V&M	210	222	255	149	260	1.0
880DT	Dummy Trim	R, V&M or V-SA	272	291	347	211	352	2.9
880NL	Night Latch	R or M	291	314	373	224	379	2.9
880TP	Thumbpiece	R, V, or M	300	320	420	285	423	2.1
880TP-BE	Thumbpiece, Blank Escutcheon	R, V, or M	300	320	420	285	423	2.1
880K	Knob	R, V, or M	352	378	446	285	450	2.7
880K-BE	Knob, Blank Escutcheon	R, V, or M	352	378	446	285	450	2.7
880K-DT	Knob, Dummy	R, V, or M	352	378	446	285	450	2.7
880K-NL	Knob, Night Latch	R only	352	378	446	285	450	2.7
<b>OPTIONAL:</b>								
608DT	Dummy Trim	-	382	382	466	300	471	2.5
608NL	Night Latch	R or M	382	382	466	300	471	2.5
608TP	Thumbpiece	R, V or M	411	411	502	320	503	2.9
608TP-BE	Thumbpiece, Blank Escutcheon	R or M&V	411	411	502	320	503	2.8
606K	Knob	-	427	427	454	353	458	2.4
606K-BE	Knob, Blank Escutcheon	-	427	427	454	353	458	2.4
606K-DT	Knob, Dummy	-	427	427	454	353	458	2.4

### 55/88 Trim Notes:

**880 Trim** - when used with 88-F Rim devices on wood or composite doors use trim suffix "WDF" (no additional charge) ex. 880WDF-EO

Prices subject to change without notice.

# Trims (continued)

For other possible trim applications not shown, consult Von Duprin.

## 98/99 Series Trim

Specify device type when ordering (example: 990TP-R)

Model No.	Description	Device Type	US26D	SP313 US10B	*US19 SPBLK	US10	US4	US3 US15 US26 643E	Weight lbs.
<b>STANDARD:</b>									
990EO	Exit Only Trim Plate	–	169	175	175	219	145	198	1.1
990EO-w/CH	<b>Exit Only with Cylinder Hole</b>	-	193	202	202	251	168	227	
990DT	Dummy Trim	–	262	281	281	281	211	293	2.8
990NL	Night Latch	R&V or M	281	289	289	293	229	300	2.9
990TP	Thumbpiece	R&V or M	375	386	386	373	310	404	2.1
990TP-BE	Thumbpiece, Blank Escutcheon	R&V or M	375	386	386	373	310	404	2.1
996K	Knob	R&V or M	450	474	474	538	394	576	4.1
996K-BE	Knob, Blank Escutcheon	R&V or M	450	474	474	538	394	576	4.1
996K-DT	Knob, Dummy	–	439	457	457	521	386	553	4.1
996K-NL	Knob, Night Latch	R&V or M	439	457	457	521	386	553	4.1
110MD-NL	Night Latch Cyl. Assy, MD Dr	–	133	133	135	133	125	135	0.4
110WD-NL	Night Latch Cyl. Assy, WD Dr	–	133	133	135	133	125	135	0.4

\* US19 available on 996, 696, and 697 trims.

### OPTIONAL:

696DT	Dummy Trim	–	406	406	406	388	316	450	2.5
696NL	Night Latch	R&V or M	439	439	439	423	352	478	2.5
696TP	Thumbpiece	R&V or M	497	472	472	493	399	572	2.9
696TP-BE	Thumbpiece, Blank Escutcheon	R&V or M	497	472	472	493	399	572	2.9
697DT	Dummy Trim	–	406	406	406	388	316	450	2.5
697NL	Night Latch	R&V or M	439	439	439	423	352	478	2.5
697TP	Thumbpiece	R&V or M	497	472	472	493	399	572	2.9
697TP-BE	Thumbpiece, Blank Escutcheon	R&V or M	497	472	472	493	399	572	2.9
996EO	Exit Only Trim Plate	R&V or M	347	357	357	404	342	423	–
392-7	Dummy Wire Pull	–	239	–	–	–	–	–	1.0

### 696/697 Trim Notes:

**Wood or Composite Fire Labeled Doors** - when using 696/697 trims with 98/99-F Rim Fire devices use trim suffix "WDF", ex. 696WDF  
No additional charge.

## Anti-Microbial Finish

Suffix	List Add
AM	Antimicrobial Coating available in US26D, use suffix-AM when ordering. Example US26D-AM
	33

## Door Thickness >2-1/4" - 4 1/4"

Suffix	List Add
Door Thickness > 2-1/4" - <= 4 1/4"	110NL-MD or 110NL-WD
	92

Prices subject to change without notice.

For other possible trim applications not shown, consult Von Duprin.

## 98/99 Series Trim

Specify device type when ordering (example: 996L-R)

Model No.	Description	Device Type	US26D	*US32 *US32D	SP313 US10B	US19 SPBLK	US10	US4	US3 US15 US26 643E	Weight lbs.
<b>Lever Trim with Standard Lever Designs</b>										
996L	Lever	R&V or M	607	730	623	623	633	570	708	3.8
996L-BE	Lever, Blank Escutcheon	R&V or M	607	730	623	623	633	570	708	3.8
996L-DT	Lever, Dummy	-	472	587	488	488	543	464	565	3.8
996L-NL	Lever, Night Latch	R&V or M	472	587	488	488	543	464	565	3.8

\* US32D lever furnished with US15 trim plate. US32 lever furnished with US26 trim plate. Please see stainless steel lever designs below.

### Lever Trim with M Collection Lever Designs

996L	Lever	R&V or M	728	728	728	728	728	728	728	3.8
996L-BE	Lever, Blank Escutcheon	R&V or M	728	728	728	728	728	728	728	3.8
996L-DT	Lever, Dummy	-	585	585	585	585	585	585	585	3.8
996L-NL	Lever, Night Latch	R&V or M	585	585	585	585	585	585	585	3.8

\* US32D lever furnished with US15 trim plate. US32 lever furnished with US26 trim plate.

## Lever Designs

Suffix	Description	List Add
<b>Standard</b>	06 Lever Design - furnished standard. Optional Lever Designs - 01, 02, 03, 05, 07,12,16,17,18, Accent (ACC), Asti (AST), Merano (MER), Latitude (LAT), Longitude (LON) *Stainless Steel Levers - 03-SS, 06-SS, 17-SS, Latitude-SS (LAT-SS), Longitude-SS (LON-SS) are available in US32D or US32.	
<b>M Collection</b>	M51, M52, M53, M54, M55, M56, M57, M61, M62, M63, M81, M82, M83, M84, M85, ME1, ME2, ME3. *Stainless Steel Levers - M57 and M62 lever designs available in stainless steel only.	
<b>Handing</b>	Field reversible and furnished RHR if not specified on all lever designs except 12, AST, MER, ACC, M61, M62, M63, M85. Specify handing RHR or LHR for lever designs 12, AST, MER, ACC, M61, M62, M63, M85, ME1, ME2.	

## Knurled Lever

Suffix	Description	List Add
<b>KN</b>	Available standard on 02, 03, 06, 07, 17 lever ME1, ME2, and ME3 designs. Specify suffix KN (06-KN). Available for special order on M51, M52, and M81 lever designs. Specify suffix KN (M51-KN).	108 164

## Anti-Microbial Finish

Suffix	Description	List Add
<b>AM</b>	Antimicrobial Coating available in US26D, use suffix-AM when ordering. Example US26D-AM	33

## Electric Unlocking

Prefix	Description	List Add
<b>E996</b>	Electric Unlocking of outside E996 Trim - for 98/99 rim, mortise, surface vertical and concealed vertical devices. Available with L or LBE functions only. Specify handing. Available standard in 12 or 24 VDC, Fail Safe (FS) and Fail Secure (FSE). Can also be converted in the field. <b>RETROFIT KITS FOR EXISTING 996L TRIM (for 24 VDC)</b>	671
	996 R/V/C Conversion to E Kit	747
	996 Mort Conversion to E Kit	776
<b>M996</b>	<b>Motor Driven Electric Unlocking of outside M996 Trim</b> - for 98/99 rim, mortise, surface vertical and concealed vertical devices. Available with L or LBE functions only. Specify handing. Dual voltage - works with either 12 or 24 VDC power supplies, furnished Fail Safe (FS) but can be converted in the field with dip switch without mechanical conversion. <b>See Page 93 for pricing and optional lever designs.</b> <b>RETROFIT KITS FOR EXISTING 996L TRIM</b>	640
	996 R/V/C Conversion to Motorized Kit	712
	996 Mort Conversion to Motorized Kit	740

## Switch

Prefix	Description	List Add
<b>RX</b>	Request to exit 996L option available for use with 98/99 rim, mortise, surface and concealed devices. Specify trim "RX996"	256

## Connectors

Suffix	Description	List Add
<b>CON</b>	Cross-category solution using common interconnect components for electrified options. Available with E996 and M996 trim.	N/C

## Quiet Mechanical

Prefix	Description	List Add
<b>QM</b>	Controls motion to reduce operational noise. The QM trim option provides damper-controlled lever return. Available on 996L/LBE - R/V/M. Not available with E996, M996, and RX996.	185

Prices subject to change without notice.

# Trims (continued)

For other possible trim applications not shown, consult Von Duprin.

## 94/95 Series Controls

Model No.	Description	US26D	US10B SP313 SPBLK	US10	US4	US3 US26 643E
<b>Lever Control with Standard Lever Designs</b>						
940L**	Lever	695	715	746	695	781
940L-BE	Lever, Blank Escutcheon	695	715	746	695	781
940L-DT	Lever, Dummy	782	806	830	782	830
<b>Lever Control with M Collection Lever Designs</b>						
940L**	Lever	800	800	800	800	800
940L-BE	Lever, Blank Escutcheon	800	800	800	800	800
940L-DT	Lever, Dummy	849	849	849	849	849

\*\*L-NL function is obtained with field conversion of L function.

## Lever Designs

Suffix	
<b>Standard</b>	06 Lever Design - furnished standard. Optional Lever Designs - 01, 02, 03, 05, 07,12,16,17,18, Accent (ACC), Asti (AST), Merano (MER), Latitude (LAT), Longitude (LON) *Stainless Steel Levers - 03-SS, 06-SS, 17-SS, Latitude-SS (LAT-SS), Longitude-SS (LON-SS) are available in US32D or US32 through special order.
<b>M Collection</b>	M51, M52, M53, M54, M55, M56, M57, M61, M62, M63, M81, M82, M83, M84, M85, ME1, ME2, ME3. *Stainless Steel Levers - M57 and M62 lever designs available in stainless steel only.
<b>Handing</b>	Field reversible and furnished RHR if not specified on all lever designs except 12, AST, MER, ACC, M61, M62, M63, M85. Specify handing RHR or LHR for lever designs 12, AST, MER, ACC, M61, M62, M63, M85, ME1, ME2.

## Knurled Lever

Suffix		List Add
<b>KN</b>	Available standard on 02, 03, 06, 07, 17, ME1, ME2, and ME3 lever designs. Specify suffix KN (06-KN).	108
	Available for special order on M51, M52, and M81 lever designs. Specify suffix KN (M51-KN).	164

## Anti-Microbial Finish

Suffix		List Add
<b>AM</b>	Antimicrobial Coating available in US26D, use suffix-AM when ordering. Example US26D-AM	33

Prices subject to change without notice.



## 360 Series

Model No.	Description	US10B US26D SPBLK	*US32 *US32D	US10	US4	US3 US26 643E	US15	Weight lbs.
<b>Lever Trim with Standard Lever Designs</b>								
<b>360L**</b>	Lever, Key unlocks - 33/35A Rim, 33/3527A, 33/3547A	727	810	764	630	788	788	3
<b>360L-BE</b>	Lever, Blank Escutcheon - 33/35A Rim, 33/3527A, 33/3547A	691	766	735	581	745	745	5
<b>360L-DT</b>	Lever, Dummy - 33/35A Rim, 33/3527A, 33/3547A	671	746	709	571	727	727	5
<b>Lever Trim with M Collection Lever Designs</b>								
<b>360L**</b>	Lever, Key unlocks - 33/35A Rim, 33/3527A, 33/3547A	808	808	808	808	808	808	3
<b>360L-BE</b>	Lever, Blank Escutcheon - 33/35A Rim, 33/3527A, 33/3547A	764	764	764	764	764	764	5
<b>360L-DT</b>	Lever, Dummy - 33/35A Rim, 33/3527A, 33/3547A	745	745	745	745	745	745	5

Finish - \*US32D lever furnished with US15 trim plate. US32 lever furnished with US26 trim plate.  
US15 control trim for use on 35A series device only.

\*\*L function is field-convertible to L-NL.

## Standard Lever Designs

Suffix	Description
<b>Standard</b>	O6 (furnished standard when lever design is not specified)
<b>Optional-360</b>	O1, O2, O3, *O3-SS, O5, *O6-SS, O7, O12, O16, O17, *O17-SS, O18, Accent (ACC), Asti (AST), Merano (MER), Latitude (LAT), *LAT-SS, Longitude (LON), *LON-SS.
<b>Optional-E360</b>	O1, O2, O3, O5, O7, O12, O16, O17, Latitude (LAT).
<b>Optional **Special Order-E360</b>	*O3-SS, *O6-SS, *O17-SS, O18, Accent (ACC), Asti (AST), *LAT-SS, Longitude (LON), *LON-SS, Merano (MER).
<b>Optional **Special Order-643E Finish</b>	O18, Accent (ACC), Asti (AST), Merano (MER).

## M Collection Lever Designs

Suffix	Description
<b>Optional-360</b>	M51, M52, M53, M54, M55, M56, *M57, M61, *M62, M63, M81, M82, M83, M84, M85, ME1, ME2, ME3
<b>Optional -E360</b>	M51, M52, M53, M54, M55, M56, *M57, M61, *M62, M63, M81, M82, M83, M84, M85, ME1, ME2, ME3,
<b>Optional **Special Order-643E Finish</b>	M51, M52, M53, M54, M55, M56, *M57, M61, *M62, M63, M81, M82, M83, M84, M85.

\*Stainless Steel Levers (SS) - are available in US32D or US32. US15 control trim for use on 35A series device only.

\*\*Consult factory for lead time.

<b>Handing</b>	Handing is field reversible and furnished RHR if not specified on all lever designs except O2, AST, MER, ACC, M61, M62, M63, M85. Specify handing RHR or LHR for lever designs O2, AST, MER, ACC, M61, M62, M63, M85, ME1, ME2
----------------	--

## Knurled Lever

Suffix		List Add
<b>KN</b>	Available standard on O3, O6, ME1, ME2, and ME3 lever designs. Specify suffix KN (O6-KN).	108
	Available for special order on O2, O17, M51, M52, and M81 lever designs. Specify suffix KN (O2-KN). Consult factory for lead time.	164

## Anti-Microbial Finish

Suffix		List Add
<b>AM</b>	<b>US26D-AM</b> - Antimicrobial Coating on US26D finish available standard.	33
	<b>US32D-AM</b> - Antimicrobial Coating on US32D finish available for special order on lever designs O3-SS, O6-SS, O17-SS, LAT-SS, LON-SS, M57, M62.	33

## Solid Wood or Composite Doors

Suffix		List Add
<b>33-WDA</b>	Required when used on solid wood or composite doors.	54

## Electric Unlocking

Prefix		List Add
<b>E</b>	Electric Unlocking of outside trim for use on all device types except mortise lock devices. Must be furnished LBE functions only. <b>Specify handing.</b> Prefix trim "E" (example E360). Specify Fail Safe (FS) or Fail Secure (FSE). 24VDC furnished standard, 12VDC available through special order. Consult factory for lead time.	636

Prices subject to change without notice.

# Control Trims

## 370 Series

Model No.	Description	US10B			US3		Weight lbs.
		US26D SPBLK	US10	US4	US26 643E	US15	
371L	Lever, Key unlocks - 5547/8847-F	754	846	648	816	-	5
371L-BE	Lever, Blank Escutcheon - 5547/8847-F	717	764	608	775	-	5
373L	Lever, Key unlocks - 88 Rim, 8827/8875	693	597	597	816	-	3
373L-BE	Lever, Blank Escutcheon - 88 Rim, 8827/8875	658	561	561	775	-	5
373L-DT	Lever, Dummy - 88 Rim, 8827/8875	641	538	538	754	-	4
375L	Lever, Key unlocks - 5575	894	1027	792	1019	-	4
375L-BE	Lever, Blank Escutcheon - 5575	857	992	750	974	-	6
375L-DT	Lever, Dummy - 5575	837	973	735	959	-	5
376L	Lever, Key unlocks - 5547	903	903	798	963	-	
376L-BE	Lever, Blank Escutcheon - 5547/8847-F	868	868	762	929	-	
376WDC-L	Lever, WD - Key unlocks - 5547WDC	903	903	798	963	-	
376WDC-L-BE	Lever, WD, Blank Escutcheon - 5547WDC	868	868	762	929	-	
378L	Lever, Key Unlocks - 237	754	796	648	816	-	5
378L-BE	Lever, Blank Escutcheon - 237	717	764	608	775	-	5
379L	Lever, Key Unlocks - 55 Rim	904	811	811	1027	-	
379L-BE	Lever, Blank Escutcheon - 55 Rim	869	781	781	984	-	

## Lever Designs

Suffix	Description
Standard	06 (furnished standard when lever design is not specified)
Optional	01, 02, 03, 07, 12, 16, 17
Optional * Special Order	05, 18, AST1
*Consult factory for lead time.	
Handing	Requires handing, specify RHR or LHR.

## Knurled Lever

Suffix	List Add
KN	Available standard on 02, 03, 06, 07, and 17 lever designs. Specify suffix KN (06-KN). 108

## Anti-Microbial Finish

Suffix	List Add
AM	Antimicrobial Coating available in US26D, use suffix-AM when ordering. Example US26D-AM 33

## Solid Wood or Composite Doors

Suffix	List Add
10WDA	Required when used on solid wood or composite doors. 54

## Electric Unlocking

Prefix	List Add
E	Electric Unlocking of outside trim for use on all device types except mortise lock devices. Available for 373. For all other 370 Controls, available through special order. Must be furnished LBE functions only. <b>Specify handing.</b> Prefix trim "E" (example E373). Specify Fail Safe (FS) or Fail Secure (FSE). 24VDC furnished standard, 12VDC available through special order. Consult factory for lead time. 636

Prices subject to change without notice.

# Cylinder Controls

## Thumbturns

Model No.	Description	US10B US26D SPBLK	US10	US4	US3 US26 643E	US15	Weight lbs.
<b>360T</b>	Thumbturn - 33/35A Rim	754	796	648	816	816	4
<b>360T-BE</b>	Thumbturn, Blank Escutcheon - 33/35A Rim	717	764	608	775	775	4
<b>374T</b>	Thumbturn - 33/3527A, 98/9927	754	796	648	816	816	5
<b>374T-BE</b>	Thumbturn, Blank Escutcheon - 33/3527A, 98/9927	717	764	608	775	775	5
<b>376T</b>	Thumbturn - 33/3547A, 5547, 8847	754	796	648	816	816	4
<b>376T-BE</b>	Thumbturn, Blank Escutcheon - 33/3547A, 5547, 8847	717	764	608	775	775	4
<b>376WDC-T</b>	Thumbturn, WD - 33A/35A/55/98/9947WDC	754	796	648	816	816	4
<b>376WDC-T-BE</b>	Thumbturn, Blank Escut., WD - 33A/35A/55/98/9947WDC	717	764	608	775	775	4
<b>377T</b>	Thumbturn - 8827, WS98/9927	754	796	648	816	-	4
<b>377T-BE</b>	Thumbturn, Blank Escutcheon - 8827	717	764	608	775	-	4

## Anti-Microbial Finish

Suffix	List Add
<b>AM</b> Antimicrobial Coating available in US26D, use suffix-AM when ordering. Example US26D-AM	33

## Solid Wood or Composite Doors

Suffix	List Add
<b>10WDA</b> Required with 370 series lever control trim when used on solid wood or composite doors.	54
<b>33-WDA</b> Required with 360 series lever control trim when used on solid wood or composite doors.	54

## Electric Unlocking

Prefix	List Add
<b>E</b> E360/E370 Cylinder Controls - Electric Unlocking of outside trim for use on all vertical device types. Must be furnished T-BE or TL-BE functions only. Specify Fail Safe (FS) and Fail Secure (FSE). 24VDC furnished. Consult factory for lead time. standard, 12VDC available through special order.	636

## Blank Plates

Model No.	Description	US10B US26D SPBLK	US10	US4	US3 US26 643E	US15
<b>360EO</b>	Blank Plate - 33A/35A Rim, 33/3527A, 33/3547A	352	369	303	380	380
<b>373EO</b>	Blank Plate - 88, 8827, 8875	352	369	303	380	-
<b>374EO</b>	Blank Plate - 33/3527A, 98/9927	352	369	303	380	380
<b>376EO</b>	Blank Plate - 3347, 8847	352	369	303	380	380

Prices subject to change without notice.

# Cover Plates

Model No.	Description	SP28 SP313	US10B US26D	US32D	US10	US4	US3 SPBLK US26 US15 US19
10WDA	370 Series Controls on Wood Doors	—	54	—	54	54	54
33A-WDA	360 Series Controls on Wood Doors	—	54	—	54	54	54
5547WDC	5547WDC Scalp Plate	—	164	164	169	164	172
9947WDC	9947WDC Scalp Plate	—	66	41	66	66	128
50WDC	33A/35A/98/9950WDC Cover Plate	66	—	66	66	66	66
229	22 Rim Device	107	—	—	—	—	—
589	5575 Device on Wood Doors	—	163	—	220	190	204
882	88 Rim Device	—	160	—	—	138	178
887	88 Rim/8827 Pairs with ANSI 161 door cutout	—	160	—	—	138	—
888	8875 or 8827 with ANSI 161 door cutout	—	160	—	—	138	—
889	373L Control with Sexbolts - specify device type R, M or V	—	240	—	244	229	253
997	98/99 Rim Device	107	—	—	107	107	—
998	994L Trim retrofit Plate	—	97	—	76	76	125

# Cylinders

Model No.	Description	US4 US10 US10B US26D	Weight lbs.
3215	Mortise 1-1/4" - 20-001 XQ11-949	92	0.7
3216	Rim	92	0.6

Note: Custom keying is not available

# Glass Bead Kits

Model No.	Description	Sprayed finish to Match US4, US10, US19, SP28, SP313	Wt. lbs.
98/99GBK-R/M	1/4" 98/99 Rim/Mortise	71	2.2
98/99GBK-CV	1/4" 98/99 Concealed Vertical	71	2.2
98/99GBK-CV-WDC	1/4" 98/99 Concealed Vertical for Wood Doors	71	
98/99GBK-SV	1/4" 98/99 Surface Vertical	101	2.4
98/99GBK-R-499F	1/4" 98/99 Rim used with 499-F Strike	101	3.6
XP98/99GBK-R/M	1/4" XP98/99 Rim/Mortise	114	
XP98/999GBK-R-954	1/4" XP98/99 Rim used with 954 Strike	114	
33A/35A-GBK-R	1/4" 33A/35A Rim	71	
33A/35A-GBK-SV	1/4" 33A/35A Surface Vertical	101	
33A/35A-GBK-CV	1/4" 33A/35A Concealed Vertical	71	
22GBK-R	1/4" 22 Rim	71	2.2
22GBK-SV	1/4" 22 Surface Vertical	101	2.4
22GBK-R-499F	1/4" 22 Rim used with 499-F Strike	101	3.6

Prices subject to change without notice.

Von Duprin Mullions are furnished for flat sills.  
 Strikes are not included except where indicated.  
 When required, strikes should be ordered with devices.

## Steel Mullions

Model No.	Description	With KR option		SP28 SP313	Weight lbs.
		For Openings Up To:	For Openings Up To:		
1654	Prepped for two 1606 Strikes - If 1606 strikes are not specified on your order, two 1606 strikes will be added per mullion. Each 1606 strike is <b>\$75 list</b> .	7' 2"	7' 6"	614	28
		8' 2"	8' 6"	664	33
		10' 2"	10' 6"	768	41
4754	Prepped for two 4263 Monitor Strikes	7' 2"	7' 6"	850	30
		8' 2"	8' 6"	899	35
		10' 2"	10' 6"	997	43
4854	Prepped for one 299 strike and one 6111 Electric Strike. Advise Handing of Electric Strike Prep.	7' 2"	7' 6"	850	30
		8' 2"	8' 6"	899	35
		10' 2"	10' 6"	997	43
4954	Prepped for two 299 Strikes	7' 2"	7' 6"	614	28
		8' 2"	8' 6"	664	33
		10' 2"	10' 6"	768	41
4954-XP	Prepped for two 909 Strikes, for the XP device.	7' 2"	7' 6"	614	28
		8' 2"	8' 6"	664	33
		10' 2"	10' 6"	768	41
* 9854	Prepped for one 499F and one 6111 Electric Strike or one 268 Strike and one 6111 Electric Strike. <b>Advise handing of Electric Strike Prep.</b>	7' 3"	7' 5"	1186	32
		8' 3"	8' 5"	1235	40
		10' 3"	10' 5"	1337	48
* 9954	Prepped for two 499F or 268 Strikes	7' 3"	7' 5"	953	33
		8' 3"	8' 5"	1001	38
		10' 3"	10' 5"	1101	46
9954-XP	Prepped for two 954 Strikes, for the XP device.	7' 3"	7' 5"	953	33
		8' 3"	8' 5"	1001	38
		10' 3"	10' 5"	1101	46
HH9954	Hurricane impact-rated Mullion, with two 468 strike	8'0"		1681	

\* When used with 22, 98 or 99 Series Rim Devices and 499F strikes are not ordered with devices, two 499F strikes per 9954 and one per 9854 will be added. Each 499F strike is **\$187 list**.

## Aluminum Mullions

Furnished with Stabilizers and Weatherstripping

Model No.	Description	For Openings Up To:	US4, US10		Weight lbs.
			US28 313	315	
5654	Prepped for two 299 Strikes	7' 2"	1424	1711	17
		8' 2"	1523	1809	20
		10' 2"	1809	2140	25
5654-XP	Prepped for two 909 Strikes, for the XP device.	7' 2"	1424	1711	17
		8' 2"	1523	1809	20
		10' 2"	1809	2140	25
5754	Prepped for a 1408 Double Strike Price includes strike. Note: If 5754 is ordered w/device - Specify device L/strike	7' 2"	1708	1995	17
		8' 2"	1800	2091	20
		10' 2"	1995	2097	25

### REFERENCE NOTES:

Mullions are furnished standard for 7'0 doors when door height is not specified.

**Blank Mullions** (without strike preparation) are available at the same price as standard Mullions.

The 9854 and 9954 are U.L. Fire approved for heights up to 8'0" with 22-F and 88-F Rim Device. For door heights over 8'0" mullion is furnished less U.L. label.

The 9854 and 9954 are U.L. Fire approved for heights up to 10'0" with 98/99-F Rim Device. For door heights over 10'0" mullion is furnished less U.L. label.

ADA centerline height of 37" is available at no additional charge, must be specified.

**Special Centerlines** (other than 39-11/16") or **Special Length** mullions, see page 18 for pricing.

Prices subject to change without notice.

# Mullions (continued)

## Steel Mullion Options and Accessories

SP28  
SP313

Model No.	Description	
KR	Keyed Removable option - Prefix Mullion model with "KR"	
	KR1654/4954 List Add to Mullion price	515
	KR98/9954/4754/4854 List Add to Mullion price	567
KR54	Keyed Removable Kit for 1654 and 4954 Mullions	515
KR54-F	Keyed Removable Kit for 98/9954/4754/4854 Mullion	567
MT54	Wall Mounted Storage Kit "specify part number 050581"	164
154	Mullion Stabilizers (set of four, 2 attaches to the mullion and 2 to the door)	100

## Aluminum Mullion Accessories

Part Number  
All  
Finishes

Mullion Angle Bracket - For Narrow Transom Bars	050092-00	60
---	-----------	----

## Rod and Latch Guard

For use with all Von Duprin Surface Vertical rod devices.  
Specify Handing.

Model No.	Description	Part Number	US32D
RG-27	Rod and Latch Guard	050061-32 (RHR), 050062-32 (LHR)	480
RG-27-3	Rod and Latch Guard Extended 3' Door	050261-32 (RHR), 050262-32 (LHR)	998
RG-27-4	Rod And Latch Guard Extended 4' Door	050263-32 (RHR), 050264-32 (LHR)	1292
RGO	Rod Guard Only	050066-32 (NON-HANDED)	299
LGO	Latch Guard Only	050067-32 (RHR), 050068-32 (LHR)	175
LGO-3	Latch Guard Only Extended 3' Door	050265-32 (RHR), 050266-32 (LHR)	712
LGO-4	Latch Guard Only Extended 4' Door	050267-32 (RHR), 050268-32 (LHR)	998
WS-LGO-3	Latch Guard <b>Only Extended</b> , Windstorm, 3'		1133
WS-LGO-4	Latch Guard <b>Only Extended</b> , Windstorm, 4'		1339

## Mortise Locks

For panic and fire-rated mortise lock devices

Model No.	Description	US32D	US3, US4, US19, US10, US10B, US32	Weight lbs.
7500	Standard Mortise Lock	681	702	3.5
7500-2	Double Cylinder Mortise Lock	889	910	3.5
7500-IN	INPACT Device Mortise Lock	846	868	3.5

Prices subject to change without notice.

# 237 Two Point Latch

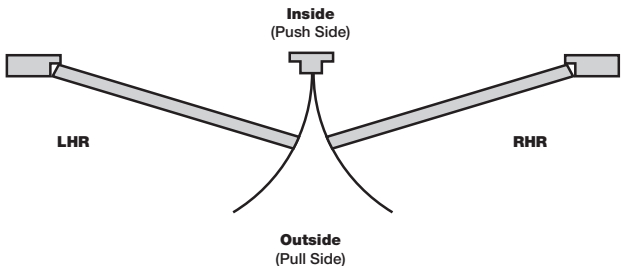
**Price includes 304L Strike. Cylinders are not included.**  
**Can not be used on doors requiring panic or fire exit hardware.**

**UL Listing:** Two-and Three-point Locks and Latches (for Fire Doors) – UL 10 C.  
 Rating: 3HR Pairs (Double Egress), 90 Min. Pairs (Swing Same Direction), Door Size: 8'0 x 8'0 Pairs (Hollow Metal only)  
**Windstorm Rating: UL–FEMA 320 and 361** certified: 4'0 x 8'0 Single Doors (Non-fire-rated) Hollow Metal,  
 8'0 x 8'0 Pairs Hollow Metal. **UL –ANSI/ICC 500** certified for F5 Tornado applications.  
 These products are listed with Steelcraft PW14 Series door for Tornado Listings.

## Outswing Door (RHR and LHR)

Function	Model No.	Push	Pull	US10B	US10	US4	US3
				US26D	US10	US4	US26
Exit Only	237EO	237 BE	None	2836	2836	2722	2900
Class room	237L	237 BE	378 w/cyl	3587	3631	3372	3717
Passage	237L-BE	237 BE	378 BE	3551	3600	3327	3674
Storeroom	237L-NL	237 BE	378 NL	3587	3631	3372	3717

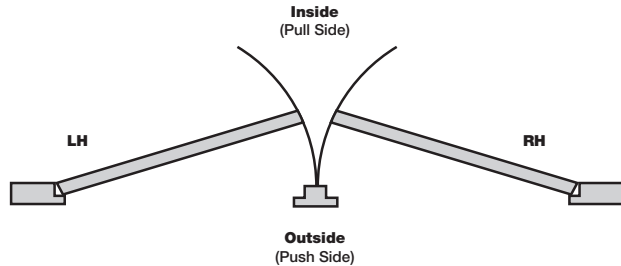
- Windstorm-rated 237 outswing only
- If cylinder is required on push side, add suffix "C" to model #. (e.g. 237EO-C)
- Cylinder (mortise 3215) not included in pricing.
- The #06 Lever is furnished standard.
- Optional lever designs, #03 and #17 are available at no additional charge



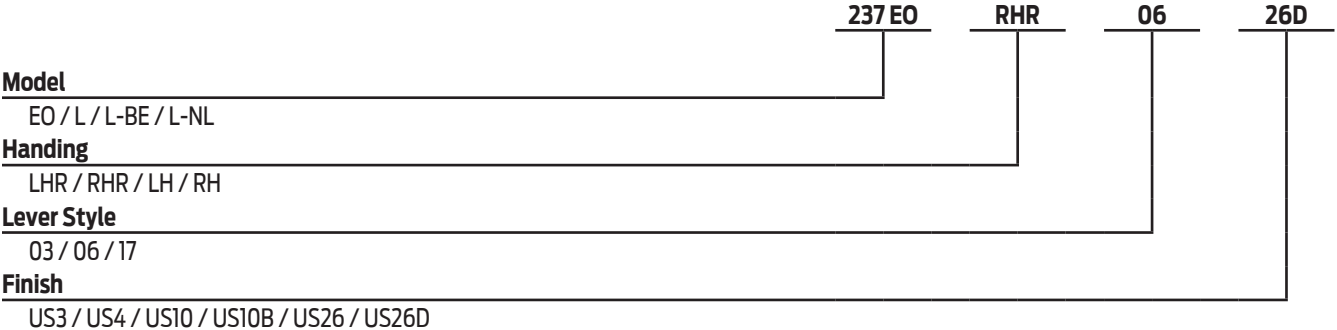
## Inswing Door (RH and LH)

Function	Model No.	Push	Pull	US10B	US10	US4	US3
				US26D	US10	US4	US26
Exit Only	237EO	None	237 BE	2836	2836	2722	2900
Class room	237L	378 w/cyl	237 BE	3587	3631	3372	3717
Passage	237L-BE	378 BE	237 BE	3551	3600	3327	3674
Storeroom	237L-NL	378-NL	237 BE	3587	3631	3372	3717

- Windstorm-rated 237 outswing only
- If cylinder is required on pull side, add suffix "C" to model #. (e.g. 237EO-C)
- Cylinder (mortise 3215) not included in pricing.
- The #06 Lever is furnished standard.
- Optional lever designs, #03 and #17 are available at no additional charge.



### How to order:



Prices subject to change without notice.

# Extension Rod Kits

Model	Description	List Price All Finishes
ER-12-88	12" Extension Rod for 8827	30
ER-24-88	24" Extension Rod for 8827	30
ER-36-22/33A/99	36" Extension Rod for 2227, 3327A, 3527A, 9827, 9857, 9927, 9957	30
ER-12-WS	12" Extension Rod for WS98/9927	30
ER-ADJ10-55/88	Adjustable Extension Rod, over 8' up to 10' for 5547, 5547WDC, 8847	30
ER-ADJ10-33A/99	Adjustable Extension Rod, 8'4" - 10' for 3347A, 3348A, 3547A, 3548A, 9847, 9847WDC, 9848, 9947, 9947WDC, 9948	30
ER-ADJ9.8-94	Adjustable Extension Rod, over 8' up to 9'8" for 9447, 9547	30
		30

## Extension Rod Kits (for non-standard door heights)

Fire rated devices over 8' may be provided less UL label based on the door application.

Caution: Other special door and frame conditions may require additional charges. Consult factory

Model	Description	UnFinished	US15	313	US10	US4	US3	315	643E
			US26D	US10B			US26		SPBLK
ER-36-88	36" Extension Rod for 8827	—	92	140	103	88	314	—	314
ER-48-88	48" Extension Rod for 8827	—	107	156	125	103	330	—	330
ER-60-33A	60" Extension Rod for 3327A, 3527A	—	278	278	322	314	335	335	—
ER-60-99	60" Extension Rod for 9827, 9857, 9927, 9957	—	143	143	266	175	280	280	—
ER-ADJ11.8-33A/99	Adjustable Extension Rod, 10' - 11'8" for 3347A, 3547A, 9847, 9847WDC, 9848, 9947, 9947WDC, 9948	99	—	—	—	—	—	—	—
ER-ADJ13.4-33A/99	Adjustable Extension Rod 11'8" - 13'4" for 3347A, 3547A, 9847, 9847WDC, 9848, 9947, 9947WDC, 9948	111	—	—	—	—	—	—	—
ER-ADJ15-33A/99	Adjustable Extension Rod, 13'4" - 15' for 3347A, 3547A, 9847, 9847WDC, 9848, 9947, 9947WDC, 9948	111	—	—	—	—	—	—	—
ER-ADJ12-5547	Adjustable Extension Rod 10' - 12' for 5547	98	—	—	—	—	—	—	—
ER-ADJ14-5547	Adjustable Extension Rod 12' - 14' for 5547	98	—	—	—	—	—	—	—
ER-ADJ16-5547	Adjustable Extension Rod, 14' - 16' for 5547	98	—	—	—	—	—	—	—
ER-ADJ12-5547WDC	Adjustable Extension Rod 10' - 12' for 5547WDC	215	—	—	—	—	—	—	—
ER-ADJ14-5547WDC	Adjustable Extension Rod 12' - 14' for 5547WDC	215	—	—	—	—	—	—	—
ER-ADJ16-5547WDC	Adjustable Extension Rod, 14' - 16' for 5547WDC	215	—	—	—	—	—	—	—
ER-ADJ12-5547F	Adjustable Extension Rod 10' - 12' for 5547-F, 8847-F	207	—	—	—	—	—	—	—
ER-ADJ14-5547F	Adjustable Extension Rod 12' - 14' for 5547-F, 8847-F	207	—	—	—	—	—	—	—
ER-ADJ16-5547F	Adjustable Extension Rod, 14' - 16' for 5547-F, 8847-F	207	—	—	—	—	—	—	—

## One Piece Top Rod Kits

Fire rated devices over 8' may be provided less UL label based on the door application.

Caution: Other special door and frame conditions may require additional charges. Consult factory.

Model	Description	US26D	313	US10	US4	US3	315	SPBLK
						US26		
OP-8-88	8 - for door heights up to 8' for 8827	138	197	213	213	427	—	427
OP-8-99	8 - for door heights up to 8' for 9827, 9857, 9927, 9957	239	239	152	121	239	239	—
OP-10-99	10' - for door heights up to 10' for 9827, 9857, 9927, 9957	264	264	167	146	259	259	—
OP-12-99	12 - for door heights up to 12' for 9827, 9857, 9927, 9957	280	280	185	172	290	290	—

Prices subject to change without notice.



# Security Screw Packages

Security Screws are pin-in-socket type and require special hex wrenches

	All Finishes	Wrench Model# Required
<b>Devices</b>		
22/22-F Rim	16	2
2227/2227-F	55	2
33A/35A Rim	28	2
33A/3527A	73	2
33/3547A/47A-F	40	2
88/88-F Rim/8875/75-F	46	2
8827	71	2
8827-F	105	2
8847-F	56	2
98/99/99-F/98-F Rim/98/9975/75-F	56	2
98/9927/27-F	66	2
98/9947/47-F and WDC	54	2

<b>Trims and Controls</b>		
230/880/990	14	2
230/990x330/350	46	2
386/360L-DTx330/350	22	2
371/373	31	2
374/376/377	14	2
696/697	13	2
696/697x330/350	28	2

<b>Mechanical Strikes</b>		
1439/1606/248L-4/264/266/299/299F	14	2
1408	26	2
268	23	2
338	12	2
385A	10	2
499F	41	2
575/576	13	2

<b>Other Mechanical Products</b>		
330/350 Pushbar	28	2
1654/4954 Mullion	39	2
5654/5754 Mullion	21	2
9954 Mullion	91	2, 4
154 Mullion Stabilizer	32	2
7500 Lock	13	2

<b>Electrical Products</b>		
4263/4570/4582/4690 Monitor Strike	13	2
4570/4690 Monitor Strike	13	2
4670 Monitor Strike	13	2
6211-16/6222-26 Electric Strike	12	2
EPT	66	2

**Wrenches** (One set of required wrenches charged per order unless specified otherwise)

Model No.	Description	Part Number	List Each
#1	1/8" Hex - #6 Screw	010060-00	21
#2	5/32" Hex - #8-1/4 Screw	010059-00	21
#3	7/32" Hex - 3/8 Screw	010061-00	21
#4	3/16" Hex - 5/16 Screw	010062-00	21

Prices subject to change without notice.

# Sex Bolts

Machine screws are supplied with the Device.

Model No.	Thread Size		List Price
425	10-24	Package of 2	26
625	12-24	Package of 2	26
325	1/4-20	Package of 2	26
525	12-24	Package of 2	26
825	10-24	Package of 2	26

**REFERENCE NOTES:**

625 and 825 sexbolts furnished standard for 1 3/4" thick door. Specify 2 1/4" if required.

## SLM Blocking Mounting Packages

For use with devices on doors with special high density blocking material.  
Blocking material must be UL or Warnock Hersey approved.

Type	Unfinished	US3, US4, US10B US32D, US32
98/99 Rim	23	—
9827/9927	31	—
9875/9975/9847WDC/9947WDC/9850WDC/9950WDC	13	—
88 Rim	—	34
8827	—	62
8875	—	34
5547WDC	—	41
RG-27	30	—
RGO	13	—
LGO	13	—

Prices subject to change without notice.

---

# *Electrical Products*

Prices subject to change without notice.

# Alarm Kits

Model No.	US15	SP28 SP313	US4 US28 US10 313	US32D	US3 US26 315	Weight lbs.
22 ALK	—	564	—	—	—	2.2
33A-ALK	—	—	635	—	635	1.1
35A-ALK	635	—	635	—	635	1.1
98 ALK	635	—	635	635	635	1.1
99 ALK	—	—	635	—	635	1.1

## OPTIONS:

Connector (CON) is a cross-category solution using common interconnect components for electrified options. Available for ALK at no additional charge. Specify CON.

## REFERENCE NOTES:

Above prices include switch kit - "RX" is standard, "LX" is optional at no charge. To order "Less Switch", **deduct \$256 list**. When ordering alarm kits separate from devices, the 3' device kit is furnished standard. Specify 4' if required, no additional charge. The "EI" External Inhibit feature is standard on the ALK at no additional charge.

# Mortise Locks

Model No.	Description	US32D	US3, US4, US19, US10, US10B, US32	Wt. lbs.
7500	Standard Mortise Lock	681	702	3.5
7500-2	Double Cylinder Mortise Lock	889	910	3.5
7500-IN	INPACT Device Mortise Lock	846	868	3.5
E7500	Electric Unlocking Mortise Lock	1317	1338	3.5
SS7500	Signal Switch Mortise Lock	937	958	3.5
SS7500-IN	94/9575 Signal Switch Mortise Lock	1102	1124	3.5

## E7500 Notes:

**Voltage/Current** - furnished standard 24VDC if not specified. 12VDC available at no additional charge.

AC requires S012 or S024 Rectifier Kit, specify voltage/current 24VAC or 12VAC, **\$43 list add**.

**NOTE:** SO rectifier kit intended for fail secure / momentary use only. Contact product support for assistance.

**Fail Mode** - specify FAIL-SECURE (FSE) or FAIL SAFE (FS).

**Functions** - available for use with "TP", "K" or "L" functions only.

**Connector (CON)** - is a cross-category solution using common interconnect components for electrified options. Available for E7500 and SS7500 at no additional charge. Specify CON.

See catalog section on SS7500 or E7500 for required accessory equipment.

Prices subject to change without notice.

# Switches

Model No.	Part No.	List Price Non-Finished
RX Switch Kit	050251-00	256
WP-RX-AUX Waterproof Switch Kit	051881-00	369
RX-LC Switch Kit	050281-00	297
RX-2 Switch Kit	050270-00	318
RX-Aux Switch Kit	050271-00	266
LX Switch Kit 3' Device	050254-00	256
LX Switch Kit 4' Device	050255-00	256
LX-LC Switch Kit 3' Device	050283-00	297
LX-LC Switch Kit 4' Device	050285-00	297
EL-LX Switch Kit	050247-00	256
EL-LX-LC Switch Kit	050287-00	297
LX-RX Switch Kit 3' Device	050256-00	387
LX-RX Switch Kit 4' Device	050257-00	387
LX-RX-LC Switch Kit 3' Device <sup>a</sup>	050289-00	464
LX-RX-LC Switch Kit 4' Device	050291-00	464
EL-LX-RX Switch Kit	050259-00	387
EL-LX-RX-LC Switch Kit	050293-00	464
LX 94/95 Switch Kit (After 4/2005)	050226-00	256

Consult technical support for details.

## Delayed Exit System

### Designed to meet NFPA 101 "Special Locking Arrangement" applications

**Note:** A complete system requires several components not included with controller. Consult catalog for details.

Model No.	Description	List Price
* DE5300	Logic Controller 15 Second Delay furnished standard.	1000
* OVER 15 SECOND DELAY REQUIRES A LETTER OF APPROVAL FROM THE AUTHORITY HAVING LOCAL JURISDICTION OVER THE PREMISES PRIOR TO THE INSTALLATION OF THE DEVICE. ALLEGION CANNOT GRANT SUCH APPROVAL NOR DOES IT WARRANT LOCAL JURISDICTION COMPLIANCE.		
✓ 0 Delay	0 Second Delay	137
✓ 30 Delay	30 Second Delay	137
✓ BOCA-15 Delay	15 second delay with BOCA Modification	137
✓ BOCA-30 Delay	30 second delay with BOCA Modification	137

✓ Consult factory for lead time.

## Interface Boxes/Relays

Model No.	Description	List Price
JB7	Enclosure with terminal strip. Optional relays are available for factory or field installation	690
<b>Factory Installed</b>		List add per Interface Box
R1	24VDC SPDT	300
R2	24VDC DPDT	300
R3	24VDC DPDT Delay on Make Time Delay	493
R4	24VDC DPDT Delay on Break Time Delay	493
<b>Parts (Field Installable)</b>		Each Price
Relay Kit R5	24VDC SPDT.	300
Relay Kit R6	24VDC DPDT.	300
Relay Kit R7	24VDC DPDT. Delay on Make Time Delay	493
Relay Kit R8	24VDC DPDT. Delay on Break Time Delay	493

Prices subject to change without notice.

# Allegion Connect - Wire Harnesses

Allegion Connect Harnesses - Prices listed are net, discounting does not apply		
Part Number	Description	Price Each
<b>Harnesses with Molex Connectors on both ends (for use with Hollow Metal Doors)</b>		
CON-6	6" Wire Harness (internal p/n 106190-00)	\$11.00
CON-12	12" Wire Harness (internal p/n 106191-00)	15.00
CON-26	26" Wire Harness (internal p/n 106192-00)	17.00
CON-32	32" Wire Harness (internal p/n 106193-00)	18.00
CON-38	38" Wire Harness (internal p/n 106194-00)	20.00
CON-44	44" Wire Harness (internal p/n 106195-00)	19.00
CON-50	50" Wire Harness (internal p/n 106196-00)	20.00
CON-192	192" Wire Harness (internal p/n 106197-00)	46.00
<b>Harnesses with Molex Connector on one end, crimped pins on other w/ attachable Molex connector (for use with Wood Doors)</b>		
CON-6P	6" Wire Harness (internal p/n 106201-00)	\$14.00
CON-12P	12" Wire Harness (internal p/n 106202-00)	18.00
CON-26P	26" Wire Harness (internal p/n 106203-00)	20.00
CON-32P	32" Wire Harness (internal p/n 106204-00)	21.00
CON-38P	38" Wire Harness (internal p/n 106205-00)	21.00
CON-44P	44" Wire Harness (internal p/n 106206-00)	22.00
CON-50P	50" Wire Harness (internal p/n 106207-00)	23.00
CON-192P	192" Wire Harness (internal p/n 106208-00)	48.00
<b>Harness with Molex Connector on one end, stripped leads on other (for connection to power supply)</b>		
CON-6W	6" extension to power supply (internal p/n 106210-00)	\$14.00
<b>Service Kit</b>		
CON-KIT	Connector Service Kit (internal p/n 050823-00-00) contains: -100 each male & female terminals -10 each 4-pin and 8-pin male connectors -10 each 4-pin and 8-pin female connectors -1 extraction tool	\$115.00

CON Adapter Harnesses for electrified hardware are located in the parts section with their corresponding products.

## Electric Power Transfers

Model No.		SP28	SP313	Weight lbs.
EPT 2	Two 18 gauge wires	485	485	2.5
EPT 10	Ten 24 gauge wires	514	514	2.5
BAA	"Buy America Act" compliant EPT option will be labeled as "Assembled in the U.S.A. with U.S. and foreign materials"	N/C		
CON	Connector (CON) is a cross category solution using common interconnect components for electrified options. Available for EPT10. Specify CON.	11	11	

Prices subject to change without notice.

## Standard Features

- UL294 Listed for Access Control
- Class 2 rated power limited output \*
- Universal 120-240 VAC Input
- Regulated and filtered DC outputs
- AC input, battery and DC output LED indicators
- Plug and play connectors for optional distribution boards
- AC input status indication on outside cover
- AC monitoring
- 14" H x 12" W x 4" D enclosure

\* PS906 is Class 2 when used with 900-8P option board

## 1. Select Power Supply

Model	Description	List Price
<b>PS902</b>	Base Power Supply (2A @ 12/24 VDC- field selectable) (approx. weight: 9 lbs) -PS902 is able to accept a total of one optional distribution board, plus one fire alarm relay along with one battery backup board and up to two 7A/hr batteries	260
<b>PS904</b>	Base Power Supply (4A @ 12/24 VDC- field selectable) (approx. weight: 11 lbs) - PS904 is able to accept a total of two optional distribution boards, plus one battery backup board and up to two 7A/hr batteries	491
<b>PS906</b>	Base Power Supply (6A @ 12/24 VDC- field selectable) (approx. weight: 7 lbs) - PS906 is able to accept a total three optional distribution boards or two optional boards with battery backup board and two 7A/hr batteries	760
<b>PS914</b>	Base Power Supply (4A w/ 16A inrush @ 12/24 VDC- field selectable) (approx. weight: 9 lbs) - PS914 is able to accept a total of two optional boards, plus one battery backup board and two 7A/hr batteries	744
<b>PS914RFK</b>	The PS914RFK allows the retrofit of the PS914 into an existing PS873 cabinet.	871
<b>BAA</b>	"Buy America Act" compliant power supply option will be labeled as "Assembled in the U.S.A. with U.S. and foreign materials"	40

When specifying power supply with "EL" or "QEL" Electric Latch Retraction devices, the 2RS is furnished when board option is not specified.

## 2. Select Optional Distribution Board with or without FA (Fire Alarm Relay)

Model	Description	Part #	List Price
<b>900-4R</b>	Independently controlled relays	44489912-00	175
<b>900-4R-FA</b>	Independently controlled relays with FA		239
<b>900-2RS</b>	2 Relay board output	44489896-00	178
<b>900-2RS-FA</b>	2 Relay board output with FA		242
<b>900-4RL</b>	4 Relay board integrated logic for controlling security interlocks, auto operators and time delays	44489920-00	481
<b>900-4RL-FA</b>	4 Relay board integrated logic for controlling security interlocks, auto operators and time delays with FA		545
<b>900-8F</b>	8 fuse protected outputs	44489946-00	64
<b>900-8F-FA</b>	8 fuse protected outputs with FA		128
<b>900-8P</b>	8 PTC protected outputs	44489938-00	64
<b>900-8P-FA</b>	8 PTC protected outputs with FA		128
<b>900-BBK</b>	Battery Backup Kit (includes two 7A/hr batteries)	44489961-00	252
<b>900-BB</b>	Battery Backup board only (sold separately)	44489953-00	126
<b>900-BAT</b>	Batteries only - (two 7A/hr batteries, sold separately)	44487155-00	126

\* For field installation, use model number. Example: 900-2RS.

## 3. Select Other Power Supply Options

Model	Description	Part #	List Price
<b>900-FA</b>	Fire Alarm Relay (EIR) module is a plug-in relay to provide an interface with fire or other emergency override systems PS902: may be installed directly on power supply or may be used with optional distribution boards PS904, PS906, PS914: must be used with optional distribution boards. If an optional board is not listed the 900-8F-FA will be provided.	44487247-00	64
<b>900-KL</b>	Key Lock Cover (not available with BAA)	44486850-00	40

**Note:** PS902, PS904, PS 906 and PS914 power supplies require connection to AC line voltage. Installation and all electrical connections (high and low voltage) should be performed by a qualified electrical contractor.

Prices subject to change without notice.

# Electric Strikes

## How to Order:

Model	Power failure mode	Optional Dual switch	Voltage	Optional Rectifier kit	Optional Shim	Finish	Optional Buzzer	Allegion connect
1	2	3	4	5	6	7	8	9
<b>Specify for:</b>	6100 6200	6100 6200	6100 6200	4200 5100 6100 6200 6300 6400	6100 6300	5100 6100 6200	4200 5100 6100 6200 6300 6400	6100 6200

## 4200 Series Electric Strikes for cylindrical and deadlatch locks

### Features

- Field selectable fail-safe/fail-secure without disassembly
- Dual voltage: 12 VDC at 200 mA / 24 VDC at 100 mA
- Compatible with all Schlage and Falcon cylindrical locks as well as cylindrical and deadlatch locks of many other manufacturers
- Meets ANSI/BHMA 156.31 Grade 1 endurance & dynamic strength
- Meets ANSI/BHMA 156.31 Grade 2 static strength

Model	Fire Rated	Throw	Hollow Metal	Wood	Alumi-num	Single	Mullion Pair	BHMA 630 US32D
4211		1/2"-3/4"	■	■	■	■	Shallow 1-3/8" backbox depth	199
4212		1/2"-5/8"	■	■	■	■	Includes latchbolt monitor. Shallow backbox.	239
<b>Options (please specify):</b>								
SO12	Rectifier Kit						Converts 12 VAC to 12 VDC	43
SO24	Rectifier Kit						Converts 24 VAC to 24 VDC	43
EB	Entry Buzzer						Use in fail-secure applications	42
090110	Faceplate, Round Corner						Additional faceplate option, square corner is standard in the box, both in BHMA 630/US32D satin stainless steel finish	20

Refer to the Electric Strike Parts section for a complete list of available parts.

**NOTE:** SO rectifier kit intended for fail secure / momentary use only. Contact product support for assistance.

## 5100 Series Electric Strike for cylindrical and deadlatch locks

### Features

- Adjustable keeper improves fit on tight door preps
- Field selectable fail-safe/fail-secure
- Dual voltage: 12 VDC at 380 mA / 24 VDC at 190 mA
- Compatible with Schlage and Falcon cylindrical and deadlatch locks including those of many other manufacturers
- UL 1034 burglary-resistant

Model	Fire Rated	Throw	Hollow Metal	Wood	Alumi-num	Single	Mullion Pair	BHMA 689 SP28	BHMA 622 US19	BHMA 695 SP313
5100-3FP		1/2"-5/8"	■	■	■	■	3 faceplates included with hardware for an all-in-one boxed solution	258	258	258
<b>Options (please specify):</b>										
SO12	Rectifier Kit						Converts 12 VAC to 12 VDC	43		
SO24	Rectifier Kit						Converts 24 VAC to 24 VDC	43		
EB	Entry Buzzer						Use in fail-secure applications	42		

Refer to the Electric Strike Parts section for a complete list of available parts.

**NOTE:** SO rectifier kit intended for fail secure / momentary use only. Contact product support for assistance.

Prices subject to change without notice.



## 6100 Series Electric Strikes for rim exit devices

### Features

- Furnished standard in fail secure configuration unless specified fail safe (see options)
- 24 VDC supplied standard if not specified otherwise (see options)
- Compatible with Von Duprin and Falcon rim exit devices and those of many other manufacturers
- UL10C fire rated (fail secure only)
- UL1034 burglary-resistant

Model	Fire Rated	Throw	Hollow Metal	Wood	Alumi-num	Single	Mullion Pair		BHMA 605 US3	BHMA 606 US4	BHMA 612 US10	BHMA 613 US10B	BHMA 629 US32	BHMA 630 US32D
6111	■	3/4"	■	■	■	■	■	Can use with vertical rod exit devices	1065	903	932	932	965	892
6111-55R	■	3/4"	■	■	■	■	■	Designed for use with 55 rim device only	1065	903	932	932	965	892
6112	■	3/4"	■	■	■	■	■	Designed to replace FA 310-5 with minor frame modification	1023	835	885	885	856	835
6113	■	3/4"	■	■	■	■	■	Retrofits VD 3011, 3021	1051	892	907	907	907	892
6114		3/4"	■		■	■		Surface applied for use with rim nightlatch devices	1002	907	947	947	876	863
6121		3/4"	■	■	■		*	*For rim exit devices on double doors without mullion	1587	1243	1359	1359	1344	1243

For Options please see list under 6200 Series section.

Also, refer to the Electric Strike Parts section for a complete list of available parts.

## 6200 Series Electric Strikes for mortise or cylindrical locks

### Features

- Furnished standard in fail secure configuration unless specified fail safe (see options)
- 24 VDC supplied standard if not specified otherwise (see options)
- Compatible with mortise (without deadbolt) and cylindrical lock applications except where noted
- ANSI/BHMA 156.31 Grade 1: 6211, 6211AL and 6211WF
- UL10C fire rated (fail secure only)
- UL1034 burglary-resistant

Model	Fire Rated	Throw	Hollow Metal	Wood	Alumi-num	Single	Mullion Pair		BHMA 605 US3	BHMA 606 US4	BHMA 612 US10	BHMA 613 US10B	BHMA 629 US32	BHMA 630 US32D
6210	■	3/4"	■		■	■		Mortise only. Includes strike pocket inserts for deadlocking triggers	998	813	891	891	924	813
6211	■	3/4"	■		■	■		Retrofits VD 3140 or FA 712	904	775	813	813	777	766
6211AL	■	3/4"			■	■		Retrofits FA 722	956	796	862	862	804	796
6211WF	■	3/4"		■		■		Retrofits FA 732 with minor frame modification	904	775	813	813	777	775
6212	■	3/4"	■		■	■		Fits modified ANSI 115.2 cutout. Retrofits VD 3146.	1016	907	961	961	969	907
6212WF	■	3/4"		■		■			1016	907	961	961	969	907
6213	■	3/4"	■		■	■		Retrofits VD 3041, 3042, 3061 and 3062	1023	873	912	912	912	873
6214	■	3/4"	■		■	■		Retrofits FA 310-2 3/4	1023	986	1024	1024	1015	997
6215	■	3/4"	■		■	■		Retrofits FA 310-2	1024	894	947	947	907	893
6216	■	3/4"	■	■	■	■		Retrofits FA 310-3-1. For mortise with manually operated deadbolt - 1" throw.	1414	1135	1190	1190	1146	1135
6221	■	3/4"	■	■	■	■		Retrofits VD 3071 and 3072. 4-3/4" minimum stile required	1111	1002	1057	1057	1077	1002
6222	■	3/4"	■		■	■		Retrofits FA 310-2 3/4 OB	1556	1268	1318	1318	1268	1268
6223	■	3/4"	■	■	■	■		Retrofits VD 3091 and 3092. 4-3/4" minimum stile required	1023	854	912	912	912	854
6224	■	3/4"	■		■	■		Retrofits FA 310-2 3/4. For door thicknesses 1-3/4" or 2-1/4"	1194	998	1037	1037	1027	1010
6224AL	■	3/4"			■	■		Retrofits FA 310-2RF. For door thicknesses 1-3/4" or 2-1/4"	1232	1024	1084	1084	1037	1024
6225	■	3/4"	■		■	■		Retrofits FA 310-2 OB	1346	1197	1243	1243	1268	1197
6226	■	3/4"	■		■	■		Retrofits FA 310-2. For door thicknesses 1-3/4" or 2-1/4"	1023	854	903	903	864	854

### Options (please specify):

FS	Fail Safe	Fail secure (FSE) is standard unless FS is specified	41
DS	Dual monitor switch	For latch bolt and lock status. Not available on 6221, 6222 & 6225	203
DS-LC	Low current dual monitor switch	For latch bolt and lock status. 50 mA or less at 24 VDC	203
SO12	Rectifier Kit	Converts 12 VAC to 12 VDC (For 16 VAC current, use SO24 rectifier kit)	43
SO24	Rectifier Kit	Converts 24 VAC to 24 VDC	43
SHIM	Shim for blade stop applications	Available as specified item with 6111 and 6113 only	171
EB	Entry Buzzer	Use in fail-secure applications	42
CON	Allegion Connect	6" wire extension harness connector	N/C

Refer to the Electric Strike Parts section for a complete list of available parts.

**NOTE:** SO rectifier kit intended for fail secure / momentary use only. Contact product support for assistance.

# Electric Strikes

## 6300 Series Surface Mount Electric Strike for rim exit devices

### Features

- Dual voltage: 12 VDC at 500 mA / 24 VDC at 240 mA
- Compatible with most rim exit devices
- UL 1034, UL 294, CSFM
- UL 10C 3-hour fire rated (fail secure only)

Model	Fire Rated	Throw	Hollow Metal	Wood	Aluminum	Single	Mullion Pair		BHMA 630 US32D
6300	■	up to 3/4"	■	■	■	■	■	No cut, surface mount design	767
<b>Options (please specify):</b>									
SHIM	Shim for blade stop applications							Can be ordered separately as part 050804-00	65
SO12	Rectifier Kit Converts 12 VAC to 12 VDC							43	
SO24	Rectifier Kit Converts 24 VAC to 24 VDC							43	
EB	Entry Buzzer Use in fail-secure applications							42	

Included with strike: two plug-in voltage connectors, mounting template, spacer plate, mounting screws, and hex wrench. Refer to the Electric Strike Parts section for a complete list of available parts.

**NOTE:** SO rectifier kit intended for fail secure / momentary use only. Contact product support for assistance.

## 6400 Series Modular Electric Strike for mortise or cylindrical locks

### Features

- Dual voltage: 12 VDC at 375 mA / 24 VDC at 190 mA
- Modular options fit cylindrical and nearly any mortise lock.
- Includes movable deadbolt keeper, plug and deadlatch ramp inserts.
- ANSI/BHMA 156.31 Grade 1
- UL 1034, UL 294, CSFM
- 3-hour fire rated to UL 10C (fail secure only)

Model	Fire Rated	Throw	Hollow Metal	Wood	Aluminum	Single	Mullion Pair		BHMA 630 US32D
6400	■	up to 3/4"	■	■	■	■	■	Up to 1" deadbolt throw (as night latch only)	540
<b>Options (please specify):</b>									
LM6400	Latch Monitor							Optional plug-in latch monitor can be added in the field	58
SO12	Rectifier Kit Converts 12 VAC to 12 VDC							43	
SO24	Rectifier Kit Converts 24 VAC to 24 VDC							43	
EB	Entry Buzzer Use in fail-secure applications							42	

Included with strike: two plug-in voltage connectors, self-adhesive template for frame cuts, trim filler plate, mounting tabs and shims, as well as tamper-resistant screws with a security driver bit.

Refer to the Electric Strike Parts section for a complete list of available parts.

**NOTE:** SO rectifier kit intended for fail secure / momentary use only. Contact product support for assistance.

## Monitor Strikes

Model No.		US26D	US10B	US4 US10	US3 US26	Weight lbs.
4263-T1	For Rim type exit device as per catalog	412	412	396	436	2.1
4263-T3	For Rim type exit device as per catalog	412	412	396	436	2.1
4268-T1	For Rim type exit device as per catalog	541	541	541	571	2
4582-T1	For Mortise Locks as per catalog - <b>specify handing</b>	453	453	412	475	2
4582-T2	For Mortise Locks as per catalog - <b>specify handing</b>	453	453	412	475	2
4570-T1	For Cylindrical/Mortise Locks as per catalog	453	453	412	475	2
4670-T1	For Cylindrical Locks as per catalog	412	412	396	436	2
4690-T2	For Single 3347A, 3547A, 9847, and 9947	658	658	595	682	2.1
4690-T2-1	Special Twin for 3347A and 3547A Device (2 1/4" cc)	1215	1215	1110	1215	2

## Schlage® Electronic Exit Trim

AD Series Electronic Exit Trim is available on XP98/99 and Series 98/99 for rim, mortise, surface vertical, and concealed vertical rod/concealed vertical cable, and Series 22/22F for rim and surface vertical rod devices. For AD-300/400 network trim the Von Duprin RX-LC switch (part #050281) must be used or the warranty is void.

### Four communication options:

- AD-200 993 Offline, access rights stored on lock.
- AD-250 993 Offline, access rights on stored magnetic stripe credential.
- AD-300 993 Networked Hardwire Locks
- AD-400 993 Networked Wireless Locks

For complete pricing information refer to Schlage Electronic Security Price Book #010056.

**NOTE:** CVR/CVC trim is available only on metal doors.



Prices subject to change without notice.

---

# *Von Duprin Parts Prices*

Prices subject to change without notice.

# Index

Numerical Index.....	114-117
22 Series.....	118-119
33A/35A Series.....	120-124
33A/3549A Series.....	125
33/3550AWDC Series.....	126
330/350 Series.....	127
55 Series.....	128-130
88 Series.....	131-136
98/99 Series.....	137-142
98/9949 Series.....	143
98/9950WDC Series.....	144
XP98/99 Series.....	145
INPACT Series 94/95.....	146
7500 Mortise Lock.....	147
Controls Series 360/370.....	148-150
Trims.....	151-156
Mullions.....	157
Screw Packs/ Shims/ Miscellaneous.....	158
Maintenance Kit and Replacement Packages.....	159
Electric Strikes.....	160-163
Electric Accessories.....	164-166
GUARD-X.....	167
Service Replacement Items.....	168
Part Number Cross Reference.....	169-170

# Numerical Index

Part No.	Page	Part No.	Page	Part No.	Page	Part No.	Page	Part No.	Page	Part No.	Page
010055	163	040079	138	041169	164	050026	137	050107	131	050184	128
010057	163	040080	138	041170	164	050027	137	050108	131	050185	128
010058	163	040081	138	041171	164	050028	137	050109	120, 127	050186	128
010059	158	040082	138	041172	164	050029	137	050110	130	050187	128
010060	158	040083	138	041173	164	050030	137	050112	129	050188	128
010061	158	040084	138	050001	148, 153	050031	162	050114	120, 138	050189	128
010062	158	040085	138	050002	148, 153	050032	162	050115	120, 138	050190	157
012014	164	040086	165	050003	148, 153	050033	162	050117	120, 138	050191	128
032114	152	040087	165	050004	129, 133	050034	163	050122	168	050192	128
033022	134	040088	165	050005	129, 133	050036	130	050124	168	050193	128
033024	168	040089	165	050006	148, 153	050046	159	050128	122, 141	050194	128
040000	129	040091	165	050007	148, 153	050047	122, 141	050130	157	050195	128
040001	129	040092	165	050008	148, 153	050048	122, 141	050132	120, 138	050196	129
040061	164	040093	138	050009	148, 153	050053	130	050133	120, 127	050197	129
040062	164	040094	138	050010	148, 153	050054	157	050134	138	050198	129
040063	164	040169	165	050011	161	050070	164	050135	157	050199	129
040064	164	040170	165	050012	148, 153	050071	137	050136	129	050200	131
040065	164	040171	156	050013	148, 153	050072	137	050137	129	050201	131
040066	164	040188	165	050014	120, 127, 139	050073	137	050139	129	050202	131
040067	164	040189	165	050015	161	050078	164	050140	127, 151	050209	133
040068	164	040191	140, 165	050016	161	050090	119, 141, 168	050141	127, 151	050210	133
040070	120	040192	165	050017	148, 153	050091	119, 141, 168	050142	127, 156	050211	133
040071	120	040193	165	050018	161	050093	136	050143	127, 156	050212	147
040072	120	040198	140, 165	050019	132	050096	130	050155	168	050213	147
040073	120	040199	140, 165	050020	137	050101	131	050156	150, 151	050214	147
040074	120	041164	164	050021	137	050102	131	050157	168	050215	147
040075	120	041165	164	050022	137	050103	131	050168	157	050218	168
040076	120	041166	164	050023	137	050104	131	050169	157	050226	165
040077	120	041167	164	050024	137	050105	128	050171	122, 141	050237	163
040078	138	041168	164	050025	137	050106	131	050183	128	050239	163

Prices subject to change without notice.



# Numerical Index

Part No.	Page	Part No.	Page	Part No.	Page	Part No.	Page	Part No.	Page	Part No.	Page	
090011	130, 136	090088	140	106198	164	111728	161	112776	160	900390	156	
090012	133	090090	150	106201	166	111729	161	112777	160	900392	118	
090013	133	090091	150	106202	166	111730	161	112778	160	900397	118	
090014	133	090092	150	106203	166	111731	161	112779	160	900400	157	
090015	132	090093	150	106204	166	111732	161	112780	161	900402	157	
090016	133	090094	150	106205	166	111733	161	112781	161	900409	157	
090017	132	090095	150	106206	166	111734	161	112782	161	900410	157	
090018	130, 136	090096	150	106207	166	111735	161	112783	161	900411	157	
090020	129, 134	090097	150	106208	166	111736	161	112784	160	900413	157	
090021	129, 134	090098	150	106210	166	111737	161	112785	160	900416-00	120	
090022	128	090099	150	106222	124, 142, 146	111738	161	112835	167	900424	145	
090023	128	090100	150	107765	135	111739	161	112843	148	900425	145	
090024	128, 129	090101	150	108490	168	111740	161	112844	167	900426	145	
090025	128	090102	150	108493	168	111741	161	112845	167	900427	145	
090026	128, 129	090103	150, 151	108705	152	111742	161	112868	123, 141	900501	135	
090027	129	090104	151	109012	118	111743	160	113100	138	900502	130, 135	
090028	129	090105	151	109111	150	111744	160	113101	138	900503	132, 133, 134	
090029	129	090106	151	109112	148	111745	160	113232	163	900504	132, 133, 134	
090030	130	090107	118, 120, 138, 146,	109113	168	111746	160	113781	140, 165	900505	132, 133, 134	
090031	120, 138, 159	159	109115	148	109115	148	111747	160	113782	140, 165	900506	132, 133, 134
090032	130	090108	158	109118	168	111748	160	113853	132	900507	128, 129	
090033	130	090110	162	109126	148	111749	160	114140	147	900508	128	
090034	130	090114	162	109127	148	111750	160	114141	130, 135	900509	129	
090035	130	090591	163	109130	156	111751	160	114294	147	900512	128, 129	
090036	120, 166	090599	145	109132	148	111752	160	114317	164	900514	128, 129	
090037	121, 140	090600	145	109133	148	111753	160	114320	164	900521	141	
090038	119, 121, 140	090601	145	109324	123, 141, 146	111754	160	114810	148	900522	141	
090039	119, 121, 140	090602	145	109347	147	111755	160	114812	148	900523	141	
090040	119, 120, 121, 140	090794	145	109361	119	111756	160	114814	149	900524	141	
090041	119, 121, 140	090795	145	109362	119	111757	160	114816	149	900531	152	
090042	119, 121, 140	090796	145	109366	148	111758	160	114818	149	900532	147, 158	
090043	119, 121, 140	090797	145	109367	148	111759	161	114820	149	900533	152	
090044	119, 121, 140	090798	163	109369	156	111760	161	114822	149	900534	136	
090047	127	090943	165	109773	147	111761	161	114824	149	900539	128	
090048	119, 127, 140	091030	168	109871	151	111762	161	114826	149	900541	130, 136	
090049	120, 127, 139, 159	091031	168	109872	151	111763	161	114828	149	900542	152	
090050	128	091032	168	109873	151	111764	161	114830	149	900555	150	
090051	128, 129	091061	168	109879	151	111765	161	114832	149	900556	150	
090052	129	091080	168	110343	151	111766	161	114834	149	900558	148	
090053	129	091082	168	110360	165	111813	160	114836	149	900559	148	
090054	119, 123, 142	091091	158	110388	121, 140, 164	111814	160	114838	149	900564	168	
090056	119, 122, 141, 159	100315	130	110537	155	111869	155	114840	149	900565	123	
090057	119, 122, 141	100316	130	110544	152	111943	147	114842	149	900569	168	
090059	123, 141, 159	100741	130, 136	110547	152	112063	119, 142	114844	149	900576	130, 135	
090060	168	101023	137	110744	147	112409	138	114846	149	900581	151	
090061	123, 141	101024	137	110768	155	112455	138	114848	149	900582	148	
090062	168	101025	142	110769	155	112456	138	114850	149	900583	168	
090063	123, 141	101026	142	111244	160	112462	155	114852	149	900584	163	
090064	123, 141	101030	166	111246	160	112754	160	114984	138	900589	119, 122, 141	
090065	119, 123, 141, 159	101212	152	111247	160	112755	160	116549	164	900597	120, 139	
090066	123, 141	103865	134	111250	160	112756	161	116717	165	900610	132	
090067	119, 124, 142	103866	129	111251	160	112757	161	117000	120	900613	132	
090068	119, 124, 142	105100	166	111264	160	112758	161	661481	158	900614	130, 135	
090069	124, 142	105140	136	111711	160	112759	161	900241	141	900615	133	
090070	124, 142	105144	130	111712	160	112760	160	900242	141	900619	120	
090071	123, 142	105952	123	111713	160	112761	160	900252	158	900620	124, 142	
090072	123, 142	105987	157	111714	160	112762	160	900253	158	900622	150	
090073	159	105988	157	111715	161	112763	160	900254	158	900624	151	
090074	118, 138, 159	106181	147	111716	161	112764	161	900263	158	900626	146	
090075	119, 142	106182	166	111717	161	112765	161	900281	158	900760	152	
090076	119, 122, 141, 159	106183	166	111718	161	112766	161	900284	158	900761	152	
090077	118	106187	164	111719	160	112767	161	900285	158	900771	152	
090079	118, 138	106190	166	111720	160	112768	161	900288	162	900772	152	
090080	134	106191	166	111721	160	112769	161	900289	158	900776	152	
090081	129, 134	106192	166	111722	160	112770	161	900290	162	900782	152	
090082	134	106193	166	111723	160	112771	161	900292	163	900783	152	
090083	134	106194	166	111724	160	112772	160	900297	145	900784	152	
090084	168	106195	166	111725	160	112773	160	900344	163	900807	150	
090085	118, 121, 129, 134,	106196	166	111726	160	112774	160	900345	162, 163	900808	150	
140		106197	166	111727	161	112775	160	900347	163	900809	150	

Prices subject to change without notice.

# Numerical Index

Part No.	Page	Part No.	Page	Part No.	Page	Part No.	Page	Part No.	Page	Part No.	Page
900810	150	963080	147	968793	147	970979	151	24685505	126, 144	PKGMTG.1002	167
900820	158	963105	155	968883	153	971010	158	24685554	144	PKGMTG.1003	167
900835	127	963150	168	968918	156	971012	155	24685562	126	PKGMTG.1004	162
900836	127	963196	153	968935	147	971015	155	44487155	166	PKGMTG.1005	162
900839	156	963579	153, 155	968938	134	971132	155	44489870	166	PKGSCR.1001	167
900840	156	963581	152	968939	147	971187	157	47244841	158	PKGSCR.1003	162
900847	158	963584	168	969012	155	971198	162	47250175	125, 143	PKGSCR.1004	162
900848	158	963585	168	969089	147	971212	157	47250176	125, 143	PKGSRV.1007	159
900849	158	963703	153, 156	969091	156	971245	151	47250177	125, 143	PKGSRV.1010	159
900850	119, 122, 135, 141	963704	153, 156	969092	156	971249	151	47250178	125, 143	PKGSRV.1011	159
900852	135	963712	168	969107	147	971259	151	47250179	125, 143	PKGSRV.1012	159
900853	155	963767	155	969126	118	971312	157	47250180	125, 143	PKGSRV.1013	159
900856	120, 141	963873	168	969127	118	971313	157	47250398	125, 143	PKGSRV.1015	159
900870	162	963902	168	969140	151	971316	157	47250403	125, 143	PKGSRV.1016	159
900871	141	963905	168	969157	151	971320	147	47250968	125, 143	PKGSRV.1018	130, 159
900881	162	963909	168	969280	158	971328	157	47259557	125	PKGSRV.1019	159
900882	162	963954	147	969349	166	971340	157	47259560	124, 142	PKGSRV.1020	159
900883	150	963984	147	969350	166	971385	162	47260610	124	PKGSRV.1022	159
900884	150	964019	163	969352	151	971415	162	47263418	142, 142	PKGSRV.1023	159
900885	162	964035	147	969353	153, 155	971417	162	47267412	165	RODASY.121	146
900888	158	964037	163	969354	166	971440	155	48968820	126, 144	RODASY.122	146
900892	120, 138	964070	162	969364	147	971470	118	48968838	126, 144	SIGN-1	166
900894	151	964097	155	969545	155	971471	118	48968861	144	SIGN.1001	167
900898	142	964183	155	969584	162	971497	151	48968879	126	SIGN.1002	167
900901	168	964190	162	969610	147	971556	166	48968887	126, 144	SIGN.1003	167
900919	119, 142	964285	155	969889	138, 168	971557	166	48973291	144		
900920	155	964330	147	969903	151	971573	155	48973309	126		
900954	155	964353	155	969904	151	971585	155	49000391	126, 144		
900955	151	964355	156	969906	151	971593	152	49000409	126, 144		
900966	162	964375	168	969908	151	971614	168	BRKT.121	167		
900973	122	964390	147	969909	151	971655	146	BRKT.131	146		
900978	166	965130	156	969910	151	971656	146	CABLE.10038	155, 166		
900980	122, 141	965226	153, 155	970035	118	971659	146	CASE.107	118, 146		
900981	118	965237	153, 155	970036	118	971664	146	CON-6	108		
945521	158	965310	152	970137	153	971706	146	CON-6P	108		
952820	152	965312	152	970138	153	971709	146	CON-6W	108		
953001	131	965317	152	970139	153	971710	146	CON-12	108		
953002	131	965409	118	970159	153, 155	971712	146	CON-12P	108		
956760	152, 155	965568	153	970188	147	971763	146	CON-26	108		
957901	120	965712	157	970271	162	971764	146	CON-26P	108		
958002	164	965713	157	970272	162	971765	146	CON-32	108		
958003	164	965714	157	970274	162	971766	146	CON-32P	108		
958004	164	966268	118	970276	162	971822	147	CON-38	108		
958005	164	966671	158	970278	162	971832	147	CON-38P	108		
959055	152	966985	152	970280	162	972466	152, 155, 156	CON-44	108		
959056	152	967269	158	970300	162	972467	152, 155, 156	CON-44P	108		
959560	152	967291	152	970301	162	972471	164	CON-50	108		
959563	152	967329	156	970302	162	972549	147	CON-50P	108		
959575	152, 155, 156	967333	158	970303	162	990132	163	CON-192	108		
959603	152, 155, 156	967341	136	970305	162	990637	166	CON-192P	108		
959952	158	967480	150	970306	162	23946429	125, 143	CON-KIT	108		
959953	158	967704	166	970310	162	23946437	125, 143	COVER.109	167		
960003	152	968112	168	970318	147	23946445	143	COVER.114	167		
960012	158	968116	168	970321	158	23946460	125	COVER.115	167		
960060	152	968201	151, 155	970323	158	24052979	125, 143	COVER.116	167		
960109	152	968592	118	970384	163	24086860	137	COVER.121	167		
960316	152	968595	118	970407	162	24086894	137	COVER.122	167		
960317	152	968596	118	970412	163	24090110	125, 143	ECAP.105	167		
960676	152	968645	157	970415	162	24090128	125, 143	ECAP.115	146		
960689	152	968668	147	970472	158	24090136	125	KIT.1001	146		
960902	152, 156	968694	156	970488	153, 155, 156	24090144	143	KIT.1002	146		
960921	156	968713	163	970491	156	24090706	125, 143	PBKIT.1001	118		
961047	157	968716	162	970531	147	24230914	125, 143	PBKIT.1002	118		
961084	158	968748	147	970546	147	24231516	125	PBKIT.1003	118		
961180	152	968761	147	970594	166	24231516	143	PBKIT.1004	118		
961267	153, 155, 156	968763	147	970735	147	24647265	126, 144	PCB.10018	167		
961280	152	968765	147	970861	147	24647273	126, 144	PCB.10019	167		
961530	158	968766	147	970862	147	24647281	126, 144	PCB.10020	167		
963011	153	968770	147	970872	147	24647299	126, 144	PIPE.101	167		
963074	158	968773	147	970978	124, 142	24648180	126, 144	PKGMTG.1001	146		

Prices subject to change without notice.

# 22 Series - Parts

Description	Part. No.	List Price	
		Non-Finished	SP28, SP313
<b>Center Case</b>			
22/22-F Rim Center Case Less Cover	109012	303.00	-
2227/27-F Center Case Less Cover	CASE.107	243.00	-
22/22-F Center Case Cover	041174	-	57.00
2227/27-F Center Case Cover	041175	-	57.00
22 Center Case Cover Screw Pkg/4	090077	11.00	-
22 Series Mounting Package	900392	25.00	-
Control Link Pin Kit	050529	13.00	-
Retaining Ring Pkg/10	090107	13.00	-
NL Drive Screw Pkg/10	090074	21.00	-
2227 Latchbolt Pin Pkg/10	090079	13.00	-
22 Pushbar Stop	965409	13.00	-
<b>Mechanism Case</b>			
22 End Cap Kit	900981	21.00	-
22 End Cap Kit (Metal)	900397	31.00	-
22/2227 Cover Plate - 3' Dr	968595	-	55.00
22/2227 Cover Plate - 4' Dr	968596	-	55.00
22-F/2227-F Cover Plate - 4' Dr	969126	-	55.00
22-F/2227-F Cover Plate - 3' Dr	969127	-	55.00
22 ALK Cover Plate - 3' Dr	971470	-	55.00
22 ALK Cover Plate - 4' Dr	971471	-	55.00
22 Mechanism Case - 3' Dr	970035	-	194.00
22 Mechanism Case - 4' Dr	970036	-	205.00
227 Dog Key 5/32" Pkg/2	090005	21.00	-
227 Dog Key 5/32" Pkg/10	090085	73.00	-
Cover Plate Bearing Insert	968592	13.00	-
Touch Bar Cover Bearing Insert	966268	13.00	-
<b>Push Bar</b>			
22 Series Push Bar - 3' Dr SP28	PBKIT.1001	-	196.00
22 Series Push Bar - 3' Dr SP313	PBKIT.1002	-	196.00
22 Series Push Bar - 4' Dr SP28	PBKIT.1003	-	207.00
22 Series Push Bar - 4' Dr SP313	PBKIT.1004	-	207.00

Prices subject to change without notice.



Description	Part. No.	List Price	
		Non-Finished	SP28, SP313
<b>Baseplate</b>			
Baseplate Bumper Pkg/4	090038	12.00	-
Baseplate Return Spring Pkg/10	090039	13.00	-
Dogging Shaft Pkg/2	090040	13.00	-
Dogging Spring Pkg/2	090041	12.00	-
Dogging Adaptor Spring Pkg/2	090042	16.00	-
Dogging Adaptor Pkg/2	090043	13.00	-
Dogging Hook Pkg/2	090044	13.00	-
Baseplate Bearing Strip Pkg/2	090048	13.00	-
<b>22 Centercase Spacer</b>	<b>47289674</b>	<b>13.00</b>	<b>-</b>

**Vertical Latches**

* 2227 Bottom Latch Retrofit Kit	050090	-	149.00
* 2227 Top Latch Retrofit Kit	050091	-	149.00
** 2227 Bottom Latch Kit Less Cover	050401	149.00	-
** 2227 Top Latch Kit Less Cover	050400	149.00	-
2227 PL Latch Kit Less Cover	050402	149.00	-
2227 Latch Case Cover	050566	-	56.00
2227 Latch Case Cover Screw Pkg	900850	-	13.00
** 2227 Latch Case Mtg. Bracket Kit	050546	30.00	-
2227 Top Latch Compression Spring Pkg/10	090056	13.00	-
2227 Top Latch Spring Pkg/10	090057	13.00	-
2227 Bolt Return Spring Pkg/10	090065	13.00	-
2227 Top Latch Aux. Bolt Spring Pkg/10	090076	13.00	-
** 2227 Latch Case Screw Pkg 1-3/4" Door	900589	13.00	-

\* For Devices shipped before October 1998

\*\* Devices Shipped after October 1998

**Vertical Rods**

2227 Top Vertical Rod	109361	-	111.00
2227 Bottom Vertical Rod	109362	-	111.00
2227 Extension Rod 36" Kit	051804	-	30.00
2227 Rod Guide Package	112063	-	55.00
2227 Rod Guide Mtg. Package	900919	-	13.00
2227 Rod Connector - Latch Pkg/2	090067	21.00	-
2227 Rod Connector - Center Case Pkg/2	090068	21.00	-
2227 Top or Bottom Rod Connector	050547	11.00	-
2227 Rod Extension Connector Pkg/4	090075	14.00	-
2227 Rod Roll Pin Pkg/10	090054	14.00	-

Prices subject to change without notice.

# 33A/35A Series - Parts

Description	Part. No.	Non-Finished	List Price					US3, US15, US26, 315
			US28	US26D	313	US10	US4	
<b>Center Case</b>								
33A/35A Rim Center Case Kit L/Cover	050403	346	-	-	-	-	-	-
33/3527A Center Case Kit L/Cover	050404	346	-	-	-	-	-	-
33/3547A Center Case Kit L/Cover	050405	346	-	-	-	-	-	-
33A/35A-F Rim Center Case Kit L/Cover	117000	464	-	-	-	-	-	-
33A/35A Rim Center Case Cover Kit	050483	-	56	99	71	65	65	129
33/3527A Center Case Cover Kit	050484	-	56	99	71	65	65	129
33/3547A/49A Center Case Cover Kit	050485	-	56	99	71	65	65	129
33/35A Center Case Cover Screws	900892	-	13	13	13	13	13	13
Control Link Pin Kit	050529	13	-	-	-	-	-	-
Retaining Ring Pkg/10	<b>090107</b>	13	-	-	-	-	-	-
Control Link Pin Pkg/10	090031	16	-	-	-	-	-	-
33A/35A Device Mtg Package - 1 3/4" - 2 1/4" Dr	900619	13	-	-	-	-	-	-
33/3547A Wood Door Mtg Package	900856	13	-	-	-	-	-	-
<b>Cover Plate / Conversion Kits</b>								
33A Hex Dog Conversion Kit	<b>050114</b>	-	75	-	75	75	75	75
35A Hex Dog Conversion Kit	<b>050117</b>	-	75	-	75	75	75	75
33A CD Conversion Kit	<b>050115</b>	-	100	-	100	100	100	100
35A CD Conversion Kit	<b>050132</b>	-	100	-	100	100	100	100
33A CDSI Kit 3'/4'	040070/040071	-	329	329	329	329	329	329
33A HDSI Kit 3'/4'	040072/040073	-	237	237	237	237	237	237
35A CDSI Kit 3'/4'	040074/040075	-	329	329	329	329	329	329
35A HDSI Kit 3'/4'	040076/040077	-	237	237	237	237	237	237
CDSI/HDSI Configuration Pkg	900416-00	17	-	-	-	-	-	-
33A Fire or Less Dogging Cover Plate Kit	050133	-	46	-	46	46	46	46
35A Fire or Less Dogging Cover Plate Kit	050109	-	46	-	46	46	46	46
33A ALK Cover Plate Kit	050406	-	110	-	110	110	110	110
35A ALK Cover Plate Kit	050407	-	110	-	110	110	110	110
33A Center Case Cover Plate (1.42")	050474	-	30	-	30	30	30	30
35A Center Case Cover Plate (1.42")	050475	-	30	-	30	30	30	30
Cover Plate Anti-Rattle Spring Pkg/10	<b>090036</b>	13	-	-	-	-	-	-
Dogging Shaft Pkg/2	090040	13	-	-	-	-	-	-
<b>End Cap</b>								
33A/35A Impact Resistant End Cap Kit	050014	-	83	92	83	103	93	93
33A/35A Impact Resistant End Cap Scr Pkg	900597	-	-	13	13	16	13	13
33A/35A Impact Resistant End Cap Bracket	050524	12	-	-	-	-	-	-
33A/35A-F Impact Resistant End Cap Kit	957901	-	79	88	79	99	90	90
<b>Push Bar</b>								
* 33A/35A Push Bar Retrofit Kit - 3' Dr	<b>See Note</b>	-	214	253	233	346	335	396
* 33A/35A Push Bar Retrofit Kit - 4' Dr	<b>See Note</b>	-	231	278	249	362	346	410
33A/35A Push Bar Guide Pkg/10	<b>090049</b>	14	-	-	-	-	-	-

\* **Note:** To order, specify device type, size, finish. Example: PBKIT 33A 3' US28  
 ✓ US15 finish available with Series 35A, only

Items in **Bold print** indicate same part number is used for the old 33/35 series devices.

Prices subject to change without notice.

(continued) **Parts - 33A/35A Series**

Description	Part. No.	Non-Finished	List Price					US3, ✓US15, US26, 315
			US28	US26D	313	US10	US4	
<b>Mechanism Case</b>								
33A Mechanism Case - 3' Dr	<b>050486</b>	-	149	-	186	186	186	212
33A Mechanism Case - 4' Dr	<b>050487</b>	-	212	-	244	244	244	276
35A Mechanism Case - 3' Dr	<b>050488</b>	-	149	-	186	186	186	212
35A Mechanism Case - 4' Dr	<b>050489</b>	-	212	-	244	244	244	276
CD/SS Cylinder Mtg Kit	<b>107813</b>	-	-	62	65	65	65	71
CD/SS Cylinder Locating Washer Pkg	<b>050490</b>	16	-	-	-	-	-	-
CD/SS Mortise Cylinder Collar Pkg	<b>050525</b>	-	-	46	46	56	46	56
CD/SS Cylinder Lock Nut Pkg	<b>050526</b>	14	-	-	-	-	-	-
CD Actuator Pkg/2	<b>090045</b>	13	-	-	-	-	-	-
* CD Dogging Plug Pkg/2	<b>090046</b>	12	-	-	-	-	-	-
227 Dog Key 5/32" Pkg/2	<b>090005</b>	21	-	-	-	-	-	-
227 Dog Key 5/32" Pkg/10	<b>090085</b>	73	-	-	-	-	-	-
Mechanism Case Brkt Kit	<b>050530</b>	11	-	-	-	-	-	-
Mechanism Case Brkt Screw Pkg/10	<b>090073</b>	11	-	-	-	-	-	-
33A/35A Device Mtg Pkg 1 3/4" - 2 1/4" Door	900619	13	-	-	-	-	-	-
33A/35A Device Mtg Pkg 2 1/4" - 2 3/4"	900380	32	-	-	-	-	-	-
33A/35A Device Mtg Pkg 2 3/4" - 3 1/4"	900429	91	-	-	-	-	-	-
33A/35A Device Mtg Pkg 3 1/4" - 4 1/4"	900430	91	-	-	-	-	-	-
33/3547A Wood Door Mtg Pkg	900856	13	-	-	-	-	-	-

\* Devices shipped after July 1997

**Baseplate**

Shock Absorber Pkg	<b>050491</b>	32	-	-	-	-	-	-
Baseplate Screw Pkg/10	<b>090037</b>	12	-	-	-	-	-	-
Baseplate Bumper Pkg/4	<b>090038</b>	12	-	-	-	-	-	-
Baseplate Return Spring Pkg/10	<b>090039</b>	13	-	-	-	-	-	-
Dogging Shaft Pkg/2	<b>090040</b>	13	-	-	-	-	-	-
Dogging Spring Pkg/2	<b>090041</b>	12	-	-	-	-	-	-
Dogging Adaptor Spring Pkg/2	<b>090042</b>	16	-	-	-	-	-	-
Dogging Adaptor Pkg/2	<b>090043</b>	13	-	-	-	-	-	-
Dogging Hook Pkg/2	<b>090044</b>	13	-	-	-	-	-	-
227 Dog Key 5/32" Pkg/2	<b>090005</b>	21	-	-	-	-	-	-
227 Dog Key 5/32" Pkg/10	<b>090085</b>	73	-	-	-	-	-	-
EL Dogging Rod Kit - 3'	<b>050531</b>	64	-	-	-	-	-	-
EL Dogging Rod Kit - 4'	<b>050532</b>	64	-	-	-	-	-	-
EL 6' Cable and Connector	<b>110388</b>	49	-	-	-	-	-	-
EL Potted Circuit Breaker	<b>050534</b>	314	-	-	-	-	-	-
EL Solenoid/Plunger	<b>050535</b>	357	-	-	-	-	-	-
HD-EL Solenoid	<b>050536</b>	357	-	-	-	-	-	-
HD-EL Solenoid Plunger	<b>050537</b>	131	-	-	-	-	-	-
EL Dogging Rod Retainer	<b>050538</b>	14	-	-	-	-	-	-
EL Receptacle Connector	<b>050539</b>	13	-	-	-	-	-	-
EL Female Terminal	<b>050540</b>	13	-	-	-	-	-	-

✓ US15 finish available with Series 35A, only

Items in **Bold print** indicate same part number is used for the old 33/35 Series devices.

Prices subject to change without notice.

# 33A/35A Series - Parts (continued)

Description	Part. No.	Non-Finished	List Price					US3, ✓US15, US26, 315
			US28	US26D	313	US10	US4	
<b>Baseplate</b> (continued)								
HD-EL Dog Screw	<b>050541</b>	16	-	-	-	-	-	-
HD-EL Solenoid Bracket	<b>050542</b>	29	-	-	-	-	-	-
HD-EL Dogging Spring	<b>050543</b>	16	-	-	-	-	-	-
SS Cable	<b>050544</b>	140	-	-	-	-	-	-
SS Housing	<b>050545</b>	468	-	-	-	-	-	-
<b>Vertical Latches</b>								
33/3527A Top Latch Kit Less Cover	050400	149	-	-	-	-	-	-
33/3527A Bottom Latch Kit Less Cover	050401	149	-	-	-	-	-	-
33/3527A Pullman Latch Kit Less Cover	050402	149	-	-	-	-	-	-
33/3547A Top Latch Kit	<b>050492</b>	290	-	-	-	-	-	-
33/3547A Bottom Latch Kit	<b>050493</b>	236	-	-	-	-	-	-
ES33/3547A Top Latch Kit	<b>050128</b>	212	-	-	-	-	-	-
* 33/3548A Top Latch Kit-(non EL)	<b>050494</b>	424	-	-	-	-	-	-
* EL33/3548A Top Latch Kit	<b>050516</b>	401	-	-	-	-	-	-
* 33/3548A Bottom Latch Kit	<b>050495</b>	456	-	-	-	-	-	-
33/3548A Latch Retrofit Kit-(non EL)	<b>050047</b>	711	-	-	-	-	-	-
33/3548A-F Latch Retrofit Kit-(non EL)	<b>050048</b>	711	-	-	-	-	-	-
EL33/3548A Latch Retrofit Kit	<b>050522</b>	711	-	-	-	-	-	-
EL33/3548A-F Latch Retrofit Kit	<b>050523</b>	711	-	-	-	-	-	-
33/3527A Latch Cover Kit w/Screws	050496	-	79	135	90	79	79	137
33/3527A Latch Cover Screw Pkg	<b>900850</b>	-	13	13	13	13	13	13
33/3527A Top Latch Compression Spring Pkg/10	090056	13	-	-	-	-	-	-
33/3527A PL Top Latch Spring Pkg/10	090057	13	-	-	-	-	-	-
33/3527A Top Latch Aux. Bolt Spring Pkg/10	090076	13	-	-	-	-	-	-
33/3527A-F AFL Strike Hole Plug	050509	12	-	-	-	-	-	-
33/3527A Latch Mtg Bracket Kit	050546	30	-	-	-	-	-	-
33/3527A Latch Screw Pkg	900589	13	-	-	-	-	-	-
33/3527A-F LBR Latch Mounting Package	900980	12	-	-	-	-	-	-
LBR Fire Latch/Strike Kit	050171	473	-	-	-	-	-	-
LBR Strike Plug & Screw Package	900973	13	-	-	-	-	-	-

\* For service replacement only. Refer to Retrofit Kits 050047, 050048, 050522 and 050523 to convert 33/3547, 33/3547A Device to 33/3548 OR 33A/3548A.

✓ US15 finish available with Series 35A, only

Items in **Bold print** indicate same part number is used for the old 33/35 Series devices.

Prices subject to change without notice.

(continued) **Parts - 33A/35A Series**

Description	Part. No.	Non-Finished	List Price					US3, US15, US26, 315
			US28	US26D	313	US10	US4	
<b>Vertical Latches</b>								
33/3547A Latch Mounting Bracket Kit	<b>109324</b>	58	-	-	-	-	-	-
33/3548A Latch Mounting Bracket Kit	<b>112868</b>	65	-	-	-	-	-	-
33/3547A Latch Brkt Mtg. Screw (Latch) Pkg/6	<b>090059</b>	13	-	-	-	-	-	-
33/3547A Latch Brkt Mtg. Screw (Door) Pkg/6	<b>090061</b>	13	-	-	-	-	-	-
33/3547A/48A Latch Linkage Pin Retaining Ring Pkg/10	<b>090063</b>	13	-	-	-	-	-	-
33/3547A Latch Link Pin Pkg/10	<b>090064</b>	13	-	-	-	-	-	-
33/3547A Bolt Return Spring Pkg/10	<b>090065</b>	13	-	-	-	-	-	-
33/3547A Top Latch Compression Spring Pkg/10	<b>090066</b>	12	-	-	-	-	-	-
33/3547A Rod Connecting Screw-Latch Pkg/2	090071	16	-	-	-	-	-	-
33/3548A Rod Connecting Screw-Latch Pkg/2	090072	16	-	-	-	-	-	-
<b>Vertical Rods</b>								
3327A Top Rod Kit	050512	-	81	-	95	111	111	111
3527A Top Rod Kit	050513	-	81	95	95	111	111	111
3327A Bottom Rod Kit	050514	-	81	-	95	111	111	111
3527A Bottom Rod Kit	050515	-	81	-	95	111	111	111
33/3547A/48A Adj. Top Rod Kit - 6'8"-8'4" Dr	050519	95	-	-	-	-	-	-
33/3547A/48A Bottom Rod Kit	050520	95	-	-	-	-	-	-
3327A One Piece Top Rod Kit - 8'	050650	-	239	239	239	152	121	239
3327A One Piece Top Rod Kit - 10'	050651	-	264	264	264	167	146	259
3327A One Piece Top Rod Kit - 12'	050652	-	280	280	280	185	172	290
3527A One Piece Top Rod Kit - 8'	050653	-	239	239	239	152	121	239
3527A One Piece Top Rod Kit - 10'	050654	-	264	264	264	167	146	259
3527A One Piece Top Rod Kit - 12'	050655	-	280	280	280	185	172	290
3327A Extension Rod 36" Kit	051807	-	30	30	30	30	30	30
3527A Extension Rod 36" Kit	051811	-	30	30	30	30	30	30
3327A Extension Rod 60" Kit	050643	-	266	-	266	310	302	323
3527A Extension Rod 60" Kit	050645	-	266	-	266	310	302	323
33/3547A/48A Extension Rod Kit - Adj 8'4"-10'	<b>051808</b>	30	-	-	-	-	-	-
33/3547A/48A Extension Rod Kit - Adj 10'-11'8"	050622	99	-	-	-	-	-	-
33/3547A/48A Extension Rod Kit - Adj 11'8"-13'4"	050623	111	-	-	-	-	-	-
33/3547A/48A Extension Rod Kit - Adj 13'4"-15'	050624	111	-	-	-	-	-	-
33/3527A Rod Guide Pkg	<b>105952</b>	-	83	125	87	87	87	125
33/3527A Rod Guide Mtg Pkg	<b>900565</b>	13	-	-	-	-	-	-
33/3527A Rod Roll Pin Pkg/10	090054	14	-	-	-	-	-	-

Items in **Bold print** indicate same part number is used for the old 33/35 Series devices.

Prices subject to change without notice.

# 33A/35A Series - Parts (continued)

Description	Part. No.	Non-Finished	List Price					US3, US15, US26, 315
			US28	US26D	313	US10	US4	
<b>Vertical Rods</b> (continued)								
33/3527A Rod Connector-Latch Pkg/2	090067	21	-	-	-	-	-	-
33/3527A Rod Connector-C/Case Pkg/2	090068	21	-	-	-	-	-	-
33/3547A Ratchet Release Pkg	<b>106222</b>	-	140	-	140	140	140	-
33/3547A Ratchet Release Spacer 1/8"	970978	-	22	-	22	22	22	-
33/3547A Ratchet Lever Spring Pkg/2	<b>090069</b>	12	-	-	-	-	-	-
33/3547A Ratchet Release Screw Pkg/2	<b>090070</b>	16	-	-	-	-	-	-
33/3547A Rod Adjusting Pkg	900620	22	-	-	-	-	-	-
33/3547A 1/4" Insulclad Kit 1 3/4" Dr	050398	69	-	-	-	-	-	-
33/3547A 1/2" Insulclad Kit 1 3/4" Dr	050399	69	-	-	-	-	-	-

✓ US15 finish available with Series 35A, only

## Quiet Mechanical Retrofit Kits

QM Rim Device Kit (98/99, 33A/35A)	47259560	191	-	-	-	-	-	-
QM SVR Device Kit (98/9927, 33/3527A)	47263418	191	-	-	-	-	-	-

Items in **Bold print** indicate same part number is used for the old 33/35 series devices.

Prices subject to change without notice.

# Parts - 33A/3549A Series

Description	Part No.	List Price
<b>Vertical Latches</b>		
49 Top Latch Assembly	24090110	263
49 Bottom Latch Assembly	24090128	284
49 LBL-AFL Fire Pin Kit	051860	156

## Centerslide Kits

33/3549 Centerslide Kit	24090136	404
-------------------------	----------	-----

## 49 Cable\*

Top Cable Assembly	Door Opening Heights 6'0" to 6'10"	47250398	229
Top Cable Assembly	Door Opening Heights 6'10" to 8'0"	47250175	229
Top Cable Assembly	Door Opening Heights >8'0" to 9'2"	47250176	229
Top Cable Assembly	Door Opening Heights >9'2" to 10'4"	47250177	229
Bottom Cable Assembly	Door Opening Heights 6'0" to 6'10"	47250403	229
Bottom Cable Assembly	Door Opening Heights 6'10" to 8'0"	47250178	229
Bottom Cable Assembly	Door Opening Heights >8'0" to 9'2"	47250179	229
Bottom Cable Assembly	Door Opening Heights >9'2" to 10'4"	47250180	229
Replacement Cable Kit (10' core wire, end fitting, and sizing templates)		47250968	95

For door opening heights more than 10', consult factory.

Consult customer support for non-standard center lines or if a threshold is installed.

\* For Complete 49 Cable System kits, see Page 37.

## Mounting Packages

49 Bottom Mounting Package	23946437	72
49 Top Mounting Package	23946429	49
33/3549A HM/AL Centerside Mounting Package	23946460	32

## Misc.

Cable Removal Tool - qty 1	24052979	15
Cable Removal Tool - Pkg/10	24090706	121
338 Filler Plate	24230914	91
Spacer Block Kit 3/4" undercut	24231516	31
Damper Assembly 996	47259557	64

Prices subject to change without notice.

# 33/3550AWDC Series - Parts

Description	Part. No.	List Price
<b>Vertical Latches</b>		
Top Latch Kit with mounting pack	48968820	369.00
Bottom Latch Kit with mounting pack	48968838	309.00
<b>Centerslide Kits</b>		
3350A-WDC Centerslide kit with mounting pack	48973309	606.00
<b>Fire Kits</b>		
33/3550AWDC-F Fire Kit (fire barrier, intumescent for scalp plate and barrier, mounting packs)	48968879	314.00
<b>Mounting Kit</b>		
Top, Bottom, and centerslide Mounting Pkg	24685505	32.00
Top Latch Mounting Kit	49000409	13.00
Bottom Latch Mounting Kit	49000391	13.00
<b>Cables</b>		
Top Cable 6'8"-7'0" WDC	24648180	56.00
Top Cable 7'1"-8'0" WDC	24647273	56.00
Top Cable 8'740" WDC	24647281	63.00
Top Cable 9'7-10'0" WDC	24647299	63.00
Bottom Cable WDC	24647265	56.00
<b>Fire Pin Kit</b>		
50WDC Fire pin Kit ( current fire pin, fire pin sleeve, fire pin strike)	48968887	167.00
<b>Lift Finger Kit</b>		
3350AWDC Lift Finger Kit	24685562	93.00

Prices subject to change without notice.



# Parts - 330/350 Series

Description	Part. No.	Non-Finished	List Price					US3, US26, 315
			US28	US26D	313	US10	US4	
<b>End Cap</b>								
330/350 End Cap Kit for Lock Stile	050014	–	83	92	83	103	93	93
RX330/350 End Cap Mtg Bracket for Lock Stile	050524	12	–	–	–	–	–	–

## Push Bar

* 33A/35A Push Bar Retrofit Kit - 3' Dr	See Note	–	214	253	233	346	335	396
* 33A/35A Push Bar Retrofit Kit - 4' Dr	See Note	–	231	278	249	362	346	410
33A/35A Push Bar Guide Pkg/10	090049	14	–	–	–	–	–	–

\* **Note:** To order, specify device type, size, finish. Example: PBKIT 33A 3' US28  
Push Bar Assemblies are for the SS & RX 330/350 only. Push bars can not be replaced on the standard 330/350 Dummy Push Bar.

33A Fire or Less Dogging Cover Plate Kit	050133	–	46	–	46	46	46	46
35A Fire or Less Dogging Cover Plate Kit	050109	–	46	–	46	46	46	46
RX/SS 330/350 Spacer Pkg/2	090047	28	–	–	–	–	–	–
RX/SS 330/350 Baseplate Bearing Strip Pkg/2	090048	13	–	–	–	–	–	–

## Screw Packs

330/350 Push Bar 1 3/4" Door	900835	13	–	–	–	–	–	–
330/350 Push Bar 2 1/4" Door	900836	13	–	–	–	–	–	–
230/990DT x 330/350 1 3/4" Dr	050140	–	–	16	16	16	16	16
230/990DT x 330/350 2 1/4" Dr	050141	–	–	16	16	16	16	16
696/697DT x 330/350 1 3/4" Dr	050142	–	–	16	16	16	16	16
696/697DT x 330/350 2 1/4" Dr	050143	–	–	16	16	16	16	16

Prices subject to change without notice.

# 55 Series - Parts

Description	Part. No.	Non-Finished	List Price			US3, US26, SPBLK
			US10B, US26D	US10	US4	
<b>Center Case Kits (includes mounting screws)</b>						
55EO Center Case Kit	050183	–	864	933	864	1098
55NL Center Case Kit	050184	–	926	1046	926	1160
5575 Center Case RHR Kit	050185	–	551	614	551	702
5575 Center Case LHR Kit	050186	–	551	614	551	702
5575-F Center Case RHR Kit	050187	–	612	679	612	766
5575-F Center Case LHR Kit	050188	–	612	679	612	766
5547 RHR Center Case Kit	050189	–	551	614	551	702
5547 LHR Center Case Kit	050191	–	551	614	551	702
5547-F RHR Center Case Kit	050192	–	612	679	612	766
5547-F LHR Center Case Kit	050193	–	612	679	612	766
5547WDC RHR Center Case Kit	050194	–	612	679	612	766
5547WDC LHR Center Case Kit	050195	–	612	679	612	766

## Center Case Parts - Rim

55CK-NL Conversion Kit (Order Trim Separate)	050105	57	–	–	–	–
55 Rim Backplate w/Screws	050332	–	74	79	74	79
55 Case Bushing	050333	16	–	–	–	–
55 Rim Spring Clip w/Screws	050334	24	–	–	–	–
55 Rim Latch Bolt w/Axle and Spring	050352	163	–	–	–	–
55 Rim Latch Bolt Axle	050353	13	–	–	–	–
55 Rim Latch Bolt Spring	050354	13	–	–	–	–
55NL CAM RH	050355	37	–	–	–	–
55NL CAM LH	050356	37	–	–	–	–
55 Axle Retainer Pkg/2	090023	29	–	–	–	–
55 Spring Anchor Screw Pkg/10	090024	11	–	–	–	–
55 Backplate Screw Pkg/10	090025	11	–	–	–	–
55 Rim Center Case Retaining Screw Pkg/2	090022	46	–	–	–	–
55 Rim Center Case Retaining Screw Pkg/10	090050	208	–	–	–	–
55 Rim Center Case Mounting Pkg	900507	–	13	13	13	13
55 Rim 2" Dr SNB Mounting Pkg	900512	–	13	13	13	13

## Center Case Parts - 5547

5547 Control Lever	050357	52	–	–	–	–
55 Retaining Screw Pkg/10	090051	208	–	–	–	–
55 Retaining Screw Pkg/2	090026	46	–	–	–	–
55 Case Bushing	050333	16	–	–	–	–
5547 Center Case Mounting Pkg	900508	–	13	13	13	13
5547 2" Dr SNB Mounting Pkg	900514	–	13	13	13	13
5547 Blind Fastener Package	900539	47	–	–	–	–

Prices subject to change without notice.

Description	Part. No.	Non-Finished	List Price			US3, US26, SPBLK
			US10B, US26D	US10	US4	
<b>Center Case Kits – 5547-F/5547WDC/5575/5575-F</b>						
5547-F/47WDC/75/75F Lift Member	050360	111	–	–	–	–
5547-F/47WDC Lift Member Channel	050359	41	–	–	–	–
5547/47-F Latch Release Spring	050362	13	–	–	–	–
5547-F/47WDC Spring Anchor	050363	16	–	–	–	–
5547-F/47WDC Lift Member Lever	050358	55	–	–	–	–
55 Case Bushing	050333	16	–	–	–	–
55 Retaining Screw Pkg/10	090051	208	–	–	–	–
55 Retaining Screw Pkg/2	090026	46	–	–	–	–
55 Spring Anchor Screw Pkg/10	090024	11	–	–	–	–
Lift Member Guide Screw Pkg/10	090027	11	–	–	–	–
5547-F/5575/75-F Center Case Mounting Pkg	900509	–	13	13	13	13
5547WDC Center Case Mounting Pkg	900507	–	13	13	13	13
5547WDC 2" Dr SNB Mounting Pkg	900512	–	13	13	13	13
5547/75 2" Dr SNB Mounting Pkg	900514	–	13	13	13	13
<b>Crossbars</b>						
42" Standard Crossbar Kit	050004	–	233	238	233	245
42" Knurled Crossbar Kit	050005	–	375	381	375	404
37" Crossbar Reinforcement Kit	050459	126	–	–	–	–
<b>End Case</b>						
55R/5575/5547 RHR End Case Kit	050196	–	372	404	372	526
55R/5575/5547 LHR End Case Kit	050197	–	372	404	372	526
5547/75-F RHR End Case Kit	050198	–	372	404	372	526
5547/75-F LHR End Case Kit	050199	–	372	404	372	526
RX5547/75/-F LHR End Case Kit	040000	–	700	734	700	859
RX5547/75/-F RHR End Case Kit	040001	–	700	734	700	859
55 Series End Case Backplate	050364	16	–	–	–	–
55 Retaining Screw Pkg/10	090051	208	–	–	–	–
55 Retaining Screw Pkg/2	090026	46	–	–	–	–
55 End Case Spring Pkg/20	090052	81	–	–	–	–
55 End Case Spring Pkg/4	090028	39	–	–	–	–
55 End Case Spring Lever	050366	46	–	–	–	–
55 Series End Case Mounting Pkg	900507	–	13	13	13	13
<b>Lever Arms</b>						
55 R/M/CV LH Lever Arm Kit	050112	–	398	424	346	455
55 R/M/CV RH Lever Arm Kit	050136	–	398	424	346	455
5547-F/75-F LH Lever Arm Kit	050137	–	398	424	346	455
5547-F/75-F RH Lever Arm Kit	050139	–	398	424	346	455
55 Wedgetite Screw Pkg/2	090008	11	–	–	–	–
55 Wedgetite Screw Pkg/30	090081	55	–	–	–	–
Crossbar Tube Attaching Wedge Pkg/2	090020	13	–	–	–	–
Crossbar Tube Attaching Ring Pkg/2	090021	16	–	–	–	–
55 Dog Screw Pkg/2	090029	24	–	–	–	–
55 Dog Screw Pkg/10	090053	74	–	–	–	–
227 Dog Key 5/32" Pkg/2	090005	21	–	–	–	–
227 Dog Key 5/32" Hex Pkg/10	090085	73	–	–	–	–
55 Series Special Hex Key (Reversing Pkg)	103866	13	–	–	–	–

Prices subject to change without notice.

# 55 Series - Parts (continued)

Description	Part. No.	Non-Finished	List Price			US3, US26, SPBLK
			US10B, US26D	US10	US4	
<b>Vertical Latches</b>						
5547-F Soffit Latch Kit	114141	210	-	-	-	-
5547-F Release Guide Cover w/Screws	050278	-	208	208	208	282
5547/47WDC Bottom Bracket Guide	050370	87	-	-	-	-
5547 Rod Connector Rivet Pkg/10	090011	11	-	-	-	-
5547WDC Top Plate Screw Pkg Pkg/10	090033	14	-	-	-	-
5547-F Plunger Release Brkt Screws Pkg/10	090034	-	22	22	22	22
5547-F Flush Tran. Release Screws Pkg/10	090035	-	16	16	16	16
5547/47WDC Top Plate	100316	127	-	-	-	-
5547 Soffit Latch Mounting Pkg	900502	11	-	-	-	-
5547-F Plunger Release Bracket	900576	-	85	85	85	85
5547-F Flush Transom Release Brkt w/Screws	900614	-	125	125	125	125
5547-F Top Latch Release Screws Pkg/20	PKGSRV.1018	13	-	-	-	-
<b>Vertical Rods</b>						
5547 Top Rod Kit 6'8"-8' Door	050053	405	-	-	-	-
5547-F Top Rod Kit 6'8"-8' Door	050457	-	405	405	405	405
5547WDC Top Rod Kit 6'8"-8' Door	050110	405	-	-	-	-
ES5547 Top Latch/Rod Serv Kit	050656	457	-	-	-	-
5547 Top Rod Kit 8'-10' Door	050372	431	-	-	-	-
5547-F Top Rod Kit 8'-10' Door	050373	-	431	431	431	431
5547WDC Top Rod Kit 8'-10' Door	050374	431	-	-	-	-
5547 Bottom Rod Kit	050036	405	-	-	-	-
5547-F Bottom Rod Kit	050458	405	-	-	-	-
5547WDC Bottom Rod Kit	050096	405	-	-	-	-
5547 Extension Rod Kit 8'-10' Door	051704	30	-	-	-	-
5547-F Extension Rod Kit 8'-10' Door	051705	30	-	-	-	-
5547WDC Extension Rod Kit 8'-10' Door	051707	30	-	-	-	-
5547 Extension Rod Kit 10'-12' Door	050631	98	-	-	-	-
5547-F Extension Rod Kit 10'-12' Door	050634	207	-	-	-	-
5547WDC Extension Rod Kit 10'-12' Door	050639	215	-	-	-	-
5547 Extension Rod Kit 12'-14' Door	050632	98	-	-	-	-
5547-F Extension Rod Kit 12'-14' Door	050635	207	-	-	-	-
5547WDC Extension Rod Kit 12'-14' Door	050640	215	-	-	-	-
5547 Extension Rod Kit 14'-16' Door	050633	98	-	-	-	-
5547-F Extension Rod Kit 14'-16' Door	050636	207	-	-	-	-
5547WDC Extension Rod Kit 14'-16' Door	050641	215	-	-	-	-
5547 Rod Control Housing	050367	368	-	-	-	-
5547 Top Rod Connector w/Pin	050368	49	-	-	-	-
5547 Bottom Rod Connector w/Pin	050369	46	-	-	-	-
5547-F Rod Guide Mounting Screws Pkg/10	090018	11	-	-	-	-
5547 Rod Connector Pin Pkg/2	090030	14	-	-	-	-
5547 Top Rod 1/8 x 5/8 Roll Pin Pkg/10	090032	11	-	-	-	-
5547WDC Latch Control	100315	392	-	-	-	-
5547-F Bottom Guide Package	100741	87	-	-	-	-
5547-F Rod Guide Package	105144	16	-	-	-	-
5547-F Rod Set Mounting Package	900541	11	-	-	-	-

Prices subject to change without notice.

# Parts - 88 Series

Description	Part. No.	Non-Finished	List Price				US3, US26, SPBLK
			SP28, SP313, SP4	US10B, US26D	US10	US4	
<b>Backplate Conversion Kits</b>							
88CK-NL Converts TP,K to NL - Panic	050101	-	-	58	60	54	62
88CK-TP Converts EO,DT,NL,K to TP - Panic	050102	-	-	71	75	67	81
88CK-K/L Converts EO,DT,NL,TP to K or L - Panic	050103	-	-	123	128	118	137
88CK-NL-F Converts TP,K to NL - Fire	050106	-	-	65	66	63	67
88CK-TP-F Converts EO,DT,NL,K to TP - Fire	050107	-	-	81	85	71	93
88CK-K/L-F Converts EO,DT,NL,TP to K or L - Fire	050108	-	-	123	128	121	137
8827CK-TP Converts EO,DT,K to TP - Panic or Fire	050104	220	-	-	-	-	-
8827CK-K/L-K/L-F Converts EO,DT,TP to K or L - Panic or Fire	050200	219	-	-	-	-	-
8827CK-K-NL/K-NL-F	050201	245	-	-	-	-	-
8827CK-TP-NL/TP-NL-F	050202	222	-	-	-	-	-
8827CK-EO/DT/TL	050447	37	-	-	-	-	-

## Center Case Kits (includes mounting screws)

88EO/DT/NL Rim Center Case Kit	050409	-	-	717	751	603	784
88TP Rim Center Case Kit	050410	-	-	717	751	603	784
88K/L RHR Center Case Kit	050411	-	-	717	751	603	784
88K/L LHR Center Case Kit	050412	-	-	717	751	603	784
8875 RHR Center Case Kit	050413	-	-	576	591	480	629
8875 LHR Center Case Kit	050414	-	-	576	591	480	629
8827EO/DT/TL Center Case Kit	050415	-	-	380	388	354	416
8827TP Center Case Kit	050416	-	-	505	516	440	526
8827K/L Center Case Kit	050417	-	-	633	663	541	688
8827TP-NL Center Case Kit	050418	-	-	505	516	440	526
8827K-NL Center Case Kit	050419	-	-	633	663	541	688
8875-F RHR Center Case Kit	050420	-	-	663	696	544	720
8875-F LHR Center Case Kit	050421	-	-	663	696	544	720
8847-F RHR Center Case Kit	050422	-	-	663	696	544	720
8847-F LHR Center Case Kit	050423	-	-	663	696	544	720
88EO-F/NL-F RHR Center Case Kit	050424	-	-	902	1067	1067	1128
88EO-F/NL-F LHR Center Case Kit	050425	-	-	902	1067	1067	1128

## Center Case Kits (includes mounting screws)

88TP-F RHR Center Case Kit	050426	-	-	935	1108	1108	1171
88TP-F LHR Center Case Kit	050427	-	-	935	1108	1108	1171
88K/L-F RHR Center Case Kit	050428	-	-	935	1108	1108	1171
88K/L-F LHR Center Case Kit	050429	-	-	935	1108	1108	1171
8827EO-F/TL-F Center Case Kit	050430	-	-	490	507	405	531
8827TP-F Center Case Kit	050431	-	-	711	744	592	778
8827K/L-F Center Case Kit	050432	-	-	746	781	629	815
8827TP-NL-F Center Case Kit	050433	-	-	688	722	565	750
8827K-NL-F Center Case Kit	050434	-	-	761	781	637	830

## Retrofit Cover Plates (for Falcon XX and CR ED600)

Cover Plate Pkg, 88 MORT/SVR	953001	-	36.00	-	-	-	-
Cover Plate Pkg, 88 RIM	953002	-	36.00	-	-	-	-

Prices subject to change without notice.

# 88 Series - Parts (continued)

Description	Part. No.	Non-Finished	List Price			US3, US26, SPBLK
			US10B, US26D	US10	US4	
<b>Center Case Parts - Rim</b>						
* 88 Thumbpiece Lift Replacement Kit	050019	81	-	-	-	-
88 Rim Auxiliary Backplate	050260	-	52	55	52	55
88-F Master Cam RH	050273	71	-	-	-	-
88-F Master Cam LH	050274	71	-	-	-	-
88-F Auxiliary Bolt RH	050275	58	-	-	-	-
88-F Auxiliary Bolt LH	050276	58	-	-	-	-
88 Cylinder Anchor Plate	050331	12	-	-	-	-
88 Latchbolt w/Axle Kit	050497	83	-	-	-	-
88-F Latchbolt w/Axle Kit	050498	87	-	-	-	-
88 Rim Latch Retainer Plate	050499	13	-	-	-	-
88 Rim Latch Tail, Spring, Rivet Kit	050500	55	-	-	-	-
88 Rim Latch Tail Spring Pkg/10	050393	12	-	-	-	-
88 Rim Master Cam	050501	30	-	-	-	-
88NL Cylinder Cam	050502	33	-	-	-	-
88NL-F Cylinder Cam	050503	30	-	-	-	-
88K/L-F Knob Cam Lift	050504	49	-	-	-	-
88K/L-F Cylinder Cam	050505	30	-	-	-	-
88K/L-F Knob Cam Bracket	050506	100	-	-	-	-
88TP/-F Cylinder Cam	050508	16	-	-	-	-
88 Rim Latch Bolt Axle Pkg/4	090001	13	-	-	-	-
88 Rim Center Case Rivet Pkg/10	090002	13	-	-	-	-
88-F Rim Gravity Dog Spring Pkg/5	090009	13	-	-	-	-
88K/L-F Retaining Ring Pkg/10	090015	13	-	-	-	-
88-F Auxiliary Bolt Return Spring Pkg/5	090017	13	-	-	-	-
Hex Socket Wrench 5/32"	113853	10	-	-	-	-
88 C/C or E/C Mtg Pkg (CS and MS)	900503	-	14	14	14	14
88 C/C or E/C Mtg Pkg (CS Screws)	900504	-	13	13	13	13
88 C/C or E/C Mtg Pkg (MS Scr 1-3/4" Dr)	900505	-	12	12	12	12
88 C/C or E/C Mtg Pkg (MS Scr 2-1/4" Dr)	900506	-	12	12	12	12
88 Rim Latch Retainer Plate Screw Pkg/10	900610	13	-	-	-	-
88 Backplate Screw Pkg/4	900613	13	-	-	-	-

\* For 88TP/TP-F devices shipped after June 2000. For devices shipped before June 2000, replace 050102 for 88TP or 050107 for 88TP-F.

Prices subject to change without notice.

Description	Part. No.	Non-Finished	List Price			
			US10B, US26D	US10	US4	US3, US26, SPBLK
<b>Center Case Parts - Surface Vertical</b>						
88 Cylinder Anchor Plate	050331	12	-	-	-	-
8827/27-F Rod Control	050446	100	-	-	-	-
8827K/K-NL/TP/TP-NL/-F Cylinder Cam	050448	30	-	-	-	-
8827K/K-NL/-F Knob Hub	050449	111	-	-	-	-
8827K-NL/TP-NL Backplate Pin Pkg/2	090012	24	-	-	-	-
8827/27-F Rod Control Pin Pkg/2	090016	13	-	-	-	-
88 C/C or E/C Mtg Pkg (CS and MS)	900503	-	14	14	14	14
88 C/C or E/C Mtg Pkg (CS Screws)	900504	-	13	13	13	13
88 C/C or E/C Mtg Pkg (MS Scr 1-3/4" Dr)	900505	-	12	12	12	12
88 C/C or E/C Mtg Pkg (MS Scr 2-1/4" Dr)	900506	-	12	12	12	12
8827 Backplate Screw Pkg	900615	13	-	-	-	-
<b>Center Case Parts - Concealed Vertical/Mortise</b>						
8847-F/75/75-F Latch Control LH	050209	199	-	-	-	-
8847-F/75/75-F Latch Control RH	050210	199	-	-	-	-
8847-F/75/75-F Backplate w/Screws	050211	16	-	-	-	-
88 Cylinder Anchor Plate	050331	12	-	-	-	-
8847/75-F Flat Point Set Screw Pkg/5	090013	15	-	-	-	-
8847-F/75/75-F C/Case Spring Pkg/2	090014	13	-	-	-	-
88 C/C or E/C Mtg Pkg (CS and MS)	900503	-	14	14	14	14
88 C/C or E/C Mtg Pkg (CS Screws)	900504	-	13	13	13	13
88 C/C or E/C Mtg Pkg (MS Scr 1-3/4" Dr)	900505	-	12	12	12	12
88 C/C or E/C Mtg Pkg (MS Scr 2-1/4" Dr)	900506	-	12	12	12	12
8827 Backplate Screw Pkg	900615	13	-	-	-	-
<b>Crossbars</b>						
42" Standard Crossbar Kit	050004	-	233	238	233	245
42" Knurled Crossbar Kit	050005	-	375	381	375	404
37" Crossbar Reinforcement Kit	050459	126	-	-	-	-

Prices subject to change without notice.

# 88 Series - Parts (continued)

Description	Part. No.	Non-Finished	List Price			
			US10B, US26D	US10	US4	US3, US26, SPBLK
<b>End Case</b>						
88 R/M/V End Case Kit	050435	–	245	266	208	282
8827-F/8875-F/8847-F End Case Kit	050436	–	332	345	280	369
88-F Rim End Case Kit	050437	–	290	313	245	340
88 RX Subminiature Switch	968938	34	–	–	–	–
88 End Case Spring Pkg/10	090080	55	–	–	–	–
88 End Case Spring Pkg/2	090003	14	–	–	–	–
88 End Case Spring Stop Kit	050451	16	–	–	–	–
88-F End Case Spring Stop Kit	050452	16	–	–	–	–
88/88-F End Case Spring Tube	050476	13	–	–	–	–
88/88-F Spring Tube Bracket w/Screws Kit	050477	13	–	–	–	–
88 C/C or E/C Mtg Pkg (CS and MS)	900503	–	14	14	14	14
88 C/C or E/C Mtg Pkg (CS Screws)	900504	–	13	13	13	13
88 C/C or E/C Mtg Pkg (MS Scr 1-3/4" Dr)	900505	–	12	12	12	12
88 C/C or E/C Mtg Pkg (MS Scr 2-1/4" Dr)	900506	–	12	12	12	12

## Lever Arms

88 R/M/V RH Lever Arm Kit	050438	–	194	204	164	208
88 R/M/V LH Lever Arm Kit	050439	–	194	204	164	208
88-F Rim RH Lever Arm Kit	050440	–	264	271	233	280
88-F Rim LH Lever Arm Kit	050441	–	264	271	233	280
8827-F/47-F RH Lever Arm Kit	050442	–	264	271	233	280
8827-F/47-F LH Lever Arm Kit	050443	–	264	271	233	280
8875-F RH Lever Arm Kit	050444	–	264	271	233	280
8875-F LH Lever Arm Kit	050445	–	264	271	233	280
Axle Security Pin Pkg/50	033022	57	–	–	–	–
Axle Security Pin Pkg/10	090007	16	–	–	–	–
Dog Screw Pkg/2	090004	22	–	–	–	–
Dog Screw Pkg/10	090083	75	–	–	–	–
227 Dog Key 5/32" Pkg/2	090005	21	–	–	–	–
227 Dog Key 5/32" Pkg/10	090085	73	–	–	–	–
Lever Arm Axles Pkg/2	090006	33	–	–	–	–
Lever Arm Axles Pkg/10	090082	149	–	–	–	–
Wedgetite Screw Pkg/2	090008	11	–	–	–	–
Wedgetite Screws Pkg/30	090081	55	–	–	–	–
Crossbar Tube Attaching Wedge Pkg/2	090020	13	–	–	–	–
Crossbar Tube Attaching Ring Pkg/2	090021	16	–	–	–	–
88 Lever Arm Axle Package	103865	71	–	–	–	–

Prices subject to change without notice.



Description	Part. No.	Non-Finished	List Price			US3, US26, SPBLK
			US10B, US26D	US10	US4	
<b>Vertical Latches</b>						
8827 LR Top Latch Kit Less Cover	050460	211	-	-	-	-
8827 LR Bottom Latch Kit Less Cover	050461	211	-	-	-	-
8827-F Top Latch Kit Less Cover	050462	242	-	-	-	-
8827-F Bottom Latch Kit Less Cover	050463	242	-	-	-	-
8827 PL Top Latch Kit Less Cover	050471	140	-	-	-	-
8827 PL Bottom Latch Kit Less Cover	050472	140	-	-	-	-
8827-F/47-F Soffit Latch Kit	114141	210	-	-	-	-
8827 LR Top Latch Kit w/Cover	050466	-	312	322	312	333
8827 LR Bottom Latch Kit w/Cover	050467	-	312	322	312	333
8827-F Top Latch Kit w/Cover	050468	-	382	397	377	431
8827-F Bottom Latch Kit w/Cover	050469	-	382	397	377	431
8827 PL Top Latch Kit w/Cover	050473	-	242	249	234	288
8827 PL Bottom Latch Kit w/Cover	050479	-	242	249	234	288
8827-F Flush Transom Latch Kit w/Cover	050480	-	397	427	397	443
8827 Latch Cover Kit	050464	-	87	95	87	111
8827-F Top Latch Cover Kit	050465	-	135	140	127	179
8827-F Flush Transom Latch Cover Kit	050481	-	187	196	187	210
8827 Latch Special Chassis Nut	050277	13	-	-	-	-
8847-F Release Guide Cover w/Screws	050278	-	208	208	208	282
8827 LR Top Rod Connector	050279	16	-	-	-	-
8827 LR Bottom Rod Connector	050327	16	-	-	-	-
8827 Chassis Tie Rod	050328	13	-	-	-	-
8827-F Special Chassis Hex Stud	050478	13	-	-	-	-
8827-F Plunger Release Bracket	107765	-	74	74	65	74
8827 Latch Case Mounting Package	900501	11	-	-	-	-
8827/47-F Soffit Latch Mounting Package	900502	11	-	-	-	-
8847-F Plunger Release Bracket Package	900576	-	85	85	85	85
8847-F Flush Transom Release Brkt Pkg	900614	-	125	125	125	125
8827 Latch Case Cover Screw Package	900850	-	13	13	13	13
8827-F Flush Transom Latch Screw Pkg	900852	-	33	33	33	33

Prices subject to change without notice.

# 88 Series - Parts (continued)

Description	Part. No.	Non-Finished	List Price				US3, US26, SPBLK
			US26D	US10B	US10	US4	
<b>Vertical Rods</b>							
8827 Top Rod Kit	050453	-	111	111	129	111	142
8827-F Top Rod Kit	050454	-	111	111	129	111	142
8827 Bottom Rod Kit	050455	-	111	111	129	111	142
8827-F Bottom Rod Kit	050456	-	111	111	129	111	142
8847-F Top Rod Kit - 6'8"-8' Door	050457	-	405	405	405	405	405
8847-F Bottom Rod Kit	050458	405	-	-	-	-	-
8827 One Piece Top Rod - 8'	050662	-	138	197	213	172	427
8827-F One Piece Top Rod - 8'	050663	-	138	197	213	172	427
8827 12" Extension Rod Kit	051701	-	30	30	30	30	30
8827 24" Extension Rod Kit	051703	-	30	30	30	30	30
8827 36" Extension Rod Kit	050660	-	92	140	103	88	314
8827 48" Extension Rod Kit	050661	-	107	156	125	103	330
8847-F Extension Rod Kit - 8'-10' Door	051705	30	-	-	-	-	-
8847-F Extension Rod Kit - 10'-12' Door	050634	207	-	-	-	-	-
8847-F Extension Rod Kit - 12'-14' Door	050635	207	-	-	-	-	-
8847-F Extension Rod Kit - 14'-16' Door	050636	207	-	-	-	-	-
8827 Extension Rod Coupling	050093	16	-	-	-	-	-
8827 Rod Guide Kit	050482	-	81	81	83	79	83
8827/27-F Bottom Rod Roll Pin Pkg/10	090010	14	-	-	-	-	-
8847/47-F Rod Connector Rivet Pkg/10	090011	11	-	-	-	-	-
8847-F Rod Guide Mtg. Screws Pkg/10	090018	11	-	-	-	-	-
8847-F Bottom Guide Package	100741	87	-	-	-	-	-
8847-F Rod Guide Kit	105140	24	-	-	-	-	-
8827 Rod Guide Mounting Package	900534	-	13	13	21	13	21
8847-F Rod Set Mounting Package	900541	11	-	-	-	-	-
8827 PL Top Rod Connector	967341	14	-	-	-	-	-

Prices subject to change without notice.

# Parts - 98/99 Series

Description	Part. No.	Non-Finished	List Price					US3, ✓US15, US26, 643E
			US28, 313, 315	US26D	✓US32D	US10	US4	
<b>Center Case</b>								
98/99 Rim Center Case Kit Less Cover	050020	465	-	-	-	-	-	-
98/99-F Rim Center Case Kit Less Cover	050026	487	-	-	-	-	-	-
98/9927/-F Center Case Kit Less Cover	050021	251	-	-	-	-	-	-
98/9947/48/-F Center Case Kit Less Cover	050022	644	-	-	-	-	-	-
98/9975/-F Center Case Kit Less Cover	050023	180	-	-	-	-	-	-
98/99-2 RHR Center Case Kit Less Cover	050024	799	-	-	-	-	-	-
98/99-2 LHR Center Case Kit Less Cover	050025	799	-	-	-	-	-	-
98/99-F-2 RHR Center Case Kit Less Cover	050027	810	-	-	-	-	-	-
98/99-F-2 LHR Center Case Kit Less Cover	050028	810	-	-	-	-	-	-
98/9975-2 RHR Center Case Kit Less Cover	050029	311	-	-	-	-	-	-
98/9975-2 LHR Center Case Kit Less Cover	050030	311	-	-	-	-	-	-
SD98/99/57 RHR Rim Center Case Kit Less Cover	050548	778	-	-	-	-	-	-
SD98/99/57 LHR Rim Center Case Kit Less Cover	050549	778	-	-	-	-	-	-
SD98/9927 RHR Center Case Kit Less Cover	050550	572	-	-	-	-	-	-
SD98/9927 LHR Center Case Kit Less Cover	050551	572	-	-	-	-	-	-
SD98/9947/48/49 RHR Center Case Kit Less Cover	050552	799	-	-	-	-	-	-
SD98/9947/48/49 LHR Center Case Kit Less Cover	050553	799	-	-	-	-	-	-
WS98/9927 Center Case RHR Less Cover	101024	465	-	-	-	-	-	-
WS98/9927 Center Case LHR Less Cover	101023	465	-	-	-	-	-	-
WS98/9957 Center Case RHR Less Cover	24086894	465	-	-	-	-	-	-
WS98/9957 Center Case LHR Less Cover	24086860	465	-	-	-	-	-	-
SD98/99 Rim Conversion Kit RHR	050386	-	1,123	1,181	1,228	1,228	1,181	1,239
SD98/99 Rim Conversion Kit LHR	050387	-	1,123	1,181	1,228	1,228	1,181	1,239
98/99-2 Conversion Kit RHR	050388	-	1,123	1,181	1,228	1,228	1,181	1,239
98/99-2 Conversion Kit LHR	050389	-	1,123	1,181	1,228	1,228	1,181	1,239
98/99-F-2 Conversion Kit RHR	050886	-	1,314	1,374	1,419	1,419	1,374	1,431
98/99-F-2 Conversion Kit LHR	050885	-	1,314	1,374	1,419	1,419	1,374	1,431
98/99-2SI Conversion Kit RHR	051883	-	1,379	1,440	1,483	1,483	1,483	1,497
98/99-2SI Conversion Kit LHR	051884	-	1,379	1,440	1,483	1,483	1,483	1,497
98/99-F-2SI Conversion Kit RHR	050884	-	1,571	1,632	1,675	1,675	1,632	1,689
98/99-F-2SI Conversion Kit LHR	050883	-	1,571	1,632	1,675	1,675	1,632	1,689
98/99-2SI Center Case Cover Kit RHR	050831	-	196	227	255	227	227	271
98/99-2SI Center Case Cover Kit LHR	050832	-	196	227	255	227	227	271
98/99/-F Center Case Cover Kit	050071	-	146	211	220	211	211	242
98/9927/27-F Center Case Cover Kit	050072	-	146	211	220	211	211	242
98/9947/47/49/75/75-F Center Case Cover Kit	050073	-	146	211	220	211	211	242
98/9957/-F Center Case Cover Kit	050554	-	146	211	220	211	211	242
98/99-2/SD RHR Center Case Cover Kit	050555	-	190	220	247	220	220	264
98/99-2/SD LHR Center Case Cover Kit	050556	-	190	220	247	220	220	264
98/9975-2 RHR Center Case Cover Kit	050557	-	190	220	247	220	220	264
98/9975-2 LHR Center Case Cover Kit	050558	-	190	220	247	220	220	264
CX-CD/SD98/9927 RHR Center Case Cover Kit	050559	-	190	220	247	220	220	264
CX-CD/SD98/9927 LHR Center Case Cover Kit	050560	-	190	220	247	220	220	264
CX-CD/SD98/9947 RHR Center Case Cover Kit	050562	-	190	220	247	220	220	264
CX-CD/SD98/9947 LHR Center Case Cover Kit	050563	-	190	220	247	220	220	264

For Antimicrobial Finishes add \$8.00 to list. ✓ US32D AND US15 finishes available with Series 98 only.

Prices subject to change without notice.

# 98/99 Series - Parts (continued)

Description	Part. No.	Non-Finished	List Price					
			US28, 313, 315	US26D	✓US32D	US10	US4	US3, ✓US15, US26, 643E
<b>Center Case</b> (continued)								
Control Link Pin Kit	050529	13	-	-	-	-	-	-
Retaining Ring Pkg/10	090107	13	-	-	-	-	-	-
Control Link Pin Pkg/10	090031	16	-	-	-	-	-	-
NL Drive Screw Pkg/10	090074	21	-	-	-	-	-	-
Latchbolt Pin Pkg/10	090079	13	-	-	-	-	-	-
Center Case Cover Bracket	050564	16	-	-	-	-	-	-
Center Case Reinforcing Bracket	050565	16	-	-	-	-	-	-
CD-CX/SD Cylinder Dog Housing	112409	-	149	149	-	149	-	149
CX-CD/SD Cylinder Dog Bracket Kit LHR	112456	81	-	-	-	-	-	-
CX-CD/SD Cylinder Dog Bracket Kit RHR	112455	81	-	-	-	-	-	-
98/99-2 Rim Cylinder Adaptor	114984	-	140	140	140	140	140	140
98/9975-2 LHR Cylinder Adaptor	113100	-	221	221	221	221	221	221
98/9975-2 RHR Cylinder Adaptor	113101	-	221	221	221	221	221	221
Center Case Cover Screws	900892	-	13	-	13	13	13	-
Center Case Cover Bearing Insert-Bracket	969889	13	-	-	-	-	-	-

## Cover Plate / Conversion Kits

99 Hex Dog Conversion Kit fits 3' to 4'	050114	-	75	-	-	75	75	75
98 Hex Dog Conversion Kit fits 3' to 4'	050117	-	75	-	75	75	75	75
99 CD Conversion Kit fits 3' to 4'	050115	-	100	-	-	100	100	100
98 CD Conversion Kit fits 3' to 4'	050132	-	100	-	100	100	100	100
98 CDSI Kit 3' / 4'	040078/040079	-	329	329	329	329	329	329
98 HDSI Kit 3' / 4'	040080/040081	-	237	237	237	237	237	237
99 CDSI Kit 3' / 4'	040082/040083	-	329	329	-	329	329	329
99 HDSI Kit 3' / 4'	040084/040085	-	237	237	-	237	237	237
CDSI/HDSI Configuration Pkg	900416	17	-	-	-	-	-	-
99 Fire or Less Dogging Cover Plate Kit fits 3' to 4'	050589	-	46	-	-	46	46	46
98 Fire or Less Dogging Cover Plate Kit fits 3' to 4'	050588	-	46	-	46	46	46	46
99 ALK Cover Plate Kit fits 3' to 4'	050569	-	110	-	-	110	110	110
98 ALK Cover Plate Kit fits 3' to 4'	050570	-	110	-	-	110	110	110
CX99 Cover Plate Kit fits 3' to 4'	040093	-	110	-	-	110	110	110
CX98 Cover Plate Kit fits 3' to 4'	040094	-	110	-	110	110	110	110
99 CI Kit 3'	050770	-	280	-	-	280	280	280
98 CI Kit 3'	050771	-	280	-	280	280	280	280
99 CI Kit 4'	050772	-	280	-	-	280	280	280
98 CI Kit 4'	050773	-	280	-	280	280	280	280
99 DI Kit 3'	050766	-	258	-	-	258	258	258
98 DI Kit 3'	050767	-	258	-	258	258	258	258
99 DI Kit 4'	050768	-	258	-	-	258	258	258
98 DI Kit 4'	050769	-	258	-	258	258	258	258
98/9947WDC Conversion Kit - Panic Only	050134	-	357	-	288	294	327	392

✓ US32D AND US15 finishes available with Series 98 only.  
For Antimicrobial Finishes add \$8.00 to list.

Prices subject to change without notice.

(continued) **Parts - 98/99 Series**

List Price

US3,  
✓US15,  
US26,  
315,  
643e

Description	Part. No.	Non-Finished	US28, 313	US26D	✓US32D	US10	US4	US3, ✓US15, US26, 315, 643e
<b>End Cap</b>								
98/99 Impact Resistant End Cap Kit	050014	–	83	92	103	103	93	93
98/99 Impact Resistant End Cap Scr Pkg	900597	–	–	13	13	16	13	13
98/99 Impact Resistant End Cap Bracket	050524	12	–	–	–	–	–	–

**Push Bar**

* 98/99 Push Bar Retrofit Kit - 3' Dr	See Note	–	214	253	385	346	335	396
* 98/99 Push Bar Retrofit Kit - 4' Dr	See Note	–	231	278	401	362	346	410
98/99 Push Bar Guide Pkg/10	090049	14	–	–	–	–	–	–

\* To order, specify device type, size, finish. Example: PBKIT 99 3' US28

Mechanism Case	Part. No.	Non-Finished	SP313, 315, US28,	US26D	✓US32D	US10	US4	US3, ✓US15, US26
99 Series Mechanism Case - 3' Door	968144	–	149	–	–	186	186	212
99 Series Mechanism Case - 4' Door	968146	–	212	–	–	244	244	276
98 Series Mechanism Case - 3' Door	970191	–	149	–	194	186	186	212
98 Series Mechanism Case - 4' Door	970192	–	212	–	260	244	244	276
CD/SS Cylinder Mtg Kit	107813	–	–	62	–	65	65	71
CD/SS Cylinder Locating Washer Pkg	050490	16	–	–	–	–	–	–
CD/SS Mortise Cylinder Collar Pkg	050525	–	–	46	–	56	46	56
CD/SS Cylinder Lock Nut Pkg	050526	14	–	–	–	–	–	–
CD Actuator Pkg/2	090045	13	–	–	–	–	–	–
CD Dogging Plug Pkg/2	090046	12	–	–	–	–	–	–
227 Dog Key 5/32" Pkg/10	090085	73	–	–	–	–	–	–
Mechanism Case Brkt Screw Pkg/10	090073	11	–	–	–	–	–	–
98/99 Rim/75 98/9927-F Mtg. Pkg. 1 3/4"-2 1/4" Dr	900561	13	–	–	–	–	–	–
98/99 Rim, 98/9927-F Mtg. Pkg. >2 1/4"-2 3/4" Dr	900424	91	–	–	–	–	–	–
98/99 Rim, 98/9927-F Mtg. Pkg. >2 3/4"-3 1/4" Dr	900425	91	–	–	–	–	–	–
98/99 Rim, 98/9927-F Mtg. Pkg. >3 1/4"-3 3/4" Dr	900426	91	–	–	–	–	–	–
98/99 Rim, 98/9927-F Mtg. Pkg. >3 3/4"-4 1/4" Dr	900427	91	–	–	–	–	–	–
98/9927/27-F Mtg. Pkg. 2 1/4" Door	900568	<b>13</b>	–	–	–	–	–	–

✓ US32D AND US15 finishes available with Series 98 only.  
For Antimicrobial Finishes add \$8.00 list

Prices subject to change without notice.

# 98/99 Series - Parts (continued)

Description	Part. No.	Non-Finished	List Price	
			US28, 313 US10, US4	US3, US26, 643E
<b>Baseplate</b>				
Shock Absorber Pkg	050491	32	-	-
Baseplate Screw Pkg/10	090037	12	-	-
Baseplate Bumper Pkg/4	090038	12	-	-
Baseplate Return Spring Pkg/10	090039	13	-	-
Hex Dogging Shaft Pkg/2	090040	13	-	-
Dogging Spring Pkg/2	090041	12	-	-
Dogging Adaptor Spring Pkg/2	090042	16	-	-
Dogging Adaptor Pkg/2	090043	13	-	-
Dogging Hook Pkg/2	090044	13	-	-
Baseplate Bearing Strip Pkg/2	090048	13	-	-
227 Dog Key 5/32" Pkg/2	090005	21	-	-
227 Dog Key 5/32" Pkg/10	090085	73	-	-
98/9927-F LBR Latch Spring Pkg/10	090088	22	-	-
EL Dogging Rod Kit - 3'	050531	64	-	-
EL Dogging Rod Kit - 4'	050532	64	-	-
EL 6' Cable and Connector	110388	49	-	-
EL Potted Circuit Breaker	050534	314	-	-
EL Solenoid/Plunger	050535	357	-	-
HD-EL Solenoid	050536	357	-	-
HD-EL Solenoid Plunger	050537	131	-	-
EL Dogging Rod Retainer	050538	14	-	-
EL Receptacle Connector	050539	13	-	-
EL Female Terminal	050540	13	-	-
HD-EL Dog Screw	050541	16	-	-
HD-EL Solenoid Bracket	050542	29	-	-
HD-EL Dogging Spring	050543	16	-	-
SS Cable	050544	140	-	-
SS Housing	050545	468	-	-
CX99-RCM Kit Less Module	040198	-	267	-
CX98-RCM Kit Less Module	040199	-	267	-
Chexit Wiring Assembly	040191	203	-	-
Sign 15 Second - Chexit/DE5300	113781	60	-	-
Sign 30 Second - Chexit/DE5300	113782	64	-	-

Prices subject to change without notice.

(continued) **Parts - 98/99 Series**

Description	Part. No.	Non-Finished	List Price					
			US28	US26D	US32, ✓US32D	313, 315	US4, US10	US3, ✓US15, US26, 643e
<b>Vertical Latches</b>								
* 98/9927/98/9957 Top Latch Retrofit Kit W/SNB	050091	-	149	149	149	149	149	149
* 98/9927/98/9957 Bottom Latch Retrofit Kit W/SNB	050090	-	149	149	149	149	149	149
98/9927/98/9957 Top Latch Kit Less Cover	050400	149	-	-	-	-	-	-
98/9927/98/9957 Bottom Latch Kit Less Cover	050401	149	-	-	-	-	-	-
98/9927/98/9957 Pullman Latch Kit Less Cover	050402	149	-	-	-	-	-	-
98/9947 Top Latch Kit	050492	290	-	-	-	-	-	-
98/9947 Bottom Latch Kit	050493	236	-	-	-	-	-	-
ES98/9947 Top Latch Kit	050128	212	-	-	-	-	-	-
** 98/9948 Top Latch Kit - (non EL)	050494	424	-	-	-	-	-	-
** EL98/9948 Top Latch Kit	050516	401	-	-	-	-	-	-
** 98/9948 Bottom Latch Kit	050495	456	-	-	-	-	-	-
98/9948 Latch Retrofit Kit - (non EL)	050047	711	-	-	-	-	-	-
98/9948-F Latch Retrofit Kit - (non EL)	050048	711	-	-	-	-	-	-
EL98/9948 Latch Retrofit Kit	050522	711	-	-	-	-	-	-
EL98/9948-F Latch Retrofit Kit	050523	711	-	-	-	-	-	-
98/9927/98/9957/27-F Latch Case Cover Kit	050566	-	56	71	82	56	65	75
98/9927/98/9957/27-F Latch Cover Screw Pkg.	900850	-	-	13	13	13	13	13
98/9927/98/9957 Top Latch Compression Spring Pkg/10	090056	13	-	-	-	-	-	-
98/9927/98/9957 Top Latch Spring Pkg/10	090057	13	-	-	-	-	-	-
98/9927/98/9957 Bolt Return Spring Pkg/10	090065	13	-	-	-	-	-	-
98/9927/98/9957 Top Latch Aux. Bolt Spring Pkg/10	090076	13	-	-	-	-	-	-
LBR Fire Latch/Strike Kit	050171	473	-	-	-	-	-	-
98/9927/98/9957-F AFL Strike Hole Plug	050509	12	-	-	-	-	-	-
98/9927/98/9957 Latch Mtg Bracket Kit	050546	30	-	-	-	-	-	-
98/9927/98/9957 Std 1-3/4"-2-1/4" Latch Mtg Pkg/4	900589	13	-	-	-	-	-	-
98/9927/98/9957 Latch Mtg. Pkg/2 for >2-1/4" - 2-3/4" Dr	900521	91	-	-	-	-	-	-
98/9927/98/9957 Latch Mtg. Pkg/2 for >2-3/4" - 3-1/4" Dr	900522	91	-	-	-	-	-	-
98/9927/98/9957 Latch Mtg. Pkg/2 for >3-1/4" - 3-3/4" Dr	900523	118	-	-	-	-	-	-
98/9927/98/9957 Latch Mtg. Pkg/2 for >3-3/4" - 4-1/4" Dr	900524	118	-	-	-	-	-	-
98/9927/98/9957-F LBR Latch Mounting Package	900980	12	-	-	-	-	-	-
WS98/9927 Soffit Release Bracket Package	900241	32	-	-	-	-	-	-
WS98/9927 Latch Mounting Package	900242	-	-	-	31	31	31	31
98/9947 Latch Mounting Bracket Kit	109324	58	-	-	-	-	-	-
** 98/9948 Latch Mounting Bracket Kit	112868	65	-	-	-	-	-	-
98/9947 Latch Brkt Mtg. Screw (Latch) Pkg/6	090059	13	-	-	-	-	-	-
98/9947 Latch Brkt Mtg. Screw (Door) Pkg/6	090061	13	-	-	-	-	-	-
98/9947/48 Latch Linkage Pin Retaining Ring Pkg/10	090063	13	-	-	-	-	-	-
98/9947 Latch Link Pin Pkg/10	090064	13	-	-	-	-	-	-
98/9947 Bolt Return Spring Pkg/10	090065	13	-	-	-	-	-	-
98/9947 Top Latch Compression Spring Pkg/10	090066	12	-	-	-	-	-	-
98/9947WDC/WDC-F Auxiliary Mtg. Package	900856	13	-	-	-	-	-	-
98/9947WDC Offset Link Pkg	900871	13	-	-	-	-	-	-
98/9927 RG/Latch Mtg. Pkg 2-1/4" - 2-3/4"	900527	-	-	107	-	130	170	-
98/9927 RG/Latch Mtg. Pkg 2-3/4" - 3-1/4"	900528	-	-	107	-	130	170	-
98/9927 RG/Latch Mtg. Pkg 3-1/4" - 3-3/4"	900529	-	-	130	-	152	186	-
98/9927 RG/Latch Mtg. Pkg 3-3/4" - 4-1/4"	900530	-	-	130	-	152	186	-

\* For Devices shipped before October, 1998

\*\*For service replacement only. Refer to Retrofit Kits 050047, 050048, 050522 and 050523 to convert 98/9947 Device to 98/9948.

✓ US32D AND US15 finishes available with Series 98 only.

Prices subject to change without notice.

# 98/99 Series - Parts (continued)

List Price

Description	Part. No.	Non-Finished	List Price								
			US28	US26D	✓US32D	313	315	US10	US4	US3, US26, 643E	✓US15
9927/9957 Top Rod Kit	050512	-	81	-	-	95	111	111	111	111	111
9827/9857 Top Rod Kit	050513	-	81	-	95	95	111	111	111	111	111
WS98/9927 Top Rod	101025	-	-	-	167	167	167	167	355	355	355
9927/9957 Bottom Rod Kit	050514	-	81	-	-	95	111	111	111	111	111
9827/9857 Bottom Rod Kit	050515	-	81	-	95	95	111	111	111	111	111
WS98/9927 Bottom Rod	101026	-	-	-	167	167	167	167	355	355	355
98/9947/48 Adj. Top Rod Kit - 6'8"-8'4" Dr	050574	95	-	-	-	-	-	-	-	-	-
98/9947/48 Bottom Rod Kit	050575	95	-	-	-	-	-	-	-	-	-
98/9947WDC Top Rod - 6'8"-8'4" Dr	050582	164	-	-	-	-	-	-	-	-	-
98/9947WDC Bottom Rod	050583	164	-	-	-	-	-	-	-	-	-
9927/9957 One Piece Top Rod Kit - 8'	050650	-	239	239	-	239	239	152	121	239	239
9927/9957 One Piece Top Rod Kit - 10'	050651	-	264	264	-	264	259	167	146	259	259
9927/9957 One Piece Top Rod Kit - 12'	050652	-	280	280	-	280	290	185	172	290	290
9827/9857 One Piece Top Rod Kit - 8'	050653	-	239	239	239	239	239	152	121	239	239
9827/9857 One Piece Top Rod Kit - 10'	050654	-	264	264	264	264	259	167	146	259	259
9827/9857 One Piece Top Rod Kit - 12'	050655	-	280	280	280	280	290	185	172	290	290
9927/9957 Extension Rod 36" Kit	051802	-	30	30	-	30	30	30	30	30	30
9827/9857 Extension Rod 36" Kit	051810	-	30	30	30	30	30	30	30	30	30
9927/9957 Extension Rod 60" Kit	050642	-	139	139	-	139	259	256	170	268	268
9827/9857 Extension Rod 60" Kit	050644	-	139	139	143	143	280	266	175	280	143
WS98/9927/57 Extension Rod 12" Kit	051812	-	-	-	30	30	30	30	30	30	30
98/9947/48 Extension Rod Kit - Adj 8'4"-10'	051808	30	-	-	-	-	-	-	-	-	-
98/9947/48 Extension Rod Kit - Adj 10'-11'8"	050622	99	-	-	-	-	-	-	-	-	-
98/9947/48 Extension Rod Kit - Adj 11'8"-13'4"	050623	111	-	-	-	-	-	-	-	-	-
98/9947/48 Extension Rod Kit - Adj 13'4"-15'	050624	111	-	-	-	-	-	-	-	-	-
98/9927/98/9957-F Rod Guide Assembly	112063	-	55	65	65	55	55	85	85	129	129
98/9927/98/9957-F Rod Guide Mtg. Package	900919	-	-	13	13	13	13	13	13	13	13
98/9927/98/9957 Rod Roll Pin Pkg/10	090054	14	-	-	-	-	-	-	-	-	-
98/9927/98/9957 Rod Connector-Latch Pkg/2	090067	21	-	-	-	-	-	-	-	-	-
98/9927/98/9957 Rod Connector-C/Case Pkg/2	090068	21	-	-	-	-	-	-	-	-	-
98/9927/98/9957 Top or Bottom Rod Connector	050547	11	-	-	-	-	-	-	-	-	-
* 98/9947 Rod Connecting Screw Pkg/2	090071	16	-	-	-	-	-	-	-	-	-
98/9948 Rod Connecting Screw Pkg/2	090072	16	-	-	-	-	-	-	-	-	-
98/9927/98/9957 Rod Extension Connector Pkg/4	090075	14	-	-	-	-	-	-	-	-	-
98/9947 Ratchet Release Kit	106222	-	140	-	140	140	140	140	140	-	-
98/9947 Ratchet Release Spacer 1/8"	970978	-	22	-	22	22	-	22	22	-	-
98/9947 Ratchet Lever Spring Pkg/2	090069	12	-	-	-	-	-	-	-	-	-
98/9947 Ratchet Release Screw Pkg/2	090070	16	-	-	-	-	-	-	-	-	-
98/9947 Rod Adjusting Package	900620	22	-	-	-	-	-	-	-	-	-
98/9947 Adjusting Screw LBR Package	900898	13	-	-	-	-	-	-	-	-	-
98/9947 1/2" Insulclad Kit	051841	269	-	-	-	-	-	-	-	-	-
98/9947 1/4" Insulclad Kit	051842	163	-	-	-	-	-	-	-	-	-

\* For Devices shipped after July, 1997

✓ US32D AND US15 finishes available with Series 98 only.

## Quiet Mechanical Retrofit Kits

QM Rim Device Kit (98/99, 33A/35A)	47259560	191	-	-	-	-	-	-	-	-
QM SVR Device Kit (98/9927, 3327A/3527A)	47263418	191	-	-	-	-	-	-	-	-
QM 996 -R/V trim Kit	47260610	221	-	-	-	-	-	-	-	-
Damper Assembly, 996	47259557	64	-	-	-	-	-	-	-	-

Prices subject to change without notice.



(continued) **Parts - 98/9949 Series**

Description	Part No.	List Price
<b>Vertical Latches</b>		
49 Top Latch Assembly	24090110	263.00
49 Bottom Latch Assembly	24090128	284.00

<b>Centerslide Kits</b>		
98/9949 Centerslide Kit	24090144	404.00

**49 Cable\***

Top Cable Assembly	Door Opening Heights 6'0" to 6'10"	47250398	229.00
Top Cable Assembly	Door Opening Heights 6'10" to 8'0"	47250175	229.00
Top Cable Assembly	Door Opening Heights >8'0" to 9'2"	47250176	229.00
Top Cable Assembly	Door Opening Heights >9'2" to 10'4"	47250177	229.00
Bottom Cable Assembly	Door Opening Heights 6'0" to 6'10"	47250403	229.00
Bottom Cable Assembly	Door Opening Heights 6'10" to 8'0"	47250178	229.00
Bottom Cable Assembly	Door Opening Heights >8'0" to 9'2"	47250179	229.00
Bottom Cable Assembly	Door Opening Heights >9'2" to 10'4"	47250180	229.00
Replacement Cable Kit (10' core wire, end fitting, and sizing templates)		47250968	95.00

For door opening heights more than 10', consult factory.  
Consult customer support for non-standard center lines or if a threshold is installed.

\* For Complete 49 Cable System kits, see Page 68.

**Mounting Packages**

49 Bottom Mounting Package	23946437	72.00
49 Top Mounting Package	23946429	49.00
98/9949 HM/AL Centerslide Mounting	23946445	32.00

**Misc.**

Cable Removal Tool - qty 1	24052979	15.00
Cable Removal Tool - Pkg/10	24090706	121.00
338 Filler Plate	24230914	91.00
Spacer Block Kit 3/4" undercut	24231516	31.00

Prices subject to change without notice.

# 98/9950WDC Series - Parts

Description	Part. No.	List Price
<b>Vertical Latches</b>		
Top Latch Kit with mounting pack	48968820	369
Bottom Latch Kit with mounting pack	48968838	309
<b>Centerslide Kits</b>		
9950WDC Centerslide kit with mounting pack	48973291	606
<b>Fire Kits</b>		
98/9950WDC-F Fire Kit (fire barrier, intumescent for scalp plate and barrier, mounting packs)	48968861	245
<b>Mounting Kit</b>		
Top ,Bottom, and centerslide Mounting Pkg	24685505	32
Top Latch Mounting Kit	49000409	13
Bottom Latch Mounting Kit	49000391	13
<b>Cables</b>		
Top Cable 6'8"-7'0" WDC	24648180	56
Top Cable 7'1"-8'0" WDC	24647273	56
Top Cable 8'1"-9'0" WDC	24647281	63
Top Cable 9'1"-10'0" WDC	24647299	63
Bottom Cable WDC	24647265	56
<b>Fire Pin Kit</b>		
50WDC Fire pin Kit ( current fire pin , fire pin sleeve, fire pin strike)	48968887	167
<b>Lift Finger Kit</b>		
98/9950WDC Finger Kit	47258386	73
98/9950WDC Lift Finger Retrofit Kit	47260629	152

Prices subject to change without notice.

# Parts - XP98/99 Series

Description	Part. No.	Non-Finished	US28, 313, 315	List Price					US3, US15, US26
				US26D	US32D	US10	US4		
<b>Center Case</b>									
XP98/99R Center Case Kit Less Cover	050689	517	-	-	-	-	-	-	-
XP98/99R/-F Center Case Kit Less Cover	050690	537	-	-	-	-	-	-	-
XP98/99/-F Center Case Cover Kit	050691	-	-	211	221	211	211	242	-
XP98/99/-F Center Case Cover Bracket	050692	29	-	-	-	-	-	-	-
<b>Retrofit Kits</b>									
XP99-909	050676	-	967	1002	1039	995	995	1,104	-
XP99-954	050675	-	1,075	1,110	1,146	1,104	1,104	1,190	-
XP98/99 Retrofit Kit Mounting Package	900297	23	-	-	-	-	-	-	-
XP98/99-2SI Conversion Kit RHR	090599	-	1,517	1,583	1,632	1,632	1,583	1,648	-
XP98/99-2SI Conversion Kit LHR	090600	-	1,517	1,583	1,632	1,632	1,583	1,648	-
XP98/99-2 Conversion Kit RHR	090601	-	1,234	1,301	1,350	1,350	1,301	1,364	-
XP98/99-2 Conversion Kit LHR	090602	-	1,234	1,301	1,350	1,350	1,301	1,364	-
XP98/99-F-2SI Conversion Kit RHR	090794	-	1,709	1,775	1,824	1,824	1,775	1,840	-
XP98/99-F-2SI Conversion Kit LHR	090795	-	1,709	1,775	1,824	1,824	1,775	1,840	-
XP98/99-F-2 Conversion Kit RHR	090796	-	1,426	1,492	1,543	1,543	1,492	1,556	-
XP98/99-F-2 Conversion Kit LHR	090797	-	1,426	1,492	1,543	1,543	1,492	1,556	-
<b>Mechanism Case</b>									
XP98/99 Rim Mtg. Pkg for >2-1/4" - 2-3/4" Dr	900424	91	-	-	-	-	-	-	-
XP98/99 Rim Mtg. Pkg for >2-3/4" - 3-1/4" Dr	900425	91	-	-	-	-	-	-	-
XP98/99 Rim Mtg. Pkg for >3-1/4" - 3-3/4" Dr	900426	91	-	-	-	-	-	-	-
XP98/99 Rim Mtg. Pkg for >3-3/4" - 4-1/4" Dr	900427	91	-	-	-	-	-	-	-

**US32D AND US15 finishes available with XP98 only.**

✓ US15 finish available with Series 35 and 98 controls only

Prices subject to change without notice.

# 94/95 INPACT Series - Parts

Description	Part. No.	Non-Finished
<b>Center Case</b>		
94/9547/48/75 Center Case	CASE.107	243
Control Link Pin Kit (w/Retaining Ring)	050585	12
Retaining Ring Pkg/10	090107	13
Main Control Link	971712	16

Description	Part. No.	Non-Finished	List Price						
			US19	US28	US26D	313	US10	US4	US3, US26

<b>Mechanism Case</b>										
Description	Part. No.	Non-Finished	US19	US28	US26D	313	US10	US4	US3, US26	
94/9547/48/75 End Cap Package	ECAP.115	-	100	-	-	-	-	-	-	
INPACT Device Mounting Package	PKG.MTG.1001	33	-	-	-	-	-	-	-	
9547/48/75-F Pushpad	971655	-	-	-	-	-	-	-	332	
9447/48/75-F Pushpad	971656	-	-	-	-	-	-	-	332	
Dogging Clip	971659	38	-	-	-	-	-	-	-	
Dogging Clip Spring	971664	13	-	-	-	-	-	-	-	
9547/48/75 Pushpad	971763	-	-	249	281	268	309	297	-	
9447/48/75 Pushpad	971764	-	-	249	281	268	309	297	-	
9547/48-F/75-F Pushpad	971765	-	-	249	281	268	309	297	-	
9447/48-F/75-F Pushpad	971766	-	-	249	281	268	309	297	-	
Baseplate Link Pin	971706	16	-	-	-	-	-	-	-	
9547/48/75 Pushpad	971709	-	-	-	-	-	-	-	332	
9447/48/75 Pushpad	971710	-	-	-	-	-	-	-	332	
94/95 EL Kit Hardware	900626	39	-	-	-	-	-	-	-	
94/95 Dogging Bracket Assembly	BRKT.131	56	-	-	-	-	-	-	-	

Description	Part. No.	Non-Finished	List Price			
			US28	313	US10	US4

<b>Vertical Rod and Latches</b>							
Description	Part. No.	Non-Finished	US28	313	US10	US4	
94/9547/-F Rod Adjustment Kit	KIT.1001	31	-	-	-	-	
94/9547/-F Rod Adj. Kit - LBR	KIT.1002	21	-	-	-	-	
94/9547/-F Top Rod Kit	RODASY.121	95	-	-	-	-	
94/9547/-F Bottom Rod Kit	RODASY.122	95	-	-	-	-	
94/9547/-F Extension Rod Kit	051808	30	-	-	-	-	
94/9547/-F Top Latch Kit	050492	290	-	-	-	-	
94/9547/-F Bottom Latch Kit	050493	236	-	-	-	-	
94/9547/-F Ratchet Release Kit	106222	-	140	140	140	140	
94/9547/-F Latch Mtg. Bracket Kit	109324	58	-	-	-	-	

Prices subject to change without notice.

# Parts - 7500 Series Mortise Lock

Description	Part. No.	Non-Finished	List Price				
			US32D	US4, US10B, US19	US10	US3	US32
* E7500 Solenoid Replacement Kit 12VDC FSE	050212	250	-	-	-	-	-
* E7500 Solenoid Replacement Kit 12VDC FS	050213	250	-	-	-	-	-
* E7500 Solenoid Replacement Kit 24VDC FSE	050214	250	-	-	-	-	-
* E7500 Solenoid Replacement Kit 24VDC FS	050215	-	-	-	-	-	-
E/SS7500 Female Terminal	050540	13	-	-	-	-	-
7500 Auxiliary Bolt Link Sub-Assembly	109347	40	-	-	-	-	-
E7500 Hook-up Wire Assy	114140	66	-	-	-	-	-
SS7500 Wire Harness Switch Sub-Assembly	114294	107	-	-	-	-	-
7500 Latchbolt and Faceplate Sub-Assembly	109773	73	-	-	-	-	-
E7500 Switch Connector Assembly	110744	134	-	-	-	-	-
7500-2 Cylinder Plug Assembly	111943	194	-	-	-	-	-
7500 Lock Mounting Pkg	900532	-	13	13	13	13	-
7500 Scalp Plate - 8-32 x 3/8" FPHMS	963080	-	13	13	13	13	-
7500 Hsg. Cover - 8-32 x 3/8" UFPHMS	964330	13	-	-	-	-	-
7500 Housing 8-32 x 3/8" PPH TF	964390	10	-	-	-	-	-
7500 Cyl. Set - 8-32 x 2" Fill SHMS	963954	13	-	-	-	-	-
#8 SAE Flat Washer	963984	13	-	-	-	-	-
E7500 FSE Roll Pin - 3/32 x 9/16"	964035	13	-	-	-	-	-
7500 Auxiliary Bolt	968668	55	-	-	-	-	-
7500 Deadlocking Spring	968748	13	-	-	-	-	-
7500 Trim Bolt Retractor	968761	13	-	-	-	-	-
7500 Thumb Latch Lift	968763	13	-	-	-	-	-
7500 Knob Cam	968765	41	-	-	-	-	-
7500 Scalp Plate	968766	-	133	-	-	-	199
7500 Scalp Plate	970872	-	-	137	137	199	-
E/SS7500 Switch Insulator	968770	13	-	-	-	-	-
7500 Deadlock Release Arm	968773	30	-	-	-	-	-
7500 Auxiliary Bolt Spring	968935	13	-	-	-	-	-
7500 Latchbolt Collar	968939	29	-	-	-	-	-
7500 Latch Return Spring	969089	13	-	-	-	-	-
E7500 FSE Torsion Spring	969107	13	-	-	-	-	-
7500 Trim Lock Slide Spring	969364	13	-	-	-	-	-
7500 Latch Return Spring Guide	969610	13	-	-	-	-	-
7500 Trim Lock Spring Guide	970188	13	-	-	-	-	-
7500 Crossbar Input Arm	970318	29	-	-	-	-	-
E7500 FS Trim Lock Slide Spring	970546	13	-	-	-	-	-
7500 Stem Support	970735	13	-	-	-	-	-
E7500 Lever Screw	970861	16	-	-	-	-	-
E7500 Lever Spacer	970862	13	-	-	-	-	-
E7500 FS Trim Lock Lever	972549	14	-	-	-	-	-
E7500 Solenoid Spring	971320	12	-	-	-	-	-
7500 Housing Cover	971822	52	-	-	-	-	-
7500 Trim Lock Actuator	968793	13	-	-	-	-	-
7500-2 Trim Lock Actuator	970531	32	-	-	-	-	-
7500-IN Rod Connector	971832	79	-	-	-	-	-
<b>6000 Strike/E/SS7500 Switch CON Adapter Harness</b>	<b>106181</b>	<b>32</b>	<b>-</b>	<b>-</b>	<b>-</b>	<b>-</b>	<b>-</b>

\*For Mortise Lock shipped after 1992. For Mortise Locks shipped before 1992, entire Lock must be replaced

Prices subject to change without notice.

# 360/370 Series Controls - Parts

Description	Model	Part. No.	Non-Finished	List Price				
				US10B, US26D	US4	US10	US3, US15, US26, SPBLK	US32 US32D
Rod Member Kit 1 3/4" Door	371	109126	125	-	-	-	-	-
Rod Member Kit 2 1/4" Door	371	109127	125	-	-	-	-	-
Rod Member Kit 1 3/4" Door	377	109132	-	149	149	174	199	-
Rod Member Kit 2 1/4" Door	377	109133	-	149	149	174	199	-
Rod Member Kit 1 3/4" Door	374	109366	-	208	208	208	266	-
Rod Member Kit 2 1/4" Door	374	109367	-	208	208	208	266	-
Rod Member Kit 1 3/4" Door	376	109112	79	-	-	-	-	-
Rod Member Kit 2" Door	376	900582	-	146	146	146	146	-
Rod Member Kit 2 1/4" Door	376	109115	146	-	-	-	-	-
Rod Member Kit 1 3/4" - 2" Door	376WDC	900558	137	-	-	-	-	-
Rod Member Kit 2 1/4" Door	376WDC	900559	199	-	-	-	-	-
Rod Member Kit 1 3/4" Door	237	112843	111	-	-	-	-	-
#01 Lever Kit	360	050001	-	221	221	249	302	-
#02 Lever Kit	360	050002	-	221	221	249	302	-
#03 Lever Kit	360	050003	-	221	221	249	302	-
#05 Lever Kit	360	050008	-	221	221	249	302	-
#06 Lever Kit	360	050006	-	221	221	249	302	-
#07 Lever Kit	360	050007	-	221	221	249	302	-
#12 Lever RHR Kit	360	050012	-	221	221	249	302	-
#12 Lever LHR Kit	360	050013	-	221	221	249	302	-
#16 Lever Kit	360	050009	-	221	221	249	302	-
#17 Lever Kit	360	050017	-	221	221	249	302	-
#18 Lever Kit	360	050010	-	221	221	249	302	-
#01 Lever Kit	371/373/375/378	050750	-	221	221	249	302	-
#01 DT Lever Kit	373/375	050751	-	221	221	249	302	-
#02 Lever Kit	371/373/375/378	050752	-	221	221	249	302	-
#02 DT Lever Kit	373/375	050753	-	221	221	249	302	-
#03 Lever Kit	371/373/375/378	050754	-	221	221	249	302	-
#03 DT Lever Kit	373/375	050755	-	221	221	249	302	-
#06 Lever Kit	371/373/375/378	050756	-	221	221	249	302	-
#06 DT Lever Kit	373/375	050757	-	221	221	249	302	-
#07 Lever Kit	371/373/375/378	050758	-	221	221	249	302	-
#07 DT Lever Kit	373/375	050759	-	221	221	249	302	-
#17 Lever Kit	371/373/375/378	050760	-	221	221	249	302	-
#17 DT Lever Kit	373/375	050761	-	221	221	249	302	-
#12 Lever RHR Kit	371/373/375/378	050762	-	221	221	249	302	-
#12 DT Lever RHR Kit	373/375	050763	-	221	221	249	302	-
#12 Lever LHR Kit	371/373/375/378	050764	-	221	221	249	302	-
#12 DT Lever LHR Kit	373/375	050765	-	221	221	249	302	-
LAT Lever Kit	360	051871	-	221	221	249	302	-
LON Lever Kit	360	051873	-	221	221	249	302	-
M51 Lever Kit	360	114810	-	323	323	323	323	-
M51 Lever Kit	360	114812	-	-	-	-	-	323
M52 Lever Kit	360	051920	-	323	323	323	323	-

✓ US15 finish available with Series 35 and 98 controls, only.

Prices subject to change without notice.

(continued) **Parts - 360/370 Series Controls**

Description	Model	Part. No.	Non-Finished	List Price				
				US10B, US26D	US4	US10	US3, US15, US26, SPBLK	US32 US32D
M52 Lever Kit	360	051922	-	-	-	-	-	323
M53 Lever Kit	360	051928	-	323	323	323	323	-
M53 Lever Kit	360	051930	-	-	-	-	-	323
M54 Lever Kit	360	114826	-	323	323	323	323	-
M54 Lever Kit	360	114828	-	-	-	-	-	323
M55 Lever Kit	360	051936	-	323	323	323	323	-
M55 Lever Kit	360	051938	-	-	-	-	-	323
M56 Lever Kit	360	114822	-	323	323	323	323	-
M56 Lever Kit	360	114824	-	-	-	-	-	323
M57 Lever Kit	360	051914	-	-	-	-	-	323
M61LH Lever Kit	360	114814	-	323	323	323	323	-
M61LH Lever Kit	360	114816	-	-	-	-	-	323
M61RH Lever Kit	360	114818	-	323	323	323	323	-
M61RH Lever Kit	360	114820	-	-	-	-	-	323
M62LH Lever Kit	360	051916	-	-	-	-	-	323
M62RH Lever Kit	360	051918	-	-	-	-	-	323
M63LH Lever Kit	360	114842	-	323	323	323	323	-
M63LH Lever Kit	360	114844	-	-	-	-	-	323
M63RH Lever Kit	360	114846	-	323	323	323	323	-
M63RH Lever Kit	360	114848	-	-	-	-	-	323
M81 Lever Kit	360	051924	-	323	323	323	323	-
M81 Lever Kit	360	051926	-	-	-	-	-	323
M82 Lever Kit	360	051932	-	323	323	323	323	-
M82 Lever Kit	360	051934	-	-	-	-	-	323
M83 Lever Kit	360	114830	-	323	323	323	323	-
M83 Lever Kit	360	114832	-	-	-	-	-	323
M84 Lever Kit	360	114850	-	323	323	323	323	-
M84 Lever Kit	360	114852	-	-	-	-	-	323
M85LH Lever Kit	360	114834	-	323	323	323	323	-
M85LH Lever Kit	360	114836	-	-	-	-	-	323
M85RH Lever Kit	360	114838	-	323	323	323	323	-
M85RH Lever Kit	360	114840	-	-	-	-	-	323
#03 SS Lever Kit	360	051861	-	-	-	-	-	302
#06 SS Lever Kit	360	051863	-	-	-	-	-	302
#17 SS Lever Kit	360	051865	-	-	-	-	-	302
LAT SS Lever Kit	360	051867	-	-	-	-	-	302
LON SS Lever Kit	360	051869	-	-	-	-	-	302
Thumbturn Kit	374/376/377	050592	-	212	212	212	327	-
Thumbturn Kit	360	050593	-	212	212	212	327	-
Backplate	360	050595	22	-	-	-	-	-
Backplate LHR	371/3/4/5/6/7/8	050596	22	-	-	-	-	-
Backplate RHR	371/3/4/5/6/7/8	050597	22	-	-	-	-	-
Backplate LDT	373/375	050598	22	-	-	-	-	-

✓ US15 finish available with Series 35 and 98 controls, only.

Prices subject to change without notice.

# 360/370 Series Controls - Parts (continued)

Description	Model	Part. No.	Non-Finished	US10B, US26D	US4	US10, US19, SPBLK	US3, US26
NL Cylinder Plate	371/3/4/5/6/7/8	050599	16	-	-	-	-
TL Cylinder Plate	371/3/4/5/6/7/8	050600	16	-	-	-	-
Cylinder Lock Nut & Washer	371/3/4/5/6/7/8	109111	22	-	-	-	-
Cylinder Locknut	360	050526	14	-	-	-	-
Cylinder Lock Pkg/2	371/3/4/5/6/7/8	090090	13	-	-	-	-
Cylinder Auxiliary Package	360	900622	30	-	-	-	-
Lever Adjustment Block	371/3/4/5/6/7/8	050576	13	-	-	-	-
Lever Bushing	360L	050579	13	-	-	-	-
Lever Bushing	371/373/375/378	050601	13	-	-	-	-
Lever Control Spring LHR Pkg/4	371/373/375/378	090091	16	-	-	-	-
Lever Control Spring RHR Pkg/4	371/373/375/378	090092	16	-	-	-	-
Lever Return Spring Pkg/2	360L/L-BE	090093	16	-	-	-	-
Lever Shaft Lock	371/373/375/378	050602	13	-	-	-	-
Lever Spindle	373	967480	13	-	-	-	-
Lever Stop Block	373/375	050603	13	-	-	-	-
Mounting Stud Pkg/2	360	090094	13	-	-	-	-
Mounting Stud Pkg/2	371/373/378	090095	13	-	-	-	-
Mounting Stud Pkg/2	374/376/377	090096	13	-	-	-	-
Cam - Input	360L/L-BE	050604	12	-	-	-	-
Cam - Output	360	050605	33	-	-	-	-
Cam - Vertical Rod	371/374/376/377	050606	30	-	-	-	-
Cam Retaining Screw (Pkg/4)	371/373/375/378	090097	13	-	-	-	-
Dogging Spring and Guide Kit	371/3/4/5/6/7/8	050607	13	-	-	-	-
Locking Member	360	050608	39	-	-	-	-
Mortise Adaptor	373/375	050609	49	-	-	-	-
Pin - Spirol 3/32 x 19/32 Pkg/4	373/375	090098	13	-	-	-	-
Shear Pin Kit	360	050611	13	-	-	-	-
Pine Tree Clip Pkg/10	360	090099	12	-	-	-	-
Rub Plate	374/377	050612	-	79	85	85	85
Short Arm Hex Wrench 1/8"	374/377	050613	14	-	-	-	-
Short Hex Key 3/32"	371/376	050614	13	-	-	-	-
Socket Set Screw 1/4-20 x 1/4	374/377	090100	13	-	-	-	-
Socket Set Screw 10-32 x 1/4 Pkg/10	360	090101	13	-	-	-	-
Spring - Locking Torsion	360	050615	10	-	-	-	-
Tailpiece	360	050587	11	-	-	-	-
Tailpiece Guide Pkg/10	360	050156	21	-	-	-	-
Thumbturn Control Spring & Washer Kit	374/376/377	050616	16	-	-	-	-
Thumbturn Sleeve	374/376/377	050619	41	-	-	-	-
Washer - Bearing	371/3/4/5/6/7/8	050621	30	-	-	-	-
Washer - Locking Pkg/10	371/373/375	090102	13	-	-	-	-
Washer - Wave Spring Pkg/10	360/371/373/375/378	090103	12	-	-	-	-
Screw Package 1 3/4" Dr	371/373/378	900807	-	22	22	22	22
Screw Package 2 1/4" Dr	371/373/378	900808	-	30	30	30	30
Screw Package 1 3/4" Dr	374/376/377	900809	-	22	22	22	22
Screw Package 2 1/4" Dr	374/376/377	900810	-	30	30	30	30
Screw Package 1 3/4" Dr	375	900883	-	22	22	22	22
Screw Package 2 1/4" Dr	375	900884	-	30	30	30	30
WDC Cover Plate 1 3/4"	376T-WDC	900555	-	50	65	119	119
WDC Cover Plate 2 1/4"	376T-WDC	900556	-	50	65	119	119

Prices subject to change without notice.



Description	Part. No.	List Price	
		Non-Finished	SP28, SP313
<b>210/230 Series Trims</b>			
230DT x 330/350 Screw Package 1 3/4" Dr	050140	—	16
230DT x 330/350 Screw Package 2 1/4" Dr	050141	—	16
230L Cylinder Locknut	050526	14	—
210K Bracket & Booster Assembly	109871	67	—
210K Spiral Cam Sub-Assembly	109872	49	—
210K Cylinder Knob Sub-Assembly	109873	—	125
210K Trim Sub-Assembly	109879	—	127
210K Rose, Hub and Cap Assy	110343	—	41
230L Tailpiece Auxiliary	900894	21	—
210K Wave Spring Washer Pkg/10	090103	12	—
210/230 Cylinder Retaining Cup	968201	21	—
210/230 Cylinder Cup & Tailpiece Lead Pkg	900581	13	—
210/230 Tailpiece Guide Lead Pkg/10	050156	21	—
210K Knob Spacer	969140	16	—
210K Knob	969157	—	33
210K-BE Knob	969352	—	22
230TP Cam	969903	13	—
230TP Slider	969904	13	—
230TP Locking Cam	969906	13	—
230TP Locking Cam Latch	969908	21	—
230TP Compression Spring	969909	13	—
230TP Thumbpiece	969910	—	74
210K/L Spindle Shaft	970979	13	—
230L Stud	971245	14	—
230L Cylinder Collar	971249	—	26
230L Locking Plunger	971497	13	—
230L Locking Slider	971259	10	—
* 230L Lever Cam	050813	13	—
* 230L Shear Pin Kit w/ Retaining Pin	050611	13	—

\* For 230L trim shipped after 3/3/14

Description	Part. No.	List Price	
		Non-Finished	
<b>386/388 Series Trims</b>			
386 Housing Retainer Pkg/2	090104	12	
386/388 Cylinder Retainer Pkg	900624	21	
386 Mounting Stud Kit	050584	14	
386 Mounting Stud Set Screw Pkg/2	090105	10	
388 Mounting Stud Pkg/2	090106	14	
392-6 Mounting Package	900955	14	

Prices subject to change without notice.

# Trims - Parts (continued)

Description	Part. No.	Non-Finished	List Price				US3, US26, SPBLK
			US26D	US10B	US10	US4	
<b>550/110 Series Trims</b>							
555/556 Cylinder Disc & Cam Assembly	101212	194	-	-	-	-	-
550/555/556 Pull Bar Assembly	108705	-	-	244	312	236	312
550DT Screw Package	900760	-	56	56	56	56	56
555NL Screw Package	900761	56	-	-	-	-	-
556NL Screw Package	900784	-	14	14	14	14	14
556 Rod Member	952820	129	-	-	-	-	-
550/555/556 Special Cylinder Screw - 1 3/4" Door	959055	13	-	-	-	-	-
550/555/556 Special Cylinder Screw - 2 1/4" Door	959056	13	-	-	-	-	-
550/555/556 Hex Stud	959560	13	-	-	-	-	-
555 Cylinder Latch Release RH	959563	49	-	-	-	-	-
555NL-MD Cylinder Spacer Collar - 1 3/4" Door	960003	30	-	-	-	-	-
110NL Cylinder Spacer Collar	960060	49	-	-	-	-	-
555 Cylinder Latch Release LH	960109	49	-	-	-	-	-
110NL-WD Cylinder Spacer Collar	960316	49	-	-	-	-	-
555NL Cylinder Spacer Collar - 2 1/4" Door	960317	30	-	-	-	-	-
556NL Cylinder Spacer Collar - 1 3/4" Door	960676	30	-	-	-	-	-
556NL Cylinder Spacer Collar - 2 1/4" Door	960689	30	-	-	-	-	-
550/555/556 Sex Bolt Extension	960902	14	-	-	-	-	-
110NL Cylinder Assembly Countersink Washer	961180	14	-	-	-	-	-
555NL Cylinder Assembly Cylinder Base	961280	-	58	57	57	52	57
1/8" Short Arm Hex Wrench	050613	14	-	-	-	-	-
556 3/32 Short Hex Key	050614	13	-	-	-	-	-
550/555/556 Socket Set Screw	963581	13	-	-	-	-	-
550/555/556 Pull Base	965310	-	79	79	87	79	87
555/556 Cylinder Pull Base	965312	-	62	62	73	57	73
550/555/556 Cylinder Hole Cover	965317	-	58	58	90	58	90
556NL Cylinder Assembly Cylinder Base	966985	-	129	129	149	129	149
110NL-MD Cylinder Collar	967291	-	55	55	62	55	62
110NL Cylinder Assembly Cylinder Disc	971593	73	-	-	-	-	-

## 880/606/608 Series Trims \*

216D Cylinder Anchor Plate 880 Trim	032114	19	-	-	-	-	-
606K/880K Orbit Knob Assembly	110544	-	187	187	187	187	282
606K/880K Orbit Knob Assembly (DT)	110547	-	187	187	187	187	282
880 Screw Package 2 1/4" Dr	900531	-	22	31	22	22	22
880 Screw Package 1 3/4" Dr	900533	-	13	30	14	14	14
880-V Screw Package Trim	900542	13	-	-	-	-	-
880 Screw Package (Bottom Stud)	900771	-	13	13	13	13	13
880DT-V SA Screw Package	900783	-	16	16	16	16	16
606DT/NL/TP Screw Package	900772	-	13	13	13	13	13
606K/606K-DT Screw Package	900782	-	16	16	16	16	16
608 Screw Package	900776	-	14	14	14	14	14
880 Series Hex Stud	956760	13	-	-	-	-	-
880 Pull Grip	972467	-	-	135	-	111	179
880 Pull Grip	972466	-	135	-	-	-	-
880-M/V Thumbpiece	959575	-	71	71	65	65	100
880 Thumbpiece Axle	959603	13	-	-	-	-	-

\* For Trims shipped after October 1989. Otherwise, see service replacement page 168.

Prices subject to change without notice.

Description	Part. No.	Non-Finished	List Price					US3, US15, US26, *US32 SPBLK
			US26D, *US32D	US10B	US10	US4		
<b>880/606/608 Series Trims*</b>								
880-M Cylinder Collar	961267	-	46	-	56	46	56	
880DT-V-SA 12-24 x 1/2" UFPHMS	963011	12	-	-	-	-	-	
606K/880K Roll Pin (3-32 x 7/8)	963196	12	-	-	-	-	-	
880NL/DT 12-24 x 3/8" UFPHMS	963579	13	-	-	-	-	-	
606K/880K 3/8" Lockwasher	963703	12	-	-	-	-	-	
606K/880K-DT/K-NL Hex Nut	963704	12	-	-	-	-	-	
880-R Cylinder Collar	965226	-	46	46	56	46	56	
880 TP Bracket Screw	965237	12	-	-	-	-	-	
606/880 DT Spindle Lock	965568	12	-	-	-	-	-	
Extended Spindle - 880K	968883	205	-	-	-	-	-	
880TP Thumbpiece Bracket	969353	13	-	-	-	-	-	
880K Booster Body	970137	33	-	-	-	-	-	
880K Booster Torsion Spring	970138	12	-	-	-	-	-	
880K Booster Spacer	970139	12	-	-	-	-	-	
880K Flange Bearing - 880K	970159	14	-	-	-	-	-	
608/880TP-R Thumbpiece	970488	-	71	71	100	65	100	

\* For Trims shipped after October 1989. Otherwise, see service replacement page 168.

### 990/996 Series Trim

#01 Lever - 992 RMV/994/996 L-DT/L-NL	050001	-	221	221	249	221	302
#02 Lever - 992 RMV/994/996 L-DT/L-NL	050002	-	221	221	249	221	302
#03 Lever - 992 RMV/994/996 L-DT/L-NL	050003	-	221	221	249	221	302
#05 Lever - 992 RMV/994/996 L-DT/L-NL	050008	-	221	221	249	221	302
#06 Lever - 992 RMV/994/996 L-DT/L-NL	050006	-	221	221	249	221	302
#07 Lever - 992 RMV/994/996 L-DT/L-NL	050007	-	221	221	249	221	302
#12 Lever - 992 RMV/994/996 L-DT/L-NL (RHR)	050012	-	221	221	249	221	302
#12 Lever - 992 RMV/994/996 L-DT/L-NL (LHR)	050013	-	221	221	249	221	302
#16 Lever - 992 RMV/994/996 L-DT/L-NL	050009	-	221	221	249	221	302
#17 Lever - 992 RMV/994/996 L-DT/L-NL	050017	-	221	221	249	221	302
#18 Lever - 992 RMV/994/996 L-DT/L-NL	050010	-	221	221	249	221	302
#01 Lever - 994/996 RMV L/L-BE	050732	-	221	221	249	221	302
#02 Lever - 994/996 RMV L/L-BE	050733	-	221	221	249	221	302
#03 Lever - 994/996 RMV L/L-BE	050734	-	221	221	249	221	302
#05 Lever - 994/996 RMV L/L-BE	050735	-	221	221	249	221	302
#06 Lever - 994/996 RMV L/L-BE	050736	-	221	221	249	221	302
#07 Lever - 994/996 RMV L/L-BE	050737	-	221	221	249	221	302
#12 Lever - 994/996 RMV L/L-BE RHR	050738	-	221	221	249	221	302
#12 Lever - 994/996 RMV L/L-BE LHR	050739	-	221	221	249	221	302
#16 Lever - 994/996 RMV L/L-BE	050740	-	221	221	249	221	302
#17 Lever - 994/996 RMV L/L-BE	050741	-	221	221	249	221	302
#18 Lever - 994/996 RMV L/L-BE	050742	-	221	221	249	221	302
LON Lever - 996 RMV L/L-BE	051874	-	221	221	249	221	302
LAT Lever - 996 RMV L/L-BE	051872	-	221	221	249	221	302

✓ US15 finish available with device series 98 trims

Prices subject to change without notice.

# Trims - Parts (continued)

Description	Part No.	Non-Finished	List Price									
			US26D	US10B	US10	US4	US3, US15, US26, SPBLK	US32 US32D	643E	US19	SP313	
<b>990/996 Series Trim</b> (continued)												
ME1LH Lever Kit - 996 RMV L/L-BE	044000	-	323	323	323	323	323	-	323	323	323	
ME1RH Lever Kit - 996 RMV L/L-BE	044001	-	323	323	323		323	-	323	323	323	
ME2LH Lever Kit - 996 RMV L/L-BE	044002	-	323	323	323		323	-	323	323	323	
ME2RH Lever Kit - 996 RMV L/L-BE	044003	-	323	323	323	323	323	-	323	323	323	
ME3LH Lever Kit - 996 RMV L/L-BE	044004	-	323	323	323	323	323	-	323	323	323	
ME1LH Lever Kit - 996 RMV L/L-BE	044005	-	-	-	-	-	-	323	-	-	-	
ME1RH Lever Kit - 996 RMV L/L-BE	044006	-	-	-	-	-	-	323	-	-	-	
ME2LH Lever Kit - 996 RMV L/L-BE	044007	-	-	-	-	-	-	323	-	-	-	
ME2RH Lever Kit - 996 RMV L/L-BE	044008	-	-	-	-	-	-	323	-	-	-	
ME3 Lever Kit - 996 RMV L/L-BE	044009	-	-	-	-	-	-	323	-	-	-	
M51 Lever Kit - 996 RMV L/L-BE	114811	-	323	323	323	323	323	-	-	-	323	
M51 Lever Kit - 996 RMV L/L-BE	114813	-	-	-	-	-	-	323	-	-	-	
M52 Lever Kit - 996 RMV L/L-BE	51921	-	323	323	323	323	323	-	-	-	323	
M52 Lever Kit - 996 RMV L/L-BE	51923	-	-	-	-	-	-	323	-	-	-	
M53 Lever Kit - 996 RMV L/L-BE	51929	-	323	323	323	323	323	-	-	-	323	
M53 Lever Kit - 996 RMV L/L-BE	51931	-	-	-	-	-	-	323	-	-	-	
M54 Lever Kit - 996 RMV L/L-BE	114827	-	323	323	323	323	323	-	-	-	323	
M54 Lever Kit - 996 RMV L/L-BE	114829	-	-	-	-	-	-	323	-	-	-	
M55 Lever Kit - 996 RMV L/L-BE	51937	-	323	323	323	323	323	-	-	-	323	
M55 Lever Kit - 996 RMV L/L-BE	51939	-	-	-	-	-	-	323	-	-	-	
M56 Lever Kit - 996 RMV L/L-BE	114823	-	323	323	323	323	323	-	-	-	323	
M56 Lever Kit - 996 RMV L/L-BE	114825	-	-	-	-	-	-	323	-	-	-	
M57 Lever Kit - 996 RMV L/L-BE	51915	-	-	-	-	-	-	323	-	-	-	
M61LH Lever Kit- 996 RMV L/L-BE	114815	-	323	323	323	323	323	-	-	-	323	
M61LH Lever Kit- 996 RMV L/L-BE	114817	-	-	-	-	-	-	323	-	-	-	
M61RH Lever Kit- 996 RMV L/L-BE	114819	-	323	323	323	323	323	-	-	-	323	
M61RH Lever Kit- 996 RMV L/L-BE	114821	-	-	-	-	-	-	323	-	-	-	
M62LH Lever Kit- 996 RMV L/L-BE	51917	-	-	-	-	-	-	323	-	-	-	
M62RH Lever Kit- 996 RMV L/L-BE	51919	-	-	-	-	-	-	323	-	-	-	
M63LH Lever Kit- 996 RMV L/L-BE	114843	-	323	323	323	323	323	-	-	-	323	
M63LH Lever Kit- 996 RMV L/L-BE	114845	-	-	-	-	-	-	323	-	-	-	
M63RH Lever Kit- 996 RMV L/L-BE	114847	-	323	323	323	323	323	-	-	-	323	
M63RH Lever Kit- 996 RMV L/L-BE	114849	-	-	-	-	-	-	323	-	-	-	
M81 Lever Kit - 996 RMV L/L-BE	51925	-	323	323	323	323	323	-	-	-	323	
M81 Lever Kit - 996 RMV L/L-BE	51927	-	-	-	-	-	-	323	-	-	-	
M82 Lever Kit - 996 RMV L/L-BE	51933	-	323	323	323	323	323	-	-	-	323	
M82 Lever Kit - 996 RMV L/L-BE	51935	-	-	-	-	-	-	323	-	-	-	
M83 Lever Kit - 996 RMV L/L-BE	114831	-	323	323	323	323	323	-	-	-	323	
M83 Lever Kit - 996 RMV L/L-BE	114833	-	-	-	-	-	-	323	-	-	-	
M84 Lever Kit - 996 RMV L/L-BE	114851	-	323	323	323	323	323	-	-	-	323	
M84 Lever Kit - 996 RMV L/L-BE	114853	-	-	-	-	-	-	323	-	-	-	
M85LH Lever Kit- 996 RMV L/L-BE	114835	-	323	323	323	323	323	-	-	-	323	
M85LH Lever Kit- 996 RMV L/L-BE	114837	-	-	-	-	-	-	323	-	-	-	
M85RH Lever Kit- 996 RMV L/L-BE	114839	-	323	323	323	323	323	-	-	-	323	
M85RH Lever Kit- 996 RMV L/L-BE	114841	-	-	-	-	-	-	323	-	-	-	

✓ US15 finish available with device series 98 trims

Prices subject to change without notice.

Description	Part. No.	List Price Non-Finished	List Price					US3, US15, US26, SPBLK	US32 US32D
			US26D	US10B	US10	US4			
<b>990/996 Series Trim</b> (continued)									
Orbit Knob Assembly - 991K	110537	-	-	149	204	169	215	-	-
Slider Sub-Assembly - 991K-R/V	110768	133	-	-	-	-	-	-	-
Slider Sub-Assembly - 992L-R/V	110769	146	-	-	-	-	-	-	-
Slider Sub-Assembly - 994/996L-R/V	111869	169	-	-	-	-	-	-	-
Slider Sub-Assembly - 994/996L-M	112462	169	-	-	-	-	-	-	-
990 Screw Package 1 3/4" - 2 1/4" Door	900853	-	30	30	30	30	30	-	-
991/992/994/996 Screw Package	900920	13	-	-	-	-	-	-	-
Cam-996	971132	37	-	-	-	-	-	-	-
392-7 Mounting Pack	900954	-	14	-	-	-	-	-	-
Hex Stud - 990 Trim	956760	13	-	-	-	-	-	-	-
Pull Grip - 990	972467	-	-	135	-	111	179	-	-
Pull Grip - 990	972466	-	135	-	-	-	-	-	-
Thumbpiece - 696/990-M	959575	-	71	71	65	65	100	-	-
Thumbpiece Axle - 696/990	959603	13	-	-	-	-	-	-	-
Cylinder Collar - 696/990-M	961267	-	46	46	56	46	56	-	-
Flat Washer - 992K-DT/NL/BE/992L	963105	14	-	-	-	-	-	-	-
12-24 x 3/8" UFPHMS - 990NL/DT	963579	13	-	-	-	-	-	-	-
Retaining Ring - 991K	963767	13	-	-	-	-	-	-	-
Retaining Ring - 992L	964097	13	-	-	-	-	-	-	-
10-24 x 1/2" Socket Set Cap Screw	964183	13	-	-	-	-	-	-	-
Retaining Ring - 991K-DT/NL/BE/992L	964285	13	-	-	-	-	-	-	-
1/4-20 x 5/8" Socket Set Screw	964353	13	-	-	-	-	-	-	-
Cylinder Collar - 990-R	965226	-	46	46	56	46	56	-	-
TP Bracket Screw - 990TP	965237	12	-	-	-	-	-	-	-
Cylinder Retaining Cup - 990/996 Trim	968201	21	-	-	-	-	-	-	-
Spring - 991K	969012	13	-	-	-	-	-	-	-
Thumbpiece Bracket - 990TP	969353	13	-	-	-	-	-	-	-
R&V Finger - 991K/992L	969545	16	-	-	-	-	-	-	-
Flange Bearing - 991K	970159	14	-	-	-	-	-	-	-
Thumbpiece - 990TP-R	970488	-	71	71	100	65	100	-	-
Slider Sub-Assembly - 992L-M	971012	146	-	-	-	-	-	-	-
<b>996L-DT/NL Retaining Plate Kit</b>	<b>044020</b>	<b>127</b>	<b>-</b>	<b>-</b>	<b>-</b>	<b>-</b>	<b>-</b>	<b>-</b>	<b>-</b>
DT Cam Pin - 992/994/996	971015	14	-	-	-	-	-	-	-
Hex Stud - 991K/992L	971440	13	-	-	-	-	-	-	-
Lift Spring - 992/994	971573	10	-	-	-	-	-	-	-
Shear Pin Kit - 992/994/996 w/retaining ring	050611	13	-	-	-	-	-	-	-
Mounting Stud - 994/996	971585	13	-	-	-	-	-	-	-
<b>M996 Mort Conv to Motorized Kit</b>	<b>47273112</b>	<b>740</b>	<b>-</b>	<b>-</b>	<b>-</b>	<b>-</b>	<b>-</b>	<b>-</b>	<b>-</b>
<b>M996 R/V/C Conv to Motorized Kit</b>	<b>47273111</b>	<b>712</b>	<b>-</b>	<b>-</b>	<b>-</b>	<b>-</b>	<b>-</b>	<b>-</b>	<b>-</b>
E996 Mort Conv to E Kit (for 24 VDC)	050673	776	-	-	-	-	-	-	-
E996 R/VC Conv to E Kit (for 24 VDC)	050672	747	-	-	-	-	-	-	-
E996 Locking Mech Kit (includes 24 VDC solenoid)	050671	467	-	-	-	-	-	-	-
<b>E996/M996 Wire Harness</b>	CABLE.10038	48	-	-	-	-	-	-	-
E996 Solenoid Kit (for 24 VDC)	050814	125	-	-	-	-	-	-	-
Lever Bushing	050579	13	-	-	-	-	-	-	-
E996 Solenoid Kit (for 12 VDC)	050898	125	-	-	-	-	-	-	-

✓ US15 finish available with device series 98 trims, only.  
**Prices subject to change without notice.**

# Trims - Parts (continued)

Description	Part. No.	Non-Finished	List Price				US3, US26, SPBLK
			US26D	SP313, US10B	US10	US4	
<b>Optional Trim</b>							
696/697DT x 330/350 Screw Package 1 3/4" Dr	050142	-	16	16	16	16	16
696/697DT x 330/350 Screw Package 2 1/4" Dr	050143	-	-	16	16	16	16
696/697 Cylinder Hardware Assembly 1 3/4" Dr	109369	-	100	100	149	129	170
696/697 Cylinder Hardware Assembly 2 1/4" Dr	109130	-	100	100	149	129	170
696/697 Screw Package 1 3/4" Door	900839	-	13	13	13	13	13
696/697 Screw Package 2 1/4" Door	900840	-	13	13	13	13	13
Pull Grip - 608/696 Trim	972467	-	-	135	-	111	179
Pull Grip - 608/696 Trim	972466	-	135	-	-	-	-
Thumbpiece - 608 Trim	959575	-	71	71	65	65	100
Thumbpiece Axle - 608 Trim	959603	13	-	-	-	-	-
Sex Bolt Extension - 606/608 Trim	960902	14	-	-	-	-	-
Thumbpiece Bracket - 608TP-R/V	960921	24	-	-	-	-	-
3/8" Lockwasher - 606K	963703	12	-	12	-	-	-
Hex Nut - 606K-DT/K-NL	963704	12	-	-	-	-	-
1/4-20 3/4" Socket Set Screw	964355	13	-	-	-	-	-
Thumbpiece Bracket - 608TP-M	965130	52	-	-	-	-	-
Sex Bolt Head - 606/608 Trim	967329	-	16	16	16	16	16
Pull Grip - 697 Trim	968694	-	228	228	228	228	266
Sex Bolt Head - 696/697 Trim	968918	-	16	16	16	16	16
Hex Stud - 696/697 Trim	969091	13	-	-	-	-	-
Sex Bolt Extension - 696/697 Trim	969092	16	-	-	-	-	-
Thumbpiece - 608TP-R	970488	-	71	71	100	65	100
Thumbpiece - 696/697-R/V	970491	-	71	71	100	65	100
334 Cylinder Collar	961267	-	46	46	56	46	56
940 Trim Cam Service Kit	040171	134	-	-	-	-	-
940 Tail Piece Mounting Pkg	900390	23	-	-	-	-	-

Prices subject to change without notice.

# Parts - Mullions

Description	Part. No.	List Price		
		Non-Finished	SP28, SP313	US4, US10, US28, 313
5654/5754 Fitting Set	050130	-	-	199
5654/5754 Top Fitting & Cover	050135	-	-	121
KR54 Retrofit Kit	050168	-	515	-
KR54-F Retrofit Kit	050169	-	567	-
5654/5754 Bottom Fitting	050190	-	-	121
9954 Fitting Set	050241	-	376	-
1654/4954 Fitting Set	050330	-	145	-
1654/4954 Top Fitting & Cover	050335	-	71	-
4754/4854 Fitting Set	050371	-	294	-
4754/4854 Top Electrical Fitting & Cover	050381	-	224	-
9854 Top Mullion Fitting Kit	050383	-	224	-
1654/4754/4854/4954 Bottom Fitting	050390	-	69	-
9854/9954 Top Fitting & Cover	050391	-	182	-
98/9954 Bottom Fitting & Cover	050392	-	182	-
KR Mullion Cylinder Lock Nut	050526	14	-	-
Weatherstripping (10') Use 2 Per Mullion	050580	31	-	-
Mullion (Top) Screw Package	900400	19	-	-
Mullion (Bottom) Screw Package	900402	26	-	-
KR1654/4954 Mullion Mounting Package	900409	-	74	-
KR9854/9954 Mullion Mounting Package	900410	-	62	-
9954 (Bottom) Screw Package	900411	25	-	-
9954 (Top) Screw Package	900413	25	-	-
4754/4854/4954 Top Fitting Cover	961047	-	22	-
5654 Mullion Edging - 7'	965712	-	-	67
5654 Mullion Edging - 8'	965713	-	-	74
5654 Mullion Edging - 10'	965714	-	-	83
9954 Top Fitting Cover	968645	-	22	-
KR Inner Mullion Back Cover Plate	971187	-	25	-
KR Shim Plate	971212	12	-	-
KR-F Shim Plate	971313	-	44	-
KR9954 Top Fitting	971312	-	123	-
KR9854/9954 Fusible Spacer	971316	-	65	-
KR Mullion Cylinder Locking Washer	971328	18	-	-
KR1654/4954 Top Fitting	971340	-	107	-
MT54 Wall Mounted Storage Kit	050581	-	164	-
Female Receptacle Wire Assy	105988	79	-	-
Male Receptacle Wire Assy	105987	92	-	-
Mullion Stabilizers	050054	-	97	-

Prices subject to change without notice.

# Screw Packs/ Shims/ Miscellaneous

Description	Part. No.	Non-Finished	List Price			
			US32D	US10	US3, US4, US10B, US32	SP28, SP313, SP4, SP10, US19
<b>Shims</b>						
Shim 1409 Strike	959953	16	-	-	-	-
Shim 1606 Strike	961084	22	-	-	-	-
Shim 248L-4 Strike	969280	13	-	-	-	-
Shim 264/299F/499F Strike	945521	13	-	-	-	-
Shim 266 Strike	967333	-	49	-	49	-
Shim 299 Strike	970321	13	-	-	-	-
Shim 268 Strike Auxilliary Bolt	967269	13	-	-	-	-
909 Strike Shim Pkg/4	090108	67	-	-	-	-
Mullion Stabilizer Shim	961530	12	-	-	-	-
99 Hinge Stile Shim	971010	-	-	-	-	49
<b>Screw Packs</b>						
Screw Package 268/472/473	900252	13	-	-	-	-
Screw Package 1408	900253	13	-	-	-	-
Screw Package 1409/1410/1439	900254	16	-	-	-	-
Screw Package 248L-4/264/266/1606	900263	13	13	-	13	-
Screw Package 4263/4582	900281	-	14	-	14	-
Screw Package 4268	900284	-	13	21	13	-
Screw Package 338	900285	13	-	-	-	-
Screw Package 499-F	900289	16	-	-	-	-
Screw Package 575/575-2/576/4690	900532	-	13	13	13	-
Screw Package 889 Cover Plate	900820	-	16	16	16	-
Screw Package 99GBK-R x 499F 1 3/4" Dr	900847	-	22	22	22	-
Screw Package 99GBK-R x 499F 2 1/4" Dr	900848	-	22	22	22	-
Screw Package 99GBK-R/M/V	900849	21	-	-	-	-
Screw Package RG27	900888	14	-	-	-	-
<b>Miscellaneous</b>						
DL Lubricant 1 oz.	091091	12	-	-	-	-
Monitor Strike Spacer Plate - 4263/4268	966671	16	-	-	-	-
Strike Hook 499-F	661481	-	128	128	128	-
Strike Plate 299	970323	13	-	-	-	-
Strike Pop Rivet 1409/1439	963074	12	-	-	-	-
Strike Hook 499-F	661481	-	128	128	128	-
Strike Pop Rivet 1409/1439	963074	13	-	-	-	-
1409 Adjusting Block	959952	16	-	-	-	-
1409/1410 Wear Strip	960012	26	-	-	-	-
Latch Guard Mounting Bracket	970472	16	-	-	-	-
Security Screw Hex Key 5/32"	010059	21	-	-	-	-
Security Screw Hex Key 1/8"	010060	21	-	-	-	-
Security Screw Hex Key 7/32"	010061	21	-	-	-	-
Security Screw Hex Key 3/16"	010062	21	-	-	-	-
299F Strike Adapter	050996-622	-	-	-	-	167
WDC Strike Filler Plate kit	47244841	13	-	-	-	-

Prices subject to change without notice.



# Maintenance Kit and Replacement Packages

Description	Part. No.	List Price
98/99 Maintenance Kit	050046	1,210
Control Link Pin Pkg/10	090031	16
33/35/98/99 Touch Bar Guide Pkg/10	090049	14
NL Drive Screw Pkg/10	090074	21
98/9927/27-F Auxiliary Bolt Spring Pkg/10	090076	13
Bolt Return Spring Pkg/10	090065	13
#10 External Tooth Lock Washer Pkg/10	PKGSRV.1007	14
Top Latch Compression Spring Pkg/10	090056	13
Truarc Retaining Ring T5304-18 Pkg/10	090107	13
Shear Pin - 360/992/994/996 Pkg/50	PKGSRV.1010	65
992L Lift Spring Pkg/20	PKGSRV.1011	24
1/4-20 Hex Stud - 991/992 Pkg/10	PKGSRV.1012	31
Truarc Retaining Ring 5160-42 Pkg/10	PKGSRV.1013	21
10-32 X 1/4" UFPHMS w/Nylock Pkg/6	090059	13
10-24 x 3/4" PPHMS Pkg/10	PKGSRV.1015	14
10-24 x 1" PPHMS Pkg/20	PKGSRV.1016	16
8-32 X 1/4" UFPHMS Pkg/20	PKGSRV.1018	13
LBR Latch Mtg Screw Pkg/10	PKGSRV.1019	15
1/4-20 X 3/4" UFPHMS Pkg/10	PKGSRV.1020	22
10-24 X 1 3/8" PPHMS Pkg/20	PKGSRV.1022	22
10-24 X 3/4" FPHMS Pkg/10	PKGSRV.1023	14
12-24 1/2" Hex Wshr Hd Tapping Screw Pkg/10	090073	11

Prices subject to change without notice.

# Electric Strike - Parts

Description	Part. No.	List Price
<b>Box Assemblies</b>		
6111, 6113, 6213 12VDC FS Box Assembly	111743	405
6111, 6113, 6213 12VDC FSE Box Assembly	111744	405
6111, 6113, 6213 24VDC FS Box Assembly	111745	405
6111, 6113, 6213 24VDC FSE Box Assembly	111746	405
6111, 6113, 6213 12VDC FS DS Box Assembly	111747	588
6111, 6113, 6213 12VDC FSE DS Box Assembly	111748	588
6111, 6113, 6213 24VDC FS DS Box Assembly	111749	588
6111, 6113, 6213 24VDC FSE DS Box Assembly	111750	588
6111, 6113, 6213 12VDC FS DS-LC Box Assembly	112772	588
6111, 6113, 6213 12VDC FSE DS-LC Box Assembly	112773	588
6111, 6113, 6213 24VDC FS DS-LC Box Assembly	112774	588
6111, 6113, 6213 24VDC FSE DS-LC Box Assembly	112775	588
6112, 6121 12VDC FS Box Assembly	111751	396
6112, 6121 12VDC FSE Box Assembly	111752	396
6112, 6121 24VDC FS Box Assembly	111753	396
6112, 6121 24VDC FSE Box Assembly	111754	396
6112, 6121 12VDC FS DS Box Assembly	111755	576
6112, 6121 12VDC FSE DS Box Assembly	111756	576
6112, 6121 24VDC FS DS Box Assembly	111757	576
6112, 6121 24VDC FSE DS Box Assembly	111758	576
6112, 6121 12VDC FS DS-LC Box Assembly	112776	576
6112, 6121 12VDC FSE DS-LC Box Assembly	112777	576
6112, 6121 24VDC FS DS-LC Box Assembly	112778	576
6112, 6121 24VDC FSE DS-LC Box Assembly	112779	576
6114, 6214/15, 6222/24/24AL/25/26 12VDC FS Box Assembly	111719	446
6114, 6214/15, 6222/24/24AL/25/26 12VDC FSE Box Assembly	111720	446
6114, 6214/15, 6222/24/24AL/25/26 24VDC FS Box Assembly	111721	446
6114, 6214/15, 6222/24/24AL/25/26 24VDC FSE Box Assembly	111722	446
6114, 6214/15, 6224/24AL/26 12VDC FS DS Box Assembly	111723	630
6114, 6214/15, 6224/24AL/26 12VDC FSE DS Box Assembly	111724	630
6114, 6214/15, 6224/24AL/26 24VDC FS DS Box Assembly	111725	630
6114, 6214/15, 6224/24AL/26 24VDC FSE DS Box Assembly	111726	630
6114, 6214/15/24/24AL/26 12VDC FS DS-LC Box Assembly	112760	630
6114, 6214/15/24/24AL/26 12VDC FSE DS-LC Box Assembly	112761	630
6114, 6214/15/24/24AL/26 24VDC FS DS-LC Box Assembly	112762	630
6114, 6214/15/24/24AL/26 24VDC FSE DS-LC Box Assembly	112763	630
6210 12VDC FS Box Assembly	111244	659
6210 12VDC FSE Box Assembly	111246	404
6210 24VDC FS Box Assembly	111247	457
6210 24VDC FSE Box Assembly	111250	332
6210 12VDC FS DS Box Assembly	111251	839
6210 12VDC FSE DS Box Assembly	111264	587
6210 24VDC FS DS Box Assembly	111813	645
6210 24VDC FSE DS Box Assembly	111814	645
6210 12VDC FS DS-LC Box Assembly	112754	595
6210 12VDC FSE DS-LC Box Assembly	112755	595
6210 24VDC FS DS-LC Box Assembly	112784	595
6210 24VDC FSE DS-LC Box Assembly	112785	595
6211, 6211AL, 6212 12VDC FS Box Assembly	111711	381
6211, 6211AL, 6212 12VDC FSE Box Assembly	111712	381
6211, 6211AL, 6212 24VDC FS Box Assembly	111713	381
6211, 6211AL, 6212 24VDC FSE Box Assembly	111714	381

Prices subject to change without notice.

Description	Part. No.	List Price
6211, 6211AL, 6212 12VDC FS DS Box Assembly	111715	567
6211, 6211AL, 6212 12VDC FSE DS Box Assembly	111716	567
6211, 6211AL, 6212 24VDC FS DS Box Assembly	111717	567
6211, 6211AL, 6212 24VDC FSE DS Box Assembly	111718	567
6211WF, 6212WF 12VDC FS Box Assembly	111727	404
6211WF, 6212WF 12VDC FSE Box Assembly	111728	404
6211WF, 6212WF 24VDC FS Box Assembly	111729	404
6211WF, 6212WF 24VDC FSE Box Assembly	111730	404
6211WF, 6212WF 12VDC FS DS Box Assembly	111731	587
6211WF, 6212WF 12VDC FSE DS Box Assembly	111732	587
6211WF, 6212WF 24VDC FS DS Box Assembly	111733	587
6211WF, 6212WF 24VDC FSE DS Box Assembly	111734	587
6211WF, 6212WF 12VDC FS DS-LC Box Assembly	112764	587
6211WF, 6212WF 12VDC FSE DS-LC Box Assembly	112765	587
6211WF, 6212WF 24VDC FS DS-LC Box Assembly	112766	587
6211WF, 6212WF 24VDC FSE DS-LC Box Assembly	112767	587
6211, 6211AL, 6212 12VDC FS DS-LC Box Assembly	112756	567
6211, 6211AL, 6212 12VDC FSE DS-LC Box Assembly	112757	567
6211, 6211AL, 6212 24VDC FS DS-LC Box Assembly	112758	567
6211, 6211AL, 6212 24VDC FSE DS-LC Box Assembly	112759	567
6216 12VDC FS Box Assembly	111759	405
6216 12VDC FSE Box Assembly	111760	405
6216 24VDC FS Box Assembly	111761	405
6216 24VDC FSE Box Assembly	111762	405
6216 12VDC FS DS Box Assembly	111763	588
6216 12VDC FSE DS Box Assembly	111764	588
6216 24VDC FS DS Box Assembly	111765	588
6216 24VDC FSE DS Box Assembly	111766	588
6216 12VDC FS DS-LC Box Assembly	112780	588
6216 12VDC FSE DS-LC Box Assembly	112781	588
6216 24VDC FS DS-LC Box Assembly	112782	588
6216 24VDC FSE DS-LC Box Assembly	112783	588
6221, 6223 12VDC FS Box Assembly	111735	416
6221, 6223 12VDC FSE Box Assembly	111736	416
6221, 6223 24VDC FS Box Assembly	111737	416
6221, 6223 24VDC FSE Box Assembly	111738	416
6223 12VDC FS DS Box Assembly	111739	602
6223 12VDC FSE DS Box Assembly	111740	602
6223 24VDC FS DS Box Assembly	111741	602
6223 24VDC FSE DS Box Assembly	111742	602
6223 12VDC FS DS-LC Box Assembly	112768	602
6223 12VDC FSE DS-LC Box Assembly	112769	602
6223 24VDC FS DS-LC Box Assembly	112770	602
6223 24VDC FSE DS-LC Box Assembly	112771	602
<b>Dual Monitor Switch Replacement Kits</b>		
6100, 6200 DS Replacement Kit Type A – Standard Back Box	050011	228
6100, 6200 DS Replacement Kit Type B – Special Back Box	050015	228
6100, 6200 DS-LC Replacement Kit Type A – Standard Back Box	050016	228
6100, 6200 DS-LC Replacement Kit Type B – Special Back Box	050018	228

Prices subject to change without notice.

# Electric Strike - Parts (continued)

Description	Part. No.	622, 689, 695	US32D	List Price			
				US10, US10B	US4	US3	US32
<b>Faceplates</b>							
4200 Faceplate, Round Corner	090110	–	20	–	–	–	–
4200 Faceplate, Square Corner	090114	–	20	–	–	–	–
5100 Faceplate Package - Standard 4 7/8"	050031	28	–	–	–	–	–
5100 Faceplate Package - Round Corner 4 7/8"	050032	28	–	–	–	–	–
5100 Faceplate Package – Long 7 15/16"	050033	28	–	–	–	–	–
6111 Faceplate	970271	–	416	458	416	569	478
6112, 6121 Faceplate	970303	–	379	489	379	577	337
6113 Faceplate	970280	–	412	427	412	559	427
6114 Faceplate	970300	–	343	424	386	478	357
6210 Faceplate	971198	–	285	401	285	455	386
6211AL Faceplate	970272	–	362	424	362	511	369
6211, 6211WF Faceplate	968716	–	300	341	300	428	304
6212, 6212WF Faceplate	969584	–	428	480	428	527	487
6213 Faceplate	970278	–	397	432	397	533	432
6214 Faceplate	971417	–	469	497	456	637	489
6215 Faceplate	971415	–	378	424	378	497	386
6216 Large Faceplate Insert	970407	–	111	129	111	155	135
6216 Small Faceplate Insert	970415	–	111	129	111	155	135
6216 Faceplate Less Inserts	971385	–	517	542	517	729	502
6221 Faceplate	970276	–	503	553	503	603	573
6222 Faceplate	970305	–	727	773	727	986	727
6223 Faceplate	970274	–	362	417	362	521	417
6224 Faceplate	970302	–	484	506	469	649	500
6224AL Faceplate	970310	–	497	551	497	690	506
6225 Faceplate	970306	–	658	697	658	793	727
6226 Faceplate	970301	–	337	382	337	493	346

Description	Part. No.	Non-Finished	US32D	List Price			
				US10, US10B	US4	US3	US32
<b>Screw &amp; Mounting Packages</b>							
4200 Hardware Kit (includes: mounting tab hardware, mounting screws, allen wrench and diode)	050805	16	–	–	–	–	–
5100 Mounting Package	PKGMTG.1004	–	14	–	–	–	–
5100 Mounting Package (Black)	PKGMTG.1005	14	–	–	–	–	–
5100 Series Screw Package	PKGSCR.1003	–	14	–	–	–	–
5100 Series Screw Package (Black)	PKGSCR.1004	14	–	–	–	–	–
6111, 6113 Screw Package	900870	–	12	12	12	12	12
6112, 6121 Screw Package	900881	–	13	14	14	14	14
6114 Screw Package	900882	–	13	14	14	14	14
6210 Strike Pocket Insert Mounting Package	900966	11	–	–	–	–	–
6210/11/13/14/16, 6222/24/25/26 Screw Package	900288	–	14	14	14	14	14
6211WF, 6212WF, 6221/23 Screw Package	900885	–	12	12	12	12	12
6212 Screw Package	900290	–	13	13	13	13	13
6216 Inserts and Screw Package	900345	271	–	–	–	–	–
Screw: 8-32 x 3/8" PPHMS	964070	11	–	–	–	–	–
Screw: 6-32 x 3/8" PPHMS Type 2A	964190	11	–	–	–	–	–

Prices subject to change without notice.

(continued) **Parts - Electric Strike**

Description	Part. No.	List Price
<b>Solenoid Parts</b>		
5100 Solenoid Kit 12/24VDC	050034	77
6100, 6200 Series Solenoid Kit 12VDC (FS & FSE)	050237	118
6100, 6200 Series Solenoid Kit 16 VDC (FS & FSE)	050239	118
6100, 6200 Series Solenoid Kit 24VDC (FS & FSE)	050240	118
6100, 6200 Series Solenoid Kit 28VDC	050699	115
Solenoid Spring	968713	13
Solenoid Washer	964037	11

<b>Spring Kits</b>		
6111/13, 6213, 6221/23 Spring Kit	050942	36
6112/14/21, 6214/15/22/24/24AL/25/26 Spring Kit	050943	36
6210 Spring Kit	050940	42
6211/12 Spring Kit	050939	36
6216 Spring Kit	050941	42

Description	Part. No.	Non-Finished	List Price		
			US4, US10, US10B, US32D	US3	US32
<b>Miscellaneous Hardware</b>					
#8 Ext. Tooth Lock Washer	964019	11	-	-	-
4200 Hardware Kit (includes: mounting tab hardware, mounting screws, allen wrench and diode)	050805	16	-	-	-
Entry Buzzer (FSE application only)	050242	42	-	-	-
12 VAC to 12 VDC Rectifier Kit	010057	43	-	-	-
24 VAC to 24 VDC Rectifier Kit	010058	43	-	-	-
6100, 6200 Series DS-LC Switch & Clip Assembly	113232	181	-	-	-
6111, 6113 Shim for blade stop applications (Specify finish)	010055	171	-	-	-
6113 Frame Insert Package	900347	11	-	-	-
6121 Housing Cover (Specify Finish)	970412		375	493	503
6210 Auxiliary Bolt Plate Package	900584	40	-	-	-
6212 Strike Pocket Insert/Mounting Tab	900292	30	-	-	-
6216 Inserts and Screw Package	900345	271	-	-	-
6300, 6400 Cable (Pigtail) Kit	050803	52	-	-	-
<b>6300 Strike Shim - 1/16"</b>	050804	65	-	-	-
6100, 6200 (9100) Filler Bracket Kit	050749	56	-	-	-
Connector	990132	12	-	-	-
DS Tripper Extension & Connector	900344	30	-	-	-
DS Tripper Extension	970384	12	-	-	-
FS Slider (Except 6211WF/6212WF/6221/6223)	090591	36	-	-	-
FSE Slider (Except 6211WF/6212WF/6221/6223)	090798	36	-	-	-
6400 Hardware Kit	050819	84	-	-	-

Prices subject to change without notice.

# Electrified Kits - Parts

Description	Part. No.	List Price
<b>Electric Latch Retraction</b>		
EL Dogging Rod - 3'	050531	64
EL Dogging Rod - 4'	050532	64
EL Dogging Rod Retainer	050538	14
EL Solenoid & Plunger	050535	357
HD-EL Solenoid	050536	357
HD-EL Solenoid Plunger	050537	131
EL Plunger Bracket-94/95	972471	32
Pulse Width Module	050534	314
EL/QEL 6' Cable Assembly	110388	47
EL Receptacle Connector	050539	13
EL Female Terminal	050540	13
HD-EL Dog Screw	050541	16
HD-EL Dogging Spring	050543	16
HD-EL Solenoid Bracket	050542	29
QEL Cable Package (includes short QEL motor cable)	114320	12
QEL Extended Cable Assembly (includes QEL 6' cable and short QEL motor cable)	116549	60
<b>QEL Motor Cable with QEL CON Adapter Harness</b>	<b>040069-00</b>	<b>38</b>
<b>6000 Strike Solenoid CON Adapter Harness</b>	<b>106187</b>	<b>14</b>
<b>E7500 Solenoid/QEL/EL CON Adapter Harness</b>	<b>106198</b>	<b>12</b>
EL Baseplate Conversion Kit 3'	050070	1,138
EL Baseplate Conversion Kit 4'	050078	1,138
EL Baseplate Conversion Kit 3' with Allegion Connect - CON	050853	1,138
EL Baseplate Conversion Kit 4' with Allegion Connect - CON	050854	1,138
HD-EL Baseplate Conversion Kit 3' (Hex Dogging included - Panic Only)	050384	1,138
HD-EL Baseplate Conversion Kit 4' (Hex Dogging included - Panic Only)	050385	1,138
HD-EL Baseplate Conversion Kit 3' (Hex Dogging included - Panic Only) with Allegion Connect - CON	050855	1,138
HD-EL Baseplate Conversion Kit 4' (Hex Dogging included - Panic Only) with Allegion Connect - CON	050856	1,138
QEL Modular Conversion Kit	114317	941
QEL Modular Conversion Kit with Allegion Connect - CON	040061	941
<b>QELX Modular Conversion Kit for AX devices</b>	<b>041162</b>	<b>1001</b>
<b>QELX Modular Conversion Kit for AX devices with Allegion Connect -CON</b>	<b>041163</b>	<b>1001</b>
HD-QEL Modular Conversion Kit (Hex Dogging included - Panic Only)	958002	941
HD-QEL Modular Conversion Kit (Hex Dogging included - Panic Only) with Allegion Connect - CON	040062	941
<b>HD-QELX Modular Conversion Kit for AX devices (Hex Dogging Included - Panic Only)</b>	<b>041164</b>	<b>1001</b>
<b>HD-QELX Modular Conversion Kit for AX devices (Hex Dogging Included - Panic Only) with Allegion Connect -CON</b>	<b>041165</b>	<b>1001</b>
QEL Baseplate Conversion Kit 3'	958003	989
QEL Baseplate Conversion Kit 4'	040065	989
QEL Baseplate Conversion Kit 3' with Allegion Connect - CON	040063	989
QEL Baseplate Conversion Kit 4' with Allegion Connect - CON	040066	989
<b>QELX Baseplate Conversion Kit for AX devices 3'</b>	<b>041166</b>	<b>1049</b>
<b>QELX Baseplate Conversion Kit for AX devices 4'</b>	<b>041167</b>	<b>1049</b>
<b>QELX Baseplate Conversion Kit for AX devices 3' with Allegion Connect -CON</b>	<b>041168</b>	<b>1049</b>
<b>QELX Baseplate Conversion Kit for AX devices 4' with Allegion Connect -CON</b>	<b>041169</b>	<b>1049</b>
HD-QEL Baseplate Conversion Kit 3' (Hex Dogging included - Panic Only)	958004	989
HD-QEL Baseplate Conversion Kit 4' (Hex Dogging included - Panic Only)	040067	989
HD-QEL Baseplate Conversion Kit 3' (Hex Dogging included - Panic Only) with Allegion Connect - CON	040064	989
HD-QEL Baseplate Conversion Kit 4' (Hex Dogging included - Panic Only) with Allegion Connect - CON	040068	989
<b>HD-QELX Baseplate Conversion Kit for AX devices 3' (Hex Dogging Included - Panic Only)</b>	<b>041170</b>	<b>1049</b>
<b>HD-QELX Baseplate Conversion Kit for AX devices 4' (Hex Dogging Included - Panic Only)</b>	<b>041171</b>	<b>1049</b>
<b>HD-QELX Baseplate Conversion Kit for AX devices 3' (Hex Dogging Included - Panic Only) with Allegion Connect -CON</b>	<b>041172</b>	<b>1049</b>
<b>HD-QELX Baseplate Conversion Kit for AX devices 4' (Hex Dogging Included - Panic Only) with Allegion Connect -CON</b>	<b>041173</b>	<b>1049</b>
QEL 94/95 Inpact Modular Conversion Kit	958005	941
<b>Pneumatic Latch Retraction</b>		
Pneumatic Power Transfer	012014	638
PN 5/32" Tubing - 25'	051828	26
PN 5/32" Tubing - 50'	051823	34
PN 5/32" Tubing - 100'	051824	58
PN 5/32" Tubing - 200'	051825	109
Pneumatic Solenoid Kit	051826	874
PN ADAPTER KIT - 5/32" to 1/4" LCN Tubing	051827	39

Prices subject to change without notice.

(continued) **Parts - Electrified Kits**

Description	Part. No.	List Price
<b>Chexit</b>		
Chexit PCB Kit - 15 second release	040086	1,057
Chexit PCB Kit - 30 second release	040088	1,195
Chexit PCB KIT - 0 Second Delay release	040089	1,195
Chexit PCB Kit - 15 Second Boca release	040091	1,195
<b>Chexit CON Adapter Harness</b>	<b>116724</b>	<b>102</b>
Chexit PCB Kit - Infinite Release	040087	1,195
DE5300/RCM PCB Kit - 15 Second release	090943	1,005
DE5300/RCM Key Switch Assy	040169	127
DE5300/RCM PCB Kit - 0 Second release	050899	1,143
RCM/DE5300 Cable Kit	040188	116
CX99-RCM Kit Less Module	040198	267
CX98-RCM Kit Less Module	040199	267
CX-RCM Cable Assy	040092	71
Chexit Wiring Assembly	040191	203
Sign 15 Second - Chexit/DE5300	113781	60
Sign 30 Second - Chexit/DE5300	113782	64
CX Motor Cable Kit	040192	12
CX Trim Device Cable Kit	040193	24
CX RX Switch Assembly Kit	116717	243
CX Key Switch Assy 3' Device	040170	122
CX Key Switch Assy 4' Device	040189	122
CX Wire Guard	47267412	45

Description	Part. No.	List Price Non-Finished
<b>Switch</b>		
LX-RX 94/95 Switch Wire Assembly (R/Y/B)	110360	116
SS Cable	050544	140
SS Housing	050545	468
RX Switch Assy	050251	256
RX-LC Switch Assy	050281	297
RX-2 Switch Assy	050270	318
RX-Aux Switch Assy	050271	266
WP-RX-AUX Switch Assy	051881	369
LX Switch Assy 3'	050254	256
LX Switch Assy 4'	050255	256
LX-LC Switch Assy 3'	050283	297
LX-LC Switch Assy 4'	050285	297
LX-RX Switch Assy 3'	050256	387
LX-RX Switch Assy 4'	050257	387
LX-RX-LC Switch Assy 3'	050289	464
LX-RX-LC Switch Assy 4'	050291	464
EL-LX Switch Assy	050247	256
EL-LX-LC Switch Assy	050287	297
EL-LX-RX Switch Assy	050259	387
EL-LX-RX-LC Switch Assy	050293	464
94/95 Impact LX Switch Kit	050226	256

Consult technical support for details.

Prices subject to change without notice.

# Electrified Kits - Parts (continued)

Description	Part. No.	List Price Non-Finished	SP28, SP313
<b>E360 Controls</b>			
E360 FSE SOLENOID KIT	050743	649	-
E360 FS SOLENOID KIT	050744	649	-
<b>E996/M996 Trims</b>			
M996 Mort Conv to Motorized Kit	47273112	740	-
M996 R/V/C Conv to Motorized Kit	47273111	712	-
E996 Mort Conv to E Kit (for 24 VDC)	050673	776	-
E996 R/VC Conv to E Kit (for 24 VDC)	050672	747	-
E996 Locking Mech Kit (includes 24 VDC solenoid)	050671	467	-
E996/M996 Wire Harness	CABLE.10038	48	-
E996/M996 CON Adapter Harness	106183	35	-
Solenoid Kit (for 24 VDC)	050814	125	-
Solenoid Kit (for 12 VDC)	050898	125	-
<b>Alarm Kit</b>			
ALK PCB Assembly	101030	487	-
ALK Cylinder Collar - 22	967704	-	24
ALK Cylinder Collar - 33A/35A/98/99	050525	-	46
ALK Sign	SIGN-1	25	-
ALK Arming Label	969349	13	-
ALK Disarming Label	969350	13	-
ALK Retainer Nut	969354	25	-
ALK Cylinder Spacer	970594	16	-
ALK Switch Actuator	971556	22	-
ALK Cylinder Bracket	971557	14	-
ALK Battery	990637	24	-
ALK CON Adapter Harness	106182	13	-
Cover Plate Anti-Rattle Spring Pkg/10	090036	13	-
		<b>Net Price Non-Finished</b>	
<b>Allegion Connect - Wire Harnesses</b>			
CON-6: Wire Harness, Molex Conn-Both Ends	106190	11	-
CON-12: Wire Harness, Molex Conn-Both Ends	106191	15	-
CON-26: Wire Harness, Molex Conn-Both Ends	106192	17	-
CON-32: Wire Harness, Molex Conn-Both Ends	106193	18	-
CON-38: Wire Harness, Molex Conn-Both Ends	106194	20	-
CON-44: Wire Harness, Molex Conn-Both Ends	106195	19	-
CON-50: Wire Harness, Molex Conn-Both Ends	106196	20	-
CON-192: Wire Harness, Molex Conn-Both Ends	106197	46	-
CON-6P: Wire Harness, Molex Conn, Crimped Pin	106201	14	-
CON-12P: Wire Harness, Molex Conn, Crimped Pin	106202	18	-
CON-26P: Wire Harness, Molex Conn, Crimped Pin	106203	20	-
CON-32P: Wire Harness, Molex Conn, Crimped Pin	106204	21	-
CON-38P: Wire Harness, Molex Conn, Crimped Pin	106205	21	-
CON-44P: Wire Harness, Molex Conn, Crimped Pin	106206	22	-
CON-50P: Wire Harness, Molex Conn, Crimped Pin	106207	23	-
CON-192P: Wire Harness, Molex Conn, Crimped Pin	106208	48	-
CON-6W: Wire Extension to power supply	106210	14	-
CON-Kit, Connector Service Kit	050823	115	-
<b>CON Adapter Harnesses for electrified hardware are located in the parts section with their corresponding products.</b>			
		<b>List Price Non-Finished</b>	
<b>Miscellaneous</b>			
Switch Cover Assy - 4000 Monitor Strikes	105100	137	-
EPT Filler Kit	900978	-	29
900-BAT Power Supply Batteries	44487155	126	-
PS914 Enclosure Door Label	44489870	10	-

Prices subject to change without notice.



# Parts - 26 Series GUARD-X/237 Two Point Latch

## Guard-X 26 Series

Description	Part. No.	Non-Finished	List Price		
			BLACK, US19	SP28, SP313	
2670 Lockside Cover Kit SP28	COVER.109	-	-	193	
2670 Lockside Cover Kit US19	COVER.122	-	193	-	
2670 Lockside Cover Kit SP313	COVER.121	-	-	193	
2670 Hingeside Cover Kit - Silver	COVER.114	-	-	49	
2670 Hingeside Cover Kit - Black	COVER.115	-	49	-	
2670 Hingeside Cover Kit - Brown	COVER.116	-	-	49	
2670 Endcap Kit	ECAP.105	-	29	-	
2670 PCB Kit Field - English	PCB.10018	261	-	-	
2670 PCB Kit Field - Spanish	PCB.10019	261	-	-	
2670 PCB Kit Field - French	PCB.10020	261	-	-	
Alarm Sign - French	SIGN.1001	67	-	-	
Alarm Sign - Spanish	SIGN.1002	67	-	-	
Alarm Sign - English	SIGN.1003	67	-	-	
Cylinder Retaining Bracket Kit	BRKT.121	38	-	-	
Lightpipe Kit	PIPE.101	30	-	-	
2670 Cylinder Tailpiece Extension	050379	11	-	-	
2670 Device Mounting Package US28	PKGMTG.1002	-	-	33	
2670 Device Mounting Package Black	PKGMTG.1003	-	33	-	
2670 Cover Screw Kit SP28	PKGSCR.1001	11	-	-	

## 237 Two Point Latch

Description	Part. No.	Non-Finished	List Price				
			US32D	US10B	US10	US4	US32
237 Top Rod Assembly	112845	-	484	492	445	558	538
237 Bottom Rod Assembly	112844	145	-	-	-	-	-
237 Mounting Plate Package	112835	-	11	15	15	39	11

Prices subject to change without notice.

# Service Replacement - Parts

Description	Part. No.	Non-Finished	List Price			
			US10B, US26D	US10	US4	US3, US26
7500-880TP Retrofit Kit	050122	-	71	71	71	71
End Cap Mtg. Brkt. Screw (Pkg of 30)	090060	55	-	-	-	-
Old Style Hex Dogging Retrofit Kit	050709	71	-	-	-	-
Old Style 227 Dog Key 5/32" (Pkg of 10)	090084	73	-	-	-	-
34/58 Thumb Latch Lift Spring (Pkg of 5)	091030	71	-	-	-	-
34/58 Dog Lock Spring (Pkg of 10)	091031	128	-	-	-	-
34/58 Auxiliary Bolt Spring (Pkg of 10)	091032	211	-	-	-	-
66 Dog Screw (Pkg of 10)	091061	149	-	-	-	-
222 Dog Key 7/32" (Pkg of 10)	091080	100	-	-	-	-
Wedgetite Screw - Fine Thread (Pkg of 10)	091082	67	-	-	-	-
370 Series 6-32 x 1/4 UFPHMS	963150	13	-	-	-	-
370 Series 1/4-20 x 1 Set Screw	963584	13	-	-	-	-
33/3527 Bottom Rod Roll Pin	963585	13	-	-	-	-
SS333NL Backplate Screw 8-32 x 3/8" PPHMS	963712	13	-	-	-	-
10-24 x 1/2" UFPHMS Epoxy Lock	963873	13	-	-	-	-
370 Series 6-32 x 7/16" PPHMS	963902	13	-	-	-	-
333/337 1/4-20 x 2 Socket Set Screw	963905	13	-	-	-	-
370 Series #10 Flat Washer	964375	13	-	-	-	-
Cover Bearing Insert - Old Style	969889	13	-	-	-	-
334/333/337/3308 Sex Bolt Extension	971614	14	-	-	-	-
992L Replacement Cam Kit w/Slider	050155	127	-	-	-	-
992L Replacement Cam Kit Less Slider	050157	52	-	-	-	-
<b>Note Original ship date on Parts listed below</b>						
EL Solenoid Replacement Kit	050218	726	-	-	-	-
For EL Devices shipped before January 1987						
Orbit Knob Assy - 606K/880K Trim	108490	-	215	215	215	215
Orbit Knob Assy - 606K-DT/880K-DT Trim	108493	-	215	215	215	215
880 Knob Booster Spring Assembly	033024	52	-	-	-	-
For Trims shipped before October 1989						
#22 Hitch Pin - Hex/CD Dogging old style	963909	13	-	-	-	-
Dogging Shaft - Hex Dogging Old Style	968112	16	-	-	-	-
CD Actuator Arm - Cylinder Dogg Old Style	968116	14	-	-	-	-
For Devices shipped before July 1997						
7500-373L Retrofit Kit	050124	22	-	-	-	-
For Devices shipped before August 1997						
22/98/9927/-F Btm Latch/Brkt Repl. Kit	050090	-	149	149	149	149
22/98/9927/-F Top Latch/Brkt Repl. Kit	050091	-	149	149	149	149
22/98/9927/27-F Latch Mtg. Screws 1 3/4" Dr	900564	13	-	-	-	-
22/98/9927/27-F Latch Mtg. Screws 2 1/4" Dr	900569	13	-	-	-	-
For Devices shipped before October 1998						
Mechanism End Cap Screw Package	900901	-	13	16	13	13
RX 330/350 Old Style End Cap Mtg. Bracket for Lock Stile	050397	13	-	-	-	-
For Devices shipped before January 2002						
47 Btm Latch Spirol Pin (Pkg of 10)	090062	16	-	-	-	-
For Devices shipped before April 2003						
376WDC Rod member Kit 1 3/4"	109113	137	-	-	-	-
376WDC Rod Member Kit 2" Door	900583	-	146	146	146	146
376WDC Rod Member Kit 2 1/4" Door	109118	192	-	-	-	-
For Controls shipped before January 2008						

Prices subject to change without notice.

# Part Number Cross Reference

OLD P/N	NEW P/N	OLD P/N	NEW P/N	OLD P/N	NEW P/N	OLD P/N	NEW P/N
213	050342	101801	050456	106769	050316	111948	113100
011214	050338	101907	050418	106769	050318	111949	050506
011223	050343	102274	050139	106769	050324	111950	050504
011224	050339	102277	050137	106769	050326	112342	050575
011233	050340	102551	050036	106780	050493	112461	111869
011234	050336	102676	050462	107021	050750	112727	050491
011243	050341	102681	050463	107023	050592	112906	050494
011244	050337	102685	050432	107682	050451	112907	050495
011253	050350	102691	050430	107798	050456	112910	050583
011254	050346	102694	050431	108327	050402	112915	050535
011263	050351	102701	050446	108360	050513	112924	050401
011264	050347	102703	050202	108361	050515	112925	050400
011273	050348	102930	114141	108994	PBKIT.1001	113004	050732
011274	050344	103234	050455	108994	PBKIT.1002	113005	050733
011283	050349	104154	050411	108995	PBKIT.1003	113006	050734
011284	050345	104164	050428	108995	PBKIT.1004	113007	050736
050361	050360	104165	050429	109041	050537	113078	050737
061420	050005	104367	050210	109160	050128	113079	050738
062370	050459	104759	050053	109759	050492	113080	050739
090058	090065	105020	050457	109760	050754	113081	050741
100511	050200	105163	050110	109811	900620	113125	050548
100693	050209	105641	050096	109826	050366	113126	050549
100729	050439	105666	050458	109861	050357	113129	050550
100744	050438	106118	050440	110007	050531	113130	050551
100751	050497	106122	050441	110008	050532	113133	050552
100999	050442	106144	050372	110051	050401	113134	050553
101000	050443	106145	050374	110052	050400	114169	050516
101011	050201	106147	050373	110058	050402	945501	090001
101134	050112	106174	050437	110163	050756	950522	090012
101137	050136	106180	050452	110165	050757	951081	050476
101149	050368	106708	050295	110375	050574	951780	090013
101190	050367	106708	050296	110416	050582	951960	050501
101444	050444	106708	050297	110472	050544	951970	050502
101445	050445	106708	050298	110525	110769	952400	050448
101590	050498	106708	050303	110573	050512	952530	050447
101593	050424	106708	050304	110574	050514	956011	PKGSRV.1018
101594	050425	106708	050305	110658	050545	956520	090020
101598	050426	106708	050306	110740	050536	957750	050278
101599	050427	106725	050299	110741	050534	958643	090014
101648	050482	106725	050300	110767	971012	959098	113853
101662	050409	106725	050301	110783	971012	959122	972466
101665	050410	106725	050302	111645	050752	959707	971593
101686	050413	106725	050307	111651	050758	959850	050352
101689	050414	106725	050308	111657	050760	959853	050353
101695	050420	106725	050309	111669	050762	959957	050355
101695	050422	106725	050310	111675	050764	959958	050332
101698	050421	106847	050412	111795	101030	959969	050364
101698	050423	106763	050311	111931	050197	959986	050333
101701	050417	106763	050313	111932	050196	959990	090023
101704	050419	106763	050319	111933	050189	959991	050356
101707	050415	106763	050321	111934	050191	959995	050334
101710	050416	106765	050312	111935	050184	960049	090030
101713	050435	106765	050314	111936	050183	960303	970488
101716	050436	106765	050320	111937	050198	960345	050503
101750	050460	106765	050322	111938	050199	960548	050464
101751	050461	106767	050315	111940	050195	101777	050455
101752	050471	106767	050317	111941	050192	960578	050327
101753	050472	106767	050323	111942	050193	960581	050453

Prices subject to change without notice.

# Part Number Cross Reference

OLD P/N	NEW P/N	OLD P/N	NEW P/N	OLD P/N	NEW P/N	OLD P/N	NEW P/N
960652	050277	966384	050607	969582	090076	971267	050525
960675	050499	966450	971614	969816	050601	971308	090038
960756	050211	966897	050541	969836	050555	971326	050538
960856	050260	967032	050490	969837	050555	971348	090088
961152	050369	967116	90069	969838	050556	971351	090039
961206	050465	967151	051705	969839	050556	971367	090047
961218	050478	967154	051707	969855	050566	971424	050275
961628	050453	967224	090011	969864	050564	971425	050276
961814	050272	967448	090064	969925	972466	971483	050566
961988	900614	967481	090097	969987	050530	971492	090040
963011	900502	967482	050607	969994	050474	971495	090043
963019	090035	967484	050599	969995	050475	971496	090045
963094	090024	967489	050606	970079	90048	971507	090031
963096	090025	967490	050609	970086	050555	971507	050585
963098	900610	967492	050600	970087	050555	971537	090072
963099	090002	967493	050602	970088	050556	971560	050406
963100	050613	967495	090096	970089	050556	971561	050407
963103	090015	967496	090090	970126	970387	971562	050570
963128	090059	967502	050354	970148	970388	971564	050569
963130	090032	967616	050328	970173	968694	971567	050546
963155	090061	967622	050454	970180	971556	971568	050481
963193	090016	967623	050454	970181	971557	971583	050611
963512	090100	967644	050598	970184	050621	971583	PKGSRV.1010
963531	050614	967648	050612	970193	050488	971584	090070
963585	090010	967673	090095	970194	050489	971625	050554
963712	900613	967736	050004	970206	050554	971627	050559
963750	090018	967738	050004	970207	050554	971628	050560
963757	090103	967826	090065	970208	050554	971629	050562
963760	090098	967968	090062	970368	050547	971630	050562
963789	090027	968503	050508	970441	090074	971631	050563
963935	090054	968638	050486	970527	050557	971632	050563
964041	090077	968639	050487	970528	050558	971635	050397
964066	090107	968762	968793	970547	971822	971638	050565
964085	090063	968833	050449	970549	900588	971781	050559
964154	090102	968834	090056	970567	050616	971782	050560
964358	900541	968862	050597	970597	050557	971796	050507
964360	090034	968863	050596	970598	050557	971837	090046
964363	050509	968868	050619	970599	050557	971838	090044
964390	090037	968957	090057	970601	050558	971910	050524
964395		968964	090058	970602	050558	971974	050526
964557	090073	968969	090067	970603	050558	971993	090049
965278	050360	969199	050361	970719	090036	971493	090041
965279	050359	969219	050603	970771	090068	971494	090042
965294	090033	969235	050542	970815	050576	990592	050540
965300	050362	969244	050543	970817	050358	990598	050539
965301	050363	969252	090071	970863	972549	990598	050539
965322	090009	969295	971010	970873	970872		
965325	050273	969297	090075	970909	050500		
965326	050274	969300	661481	970911	050559		
965335	090017	969400	969889	970912	050559		
965506	050505	969369	050477	970914	050560		
965676	090021	969400	969889	970915	050560		
965916	090092	969467	090079	971050	090066		
965917	090091	969855	050566	971052	050562		
965996	050331	969864	050564	971053	050562		
106767	050325	969506	050566	971055	050563		
966165	050370	111939	050194	960577	050279		
		969520	050529	971056	050563		

Prices subject to change without notice.

# Wiring Diagrams

A library of common wiring diagrams are available at no-charge for use in single and double door applications utilizing various configurations of Allegion door hardware products. These diagrams and much more can be accessed through our Knowledge Center tool at <http://kc.allegion.com/>, simply click on the link Common wiring diagrams.

## Custom Wiring Diagrams

When common wiring diagrams do not meet the needs of the job requirements, Allegion offers a service to purchase custom wiring diagrams. All custom wiring diagrams include a point-to-point drawing, a riser diagram, and a detailed theory of operation. Custom wiring diagrams fall into two categories; Standard and Complex.

- Standard drawings: All Allegion products with a single opening and a basic theory of operation. These drawings will be quoted a NET \$250 for each drawing
- Complex drawings: Generic contacts, 3rd party components, complex relay logic, timer circuit logic, any other additional advanced logic. Drawings that fall under this type will receive a NET quote depending on the time required to complete the drawings at an hourly rate of \$200/hour with a \$250 minimum NET

## How to Request a Quote for a Custom Wiring Diagram

- Custom wiring diagrams can only be ordered by and shipped to current Allegion Channel Partners
- Wiring Diagram Request Forms can be obtained by:
  - Sending an email request to [Wiring.Diagram.Request@allegion.com](mailto:Wiring.Diagram.Request@allegion.com)
  - Using the online Distributor Portal under; My Support / Orders & Invoicing
  - Using the form located on page 173
- Once completed, email the completed request form to [Wiring.Diagram.Request@allegion.com](mailto:Wiring.Diagram.Request@allegion.com) for processing
  - Be sure and include the following information to prevent delays to the request:
    - All supporting documentation for non-Allegion products
    - Hardware list with complete part numbers
    - Detailed Theory of operation for all openings
- Upon receipt the custom wiring coordinator will review and clarify the request as needed
- Once all clarifications are resolved a QUOTE#, NET pricing, and lead time will be assigned and communicated to the requestor within 1 business day
- QUOTE# is valid for 90 days
- A purchase order with the QUOTE# must be received for the wiring diagrams to be produced
  - Send the completed PO to [Wiring.Diagram.Request@allegion.com](mailto:Wiring.Diagram.Request@allegion.com)
- Lead time is generally 2-3 weeks from time PO is received, more complex requests will have longer lead times
- Changes to the original request after a quote approval may incur additional charges and affect lead time
- Completed custom wiring diagrams will be emailed to the requestor

**Prices subject to change without notice.**



# Wiring Diagram Request Form



# ALLEGION™

**Must be a Schlage Electronics, LCN, or Von Duprin Dealer**

-----  
Date \_\_\_/\_\_\_/\_\_\_ Project Name \_\_\_\_\_

Dealer/Distributor \_\_\_\_\_

Account # \_\_\_\_\_ Dealer Contact Name \_\_\_\_\_ Phone \_\_\_\_-\_\_\_\_-\_\_\_\_

-----  
Provide a Primary Technical Contact \_\_\_\_\_ Phone \_\_\_\_-\_\_\_\_-\_\_\_\_  
-----

**Provide/Attach the Following**

- All supporting documentation for all non-Allegion products.
  - Included hardware list with complete part numbers.
  - Detailed Theory of Operation for all openings.

**Additional information that helps expedite the project:**

Door Number; Door Size; Door Material;  
Fire Rated Opening; Single/Pair; Double Egress; Interior/Exterior;  
Interlocked Opening; Basic Floor Plan/Traffic Flow

-----  
**E-mail completed form and supporting documentation to**

Wiring.Diagram.Request@allegion.com

Phone: 877-671-7011





# Warranty

**Warranty:** The Company warrants that the product manufactured by it and delivered hereunder will be free of defects in material and workmanship for a period as follows: (1) exit devices and trim for 36 months from the date of placing the product in operation or for 42 months from the date of shipment; (2) electric strikes for 5 years on mechanical components and 1 year on electrical components including the solenoid and wiring from the date of installation; and (3) electrified exit devices and other electrified products for 12 months from the date of placing the product in operation or 18 months from the date of shipment, whichever shall first occur. The Purchaser shall be obligated to promptly report any failure to conform to this limited warranty, in writing, to the Company within said limited warranty period, whereupon the Company shall, at its option, correct such nonconformity, by suitable repair to such product or, furnish a replacement part F.O.B. point of shipment; provided the Purchaser has stored, installed, maintained and operated such product in accordance with good industry practices and has complied with specific recommendations of the Company. Accessories or product furnished by the Company, but manufactured by others, shall carry whatever warranty the manufacturers have conveyed to the Company and which can be passed on to the Purchaser. The Company shall not be liable for any repairs, replacements, or adjustments to the product or any costs of labor performed by the Purchaser or others without the Company's prior written approval.

The effects of corrosion, erosion and normal wear and tear are specifically excluded from this limited warranty. Performance warranties are limited to those specifically stated within the Company's proposal. Unless responsibility for meeting such performance warranties are limited to specified shop or field tests, the Company's obligation shall be to correct in the manner and for the period of time provided above.

The Company makes no other warranty or representation of any kind whatsoever, expressed or implied, except that of title, and all implied warranties of merchantability and fitness for a particular purpose, are hereby disclaimed. No agent, representative, dealer, or employee of Company has the authority to increase or alter the obligations of this limited warranty.

Correction by the Company of nonconformities whether patent or latent, in the manner and for the period of time provided above, shall constitute fulfillment of all liabilities of the Company for such nonconformities, whether based on contract, warranty, negligence, indemnity, strict liability or otherwise with respect to or arising out of such Equipment.

The Purchaser shall not operate product which is considered to be defective, without first notifying the Company in writing of its intention to do so. Any such use of product will be at the Purchaser's sole risk and liability and will not be covered by this limited warranty.

Customer Care: 877-671-7011

RMA requests (Return Material Authorization) are to be directed to Von Duprin, 2720 Tobey Drive, Indianapolis, IN 46219. Attn: Customer Service.

## About Allegion

Allegion (NYSE: ALLE) creates peace of mind by pioneering safety and security. As a \$2 billion provider of security solutions for homes and businesses, Allegion employs more than 7,800 people and sells products in more than 120 countries across the world. Allegion comprises 23 global brands, including strategic brands CISA®, Interflex®, LCN®, Schlage® and Von Duprin®.

For more, visit [www.allegion.com](http://www.allegion.com)

KRYPTONITE ■ LCN ■  ■ STEELCRAFT ■ VON DUPRIN