



72012

1250, 1450, & 4050 Series



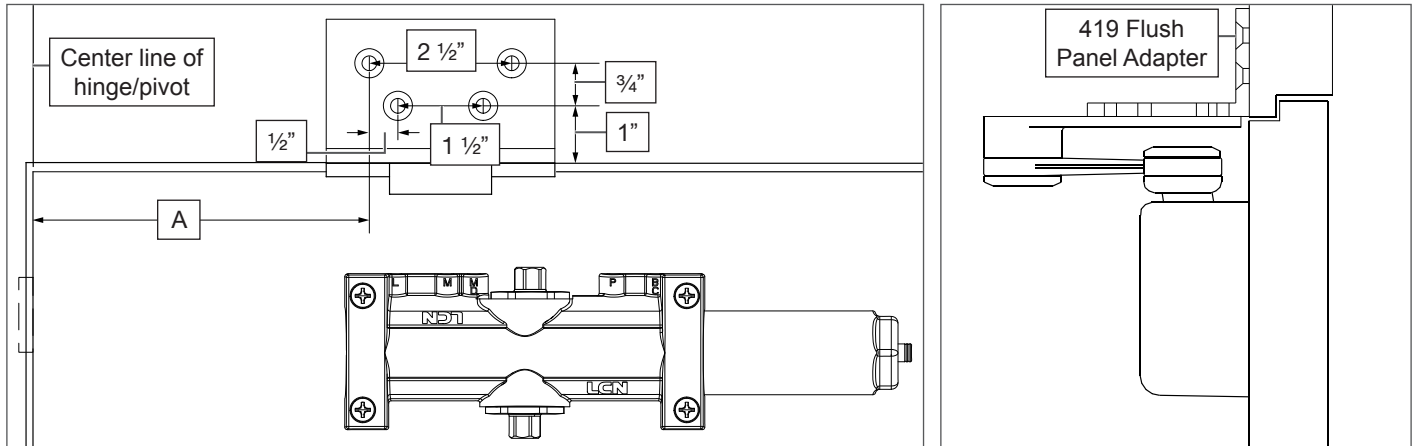
419 Flush Panel Adapter Bracket

Installation Instructions

① LH mounting shown in installation instructions. RH is opposite.

Notes:

1. See appropriate instruction sheet for closer model and arm being used for mounting dimensions and instructions.
2. EDA arm and shoe shown for reference only.



1250 Series		
Mounting Type	Opening	Dimension A
PA Mount	To 100°	9 3/8"
	101° to 130°	7 7/8"
	131° to 180°	5 7/8"
EDA Mount	To 100°	9 3/4"
	101° to 130°	8 1/4"
	131° to 180°	6 1/4"
CUSH/ SCUSH Mount	85°	11 1/4"
	90°	10 1/2"
	95°	9 3/4"
	100°	9 1/8"
	105°	8 1/2"
	110°	7 7/8"

4050 Series		
Mounting Type	Opening	Dimension A
PA Mount	To 100°	9 3/8"
	101° to 130°	7 7/8"
	131° to 150°	6 7/8"
	151° to 180°	5 7/8"
EDA Mount	To 100°	9 3/8"
	101° to 130°	7 7/8"
	131° to 150°	6 7/8"
	151° to 180°	5 7/8"
CUSH/ SCUSH Mount	85°	10 3/4"
	90°	9 7/8"
	95°	9 1/4"
	100°	8 1/2"
	105°	8"
	110°	7 3/8"

1450 Series		
Mounting Type	Opening	Dimension A
PA Mount	To 120°	9 5/8"
	121° to 180°	7 1/8"
EDA Mount	To 120°	9 5/8"
	121° to 180°	7 1/8"
CUSH/ SCUSH Mount	85°	11 1/8"
	90°	10 3/8"
	95°	9 5/8"
	100°	9"
	105°	8 3/8"
	110°	7 3/4"

Customer Service
 1-877-671-7011 www.allegion.com/us



© Allegion 2015
Printed in U.S.A.
72012 Rev. 10/15-a