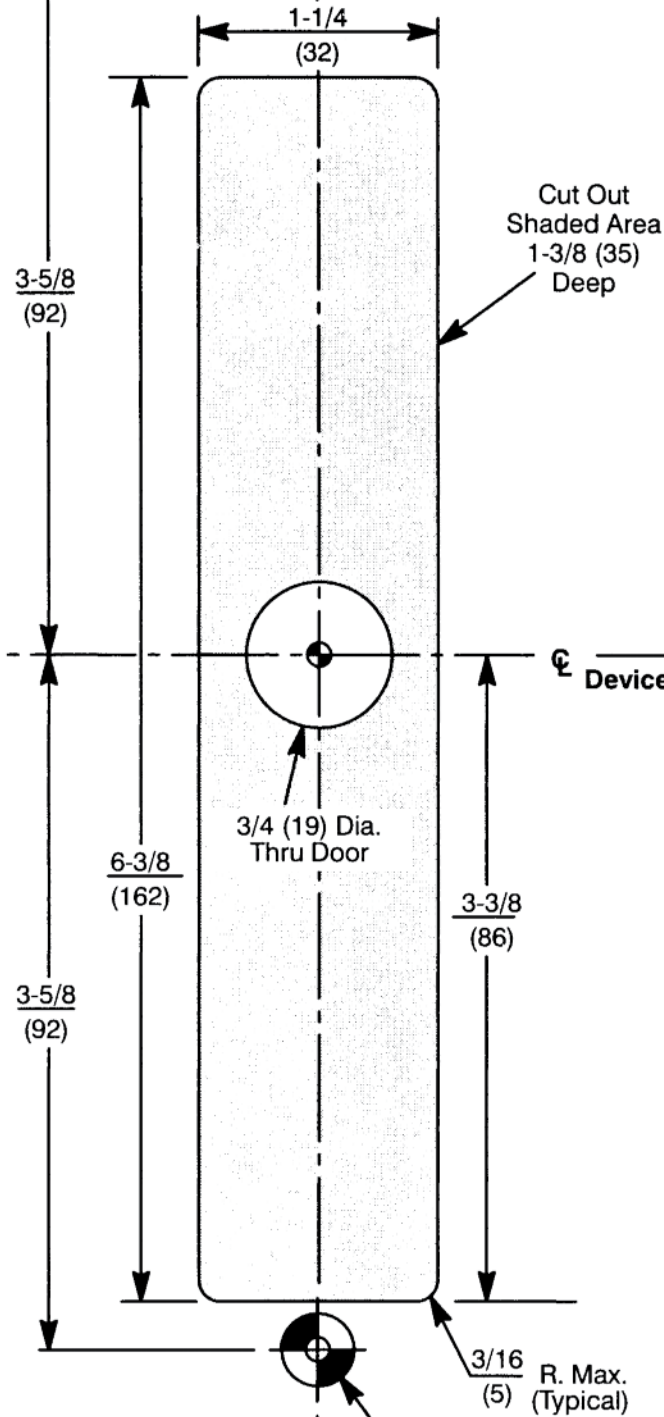


**DOOR
OUTSIDE FACE**

☒ Device Mounting
Holes & Trim

Note:
Dimensions not to scale.
Do not print and use
template as a Door Marker.

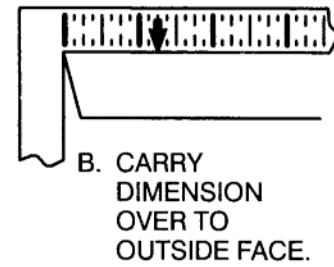
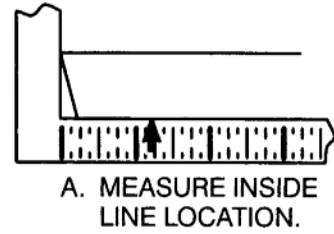


3/8 (10) Dia. Thru
- 2 Holes -

Note:
Dimensions not to scale.
Do not print and use
template as a Door Marker.

Installation Instructions

1. Check box contents. (See other side for box components and assembly instructions.)
2. Carry "Centerline of Device Mounting Holes" to outside door face. Follow steps A and B below.



3. Carry horizontal "Centerline of Device" from inside to outside door face.
4. Align trim template and tape to door outside face.

CAUTION: Office copiers and facsimile machines may change the size of a drawing and make the template inaccurate to use as a door marker. If this is not the original template packed with the trim, use only the dimensions written on the template to locate the holes and cutout on the door (do not use the template as a door marker).

5. Spot holes and prepare door for trim.
6. Mount trim to door. Fasten finger tight with 2 screws packed with device (See Figure 2).

CUT LINE

7. With trim unlocked (tailpiece turning when lever is depressed or knob thumbturn is rotated), cut trim tailpiece as shown in Figure 1.

8. Seat device so that trim tailpiece penetrates cam slot, as shown in Figure 2. Continue as shown in device instructions.



Note:
Knob and thumbturn trim are not handed. Lever trim hand is field reversible. In door pairs, knobs must be no less than 3-3/4 (95) on centers.

Figure 1.
Trim must be unlocked
(tailpiece fully extended)

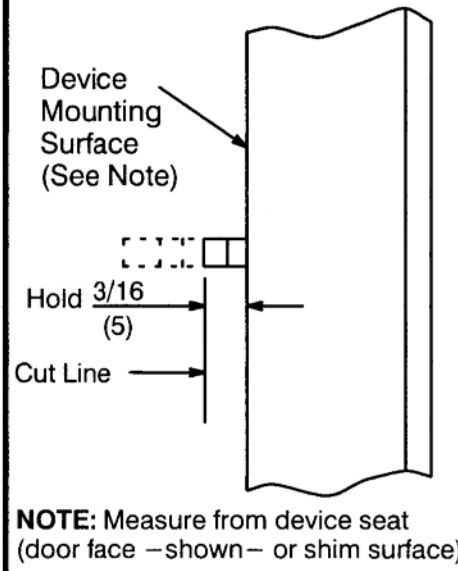
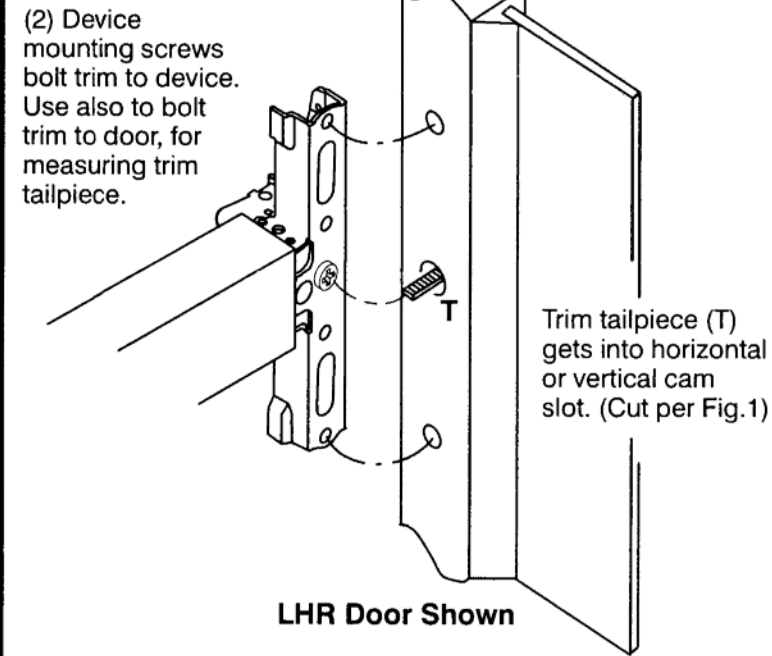


Figure 2.



Dimensions given in $\frac{\text{inches}}{(\text{mm})}$

Cylinder Locks/Unlocks Knob, Lever or Thumbturn.

***855** key removable locked or unlocked

***859** key removable when trim is locked

*designates letter of grip design.

Passage: Knob/Lever/Thumbturn always active.

***810 and *850**

*designates letter of grip design.

Dummy Trim (Knob/Lever rotates without engaging devices).
F02, push-pull door while device is dogged (not for fire devices).

**Corbin
Russwin**

ASSA ABLOY

In U.S.:
Corbin Russwin, Inc.
225 Episcopal Road
Berlin, CT 06037 USA
Phone: 860-225-7411

In Canada:
ASSA ABLOY Door Security Solutions Canada
160 Four Valley Drive
Vaughan, Ontario, Canada L4K 4T9
Phone: 800-461-3007

***810, *850, *855, *859**

Trim Installation Template

* designates letter(s) of grip design

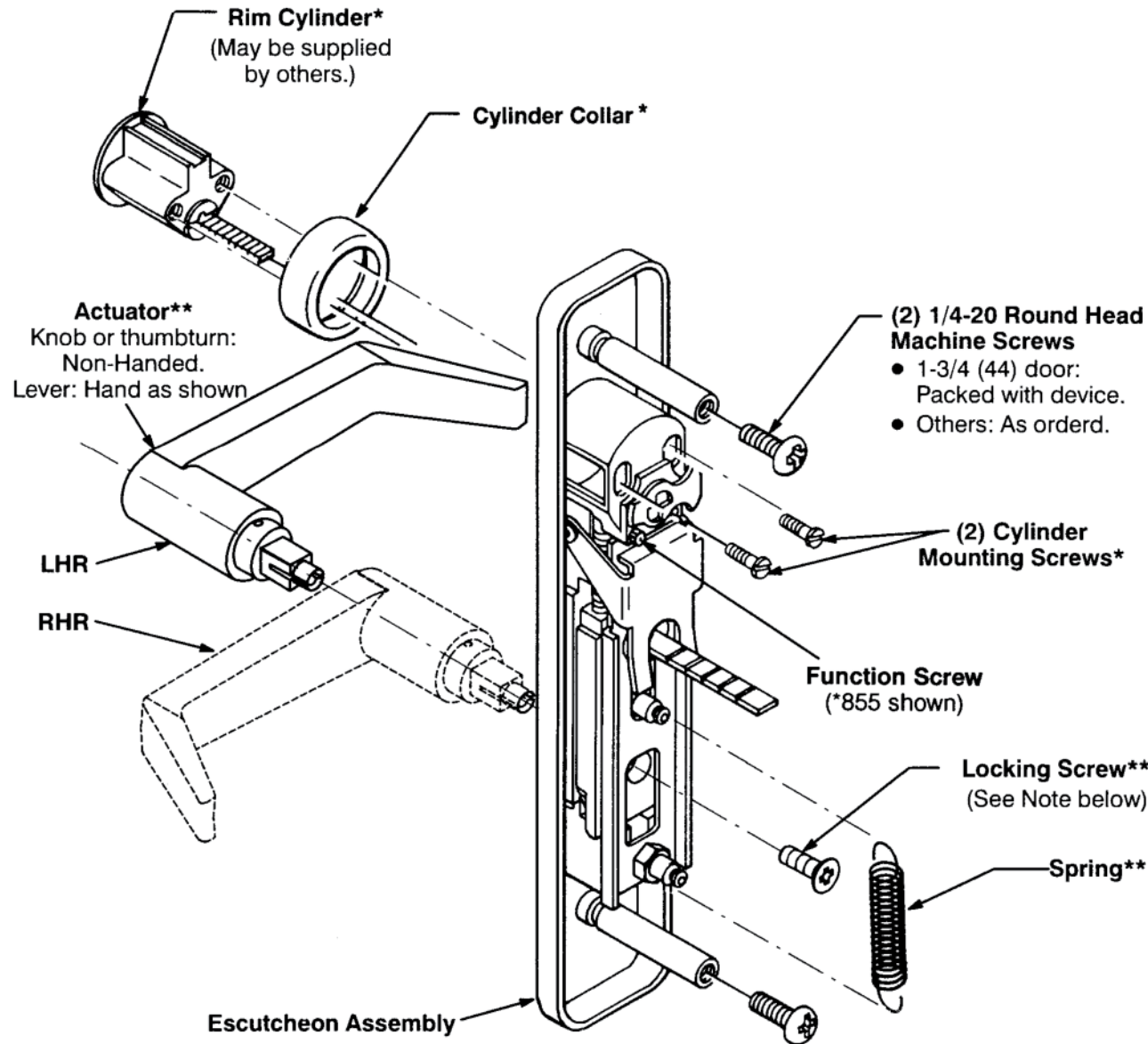
**Corbin
Russwin**

ASSA ABLOY

ASSEMBLY INSTRUCTIONS

Trim	Requirement
G850, G810, O810	None
*810, *850	Check Hand (See illustration below.) To REVERSE HAND, remove and reassemble components marked (**), as shown.
*855, *859	
G855, G859, O855	Assemble Cylinder (see instructions at right).

*designates letter of grip design.



Note: When Locking Screw patch becomes worn or damaged, replace screw or use thread locking compound (available at auto parts stores).

Cylinder Assembly

1. Check cylinder components. Non-standard cylinders may require special collars.
2. Install cylinder using components marked (*). Insert cylinder into collar so that cylinder head is recessed. Slide cylinder into housing, passing tailpiece through slot in housing cam. Cut cylinder mounting screws to length, if required, and fasten cylinder securely. **(DO NOT OVERTIGHTEN SCREWS.)**
3. Check cylinder action. Cylinder must freely rotate tailpiece into lock (cam pushing locking lever down) and unlock (shown) positions. When locking lever is engaged, it depresses the trim spindle. The lever/knob/thumbturn is thus disengaged from the spindle.
4. Cut cylinder tailpiece **(Not trim tailpiece)**. Correct length is 1/16" to 3/16" (2 to 5mm) beyond Cylinder Housing cam.
5. Determine trim function.
*855: As shipped. Key locks/unlocks knob/lever/thumbturn/.
*859: Field move Function Screw to Cylinder Housing hole under cam tip. Key locks/unlocks knob/lever/thumbturn/. Key removable ONLY in locked position.

* designates letter(s) of grip design.