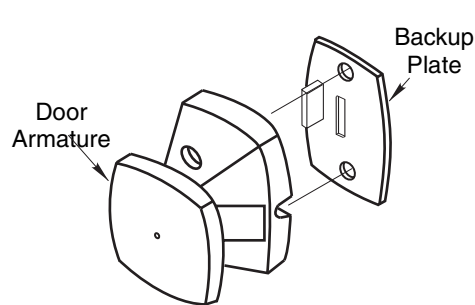
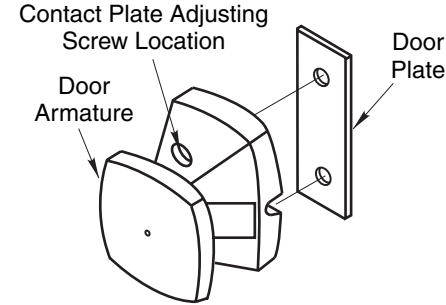


\* FOR WIRING  
SEE NOTE 3

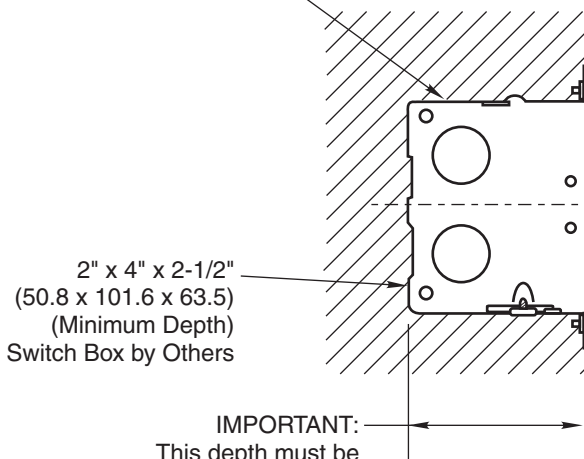


**Surface Applied  
Concealed Mounting**  
Recommended for  
Solid Wood Doors Only



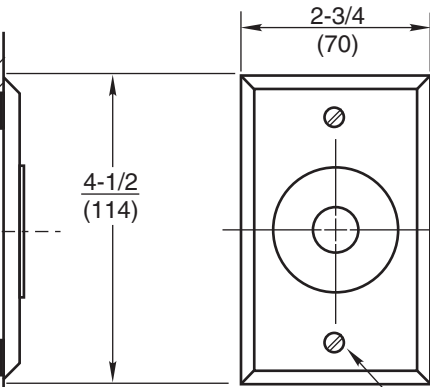
**Thru Bolt Mounting**  
Recommended for  
Hollow Metal, Hollow  
Core or Composite Type  
Wood Doors

Conduit Entry Must Be Made Using  
TOP OR BOTTOM KNOCKOUTS ONLY

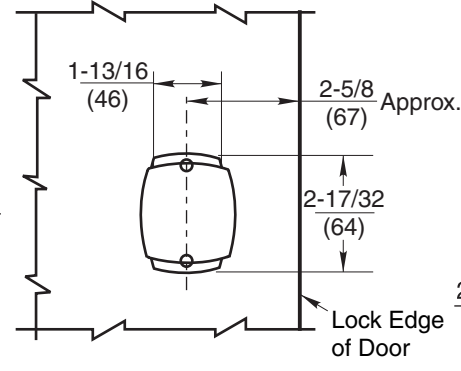


2" x 4" x 2-1/2"  
(50.8 x 101.6 x 63.5)  
(Minimum Depth)  
Switch Box by Others

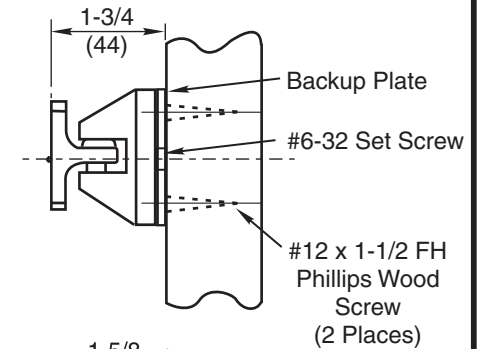
**IMPORTANT:**  
This depth must be  
no less than 2-1/2" (63.5)



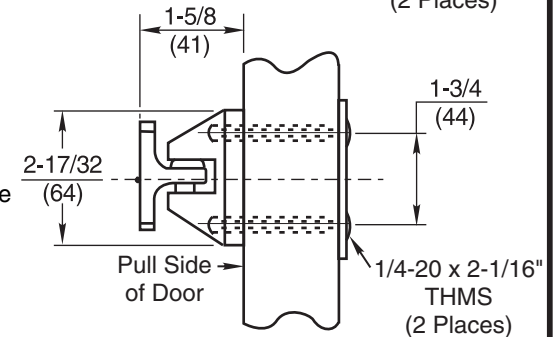
6-32 x 1/2" OHMS  
(2 Places)



Lock Edge  
of Door



Backup Plate  
#6-32 Set Screw  
#12 x 1-1/2 FH  
Phillips Wood  
Screw  
(2 Places)



Pull Side  
of Door

1/4-20 x 2-1/16"  
THMS  
(2 Places)

**Notes:**

1. Do not scale drawing.
2. Total projection 1-7/8" (48mm). (Includes Electromagnet, Armature Assembly and Wall Cover plate.)
3. Non-tri voltage magnets have two non-polarized wires to be connected. Tri voltage magnets are connected using a terminal strip on back of magnet. One wire in common and one wire in the appropriate voltage terminal (non-polarized).
4. See Step 1 on Installation Instructions for Switch Box location. Anchor Switch Box to

5. withstand a minimum 50 lb. pull. Switch Box shown installed in vertical position.
6. Door closing mechanism should have a 3 lb. closing force at the degree of door opening where door armature and electromagnet engage.
7. Door hardware must not project more than 1-5/8" (48mm) on pull side of door.
8. Mounting of Switch Box should be reinforced to withstand shock of door opening. Failure to do so will cause Box anchors to work loose.
9. All dimensions given in inches (mm).

**FM990 Door Release**

**RIXSON®**

**ASSA ABLOY**

www.rixson.com

TEMPLATE NUMBER

DATE

**DR100210A**

**07-13**

1. Use table to locate Switch Box.

2. Determine door width (Dim "B"). Measure pivot centerline to wall (Dim. "A"). Find dimension "C" in table.

Example: Pivot centerline to wall ("A") = 10" (254mm)  
 Door Width ("B") = 36" (914mm)  
 Switch Box Centerline ("C") = 33" (838mm)

3. If "A" or "B" falls between the numbers listed in table, allow for difference.

Example: Pivot centerline to wall ("A") = 7" (178mm)  
 Door Width ("B") = 36" (914mm)  
 Switch Box Centerline ("C") = 33-5/8" (854mm)

4. If dimensions "A" and "B" intersect in shaded area of table DO NOT

INSTALL SWITCH BOX. The degree of door opening will not permit proper alignment between armature and wall magnet.

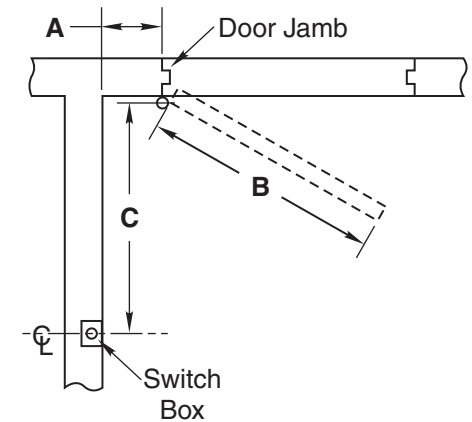
5. Height to be determined by others. Suggested height is 2' - 4' (610mm - 1219mm) from floor and/or not over 6' (1829mm).

6. Check degree of door opening in table and coordinate with door closers and other door hardware.

7. Total projection of door hardware must not project more than 1-5/8" (41mm) on pull side of door.

"A" – Pivot Centerline to Wall  
 "B" – Door Width  
 "C" – Pivot Centerline to Switch Box Centerline

Location of Switch Box



Dim. "A"	Door Width "B"																							
	28" (711)		30" (762)		32" (813)		34" (864)		36" (914)		38" (965)		40" (1016)		42" (1067)		44" (1118)		46" (1168)		48" (1219)			
"C"	Deg.	"C"	Deg.	"C"	Deg.	"C"	Deg.	"C"	Deg.	"C"	Deg.	"C"	Deg.	"C"	Deg.	"C"	Deg.	"C"	Deg.	"C"	Deg.	"C"	Deg.	
2" (51)	26" (660)	92°	28" (711)	92°	29-7/8 (759)	92°	32" (813)	93°	34-1/8 (867)	93°	36" (914)	92°	37-7/8 (962)	92°	40" (1016)	93°	42" (1067)	93°	43-7/8 (1114)	92°	45-5/8 (1159)	92°		
4" (102)	26" (660)	97°	28" (711)	96°	29-7/8 (759)	96°	32" (813)	95°	34-1/8 (867)	95°	36" (914)	95°	37-7/8 (962)	95°	40" (1016)	95°	42" (1067)	95°	43-7/8 (1114)	94°	45-5/8 (1159)	94°		
6" (152)	25-5/8 (651)	102°	27-5/8 (702)	101°	29-5/8 (753)	100°	31-3/4 (807)	99°	33-3/4 (857)	98°	35-3/4 (908)	97°	37-3/4 (959)	97°	39-7/8 (1013)	97°	41-7/8 (1064)	97°	43-3/4 (1111)	97°	45-1/2 (1156)	97°		
8" (203)	25-1/8 (638)	106°	27-1/4 (692)	105°	29-1/4 (743)	104°	31-3/8 (797)	103°	33-1/2 (851)	102°	35-1/2 (902)	101°	37-3/8 (949)	101°	39-1/2 (1003)	101°	41-1/2 (1054)	101°	43-3/8 (1102)	100°	45-1/4 (1149)	99°		
10" (254)							31" (787)	105°	33" (838)	106°	35" (889)	105°	37" (940)	104°	39-1/8 (994)	104°	41-1/8 (1045)	104°	43-1/8 (1095)	103°	45" (1143)	102°		
12" (305)																			42-5/8 (1083)	105°	44-1/2 (1130)	104°		

Dimensions given in inches (mm).

Suggested Switch Boxes			Utility Conduit Boxes		
Mfr.	No.	Size	Mfr.	No.	Size
Steel City	CD	3" x 2" x 2-1/2" Deep (76.2 x 50.8 x 63.5)	Universal	58371-1/2	4" x 2-1/8" x 2-1/2" Deep (101.6 x 54 x 63.5)
Appleton	222			58371-3/4	
Bowers	52				
Raco	500				

A 4" (101mm) square outlet box with a 3/4" (19mm) or 1" (25mm) raised cover for single devices may also be used.

## FM990 Door Release Location Sheet

**RIXSON**

ASSA ABLOY

www.rixson.com

TEMPLATE NUMBER

**DR100210B**

DATE

**07-13**