

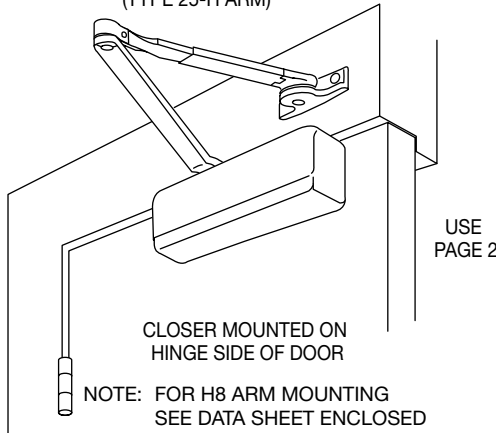
MODEL 281 POWERGLIDE SERIES INSTRUCTIONS FOR INSTALLING SARGENT DOOR CLOSERS WITH "H" HOLDER ARMS



281 SERIES NON SIZED ADJUSTABLE SIZES 1 THRU 6
CAUTION: FAILURE TO INSTALL OR ADJUST PROPERLY MAY RESULT IN INJURY OR DAMAGE.
FOR ASSISTANCE, CALL SARGENT AT 1-800-727-5477.

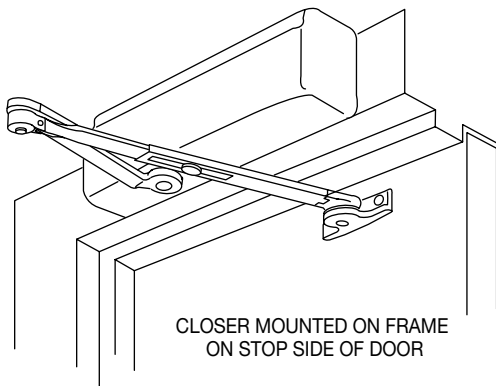
1 STANDARD & TOP JAMB APPLICATIONS

STANDARD APPLICATION*
(TYPE 25-H ARM)

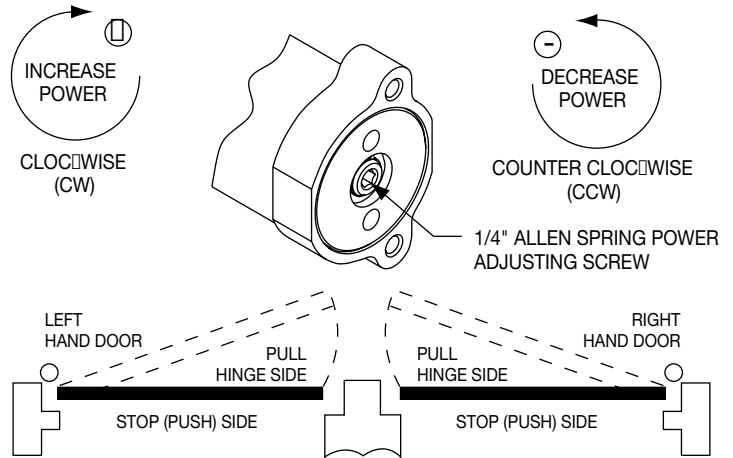


DOOR WIDTH (INCHES)	APPROXIMATE DOOR WEIGHT (POUNDS)	NUMBER OF TURNS OF SPRING POWER ADJUSTING SCREW FROM FACTORY SETTING (USE CHART AS GUIDE ONLY)	
		281 EXTERIOR DOORS	INTERIOR DOORS
24	80	FACTORY SET	
30	110	1-5 CW	
32	115		
36	130	5-8 CW	1-5 CCW
40	150		
42	155	8-13 CW	FACTORY SET
44	165		
46	170	13-15 CW	1-5 CW
48	180		
OVER 48		UP TO 19 CW AS REQ.	5 CW AND UP AS REQ.

TOP JAMB APPLICATION*
(TYPE 25-H, 25-HZ, 25-HZA)

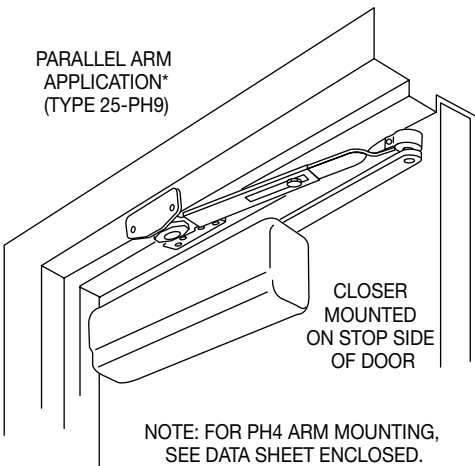


ADJUST SPRING POWER ACCORDING TO CHART



STANDARD & TOP JAMB APPLICATIONS

PARALLEL ARM APPLICATION*
(TYPE 25-PH9)



DOOR WIDTH (INCHES)	APPROXIMATE DOOR WEIGHT (POUNDS)	NUMBER OF TURNS OF SPRING POWER ADJUSTING NUT FROM FACTORY SETTING (USE CHART AS GUIDE ONLY)	
		281 EXTERIOR DOORS	INTERIOR DOORS
24	80	2-7 CW	
30	110		
32	115	7-11 CW	1-5 CCW
36	130		
40	150	11-15 CW	FACTORY SET
42	155		
44	165	15-17 CW	1-8 CW
46	170		
48	180		
OVER 48		UP TO 19 CW AS REQ.	8 CW AND UP AS REQ.

*IF INTERIOR DOORS DO NOT HAVE TO COMPLY WITH ADA REQUIREMENTS, EXTERIOR DOOR SETTINGS ARE RECOMMENDED. WHERE STRONG DRAFTS EXIST, INCREASE SPRING POWER AS NEEDED BY TURNING SPRING ADJUSTMENT SCREW CLOCKWISE. IF NECESSARY, REDUCE SPRING POWER BY TURNING SCREW COUNTERCLOCKWISE.

281 STANDARD APPLICATION FOR "H" ARM INSTRUCTIONS

SARGENT

ASSA ABLOY

IMPORTANT: USE ALTERNATE MOUNTING IF DOOR CAN OPEN BEYOND LIMITS SHOWN FOR STANDARD MOUNTING

ARM TYPE	MOUNTING	MAX. DOOR OPENING	DIM. A	DIM. B
"H" HOLDER	STANDARD	105°	7 3/4"	13 1/4"
	ALTERNATE	160°	4 1/2"	10"

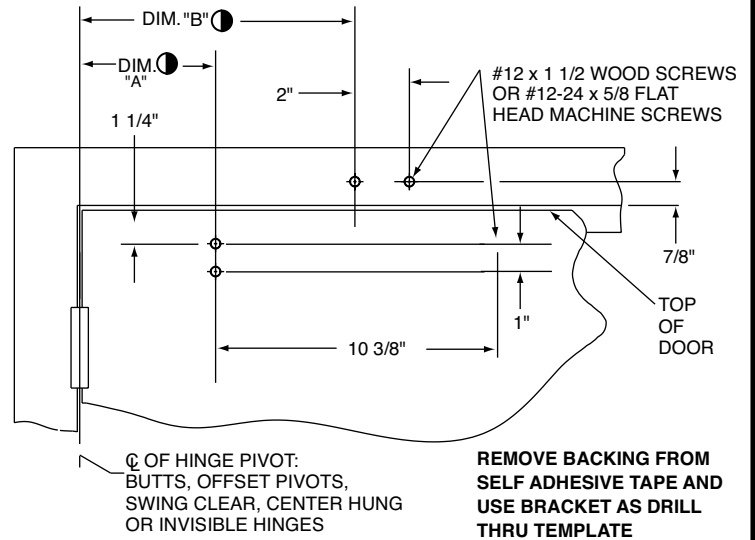
IF BUTT, FRAME AND WALL CONDITIONS PERMIT DOOR WILL OPEN 180°

1 RIGHT HAND DOOR SHOWN. LEFT HAND DOOR OPPOSITE.

2 THIS DIMENSION IS TAKEN FROM HINGE EDGE OF DOOR FOR INVISIBLE HINGES.

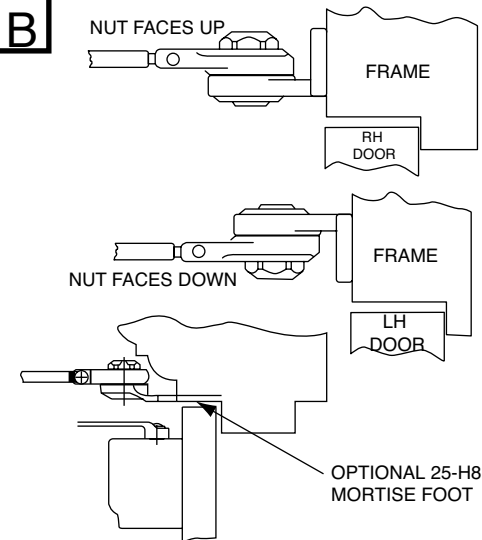
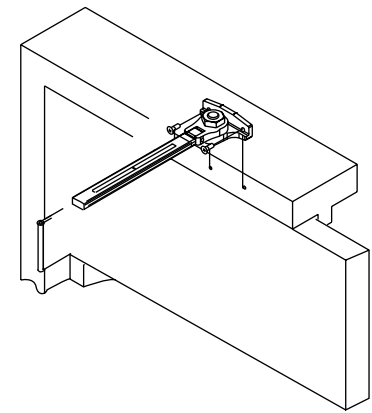
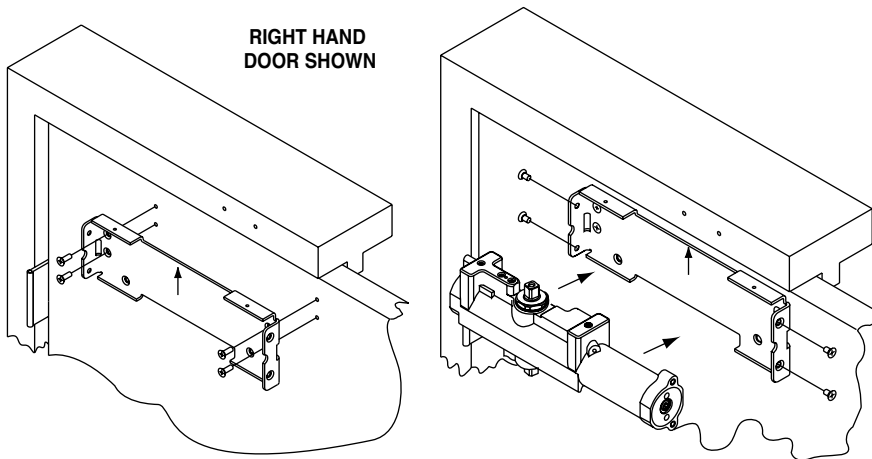
DRILL & TAP AND USE SCREWS PROVIDED OR USE MORTISE NUTS WHEN REQUIRED.

ALTERNATE MOUNTING IS RECOMMENDED FOR ADA COMPLIANT DOORS

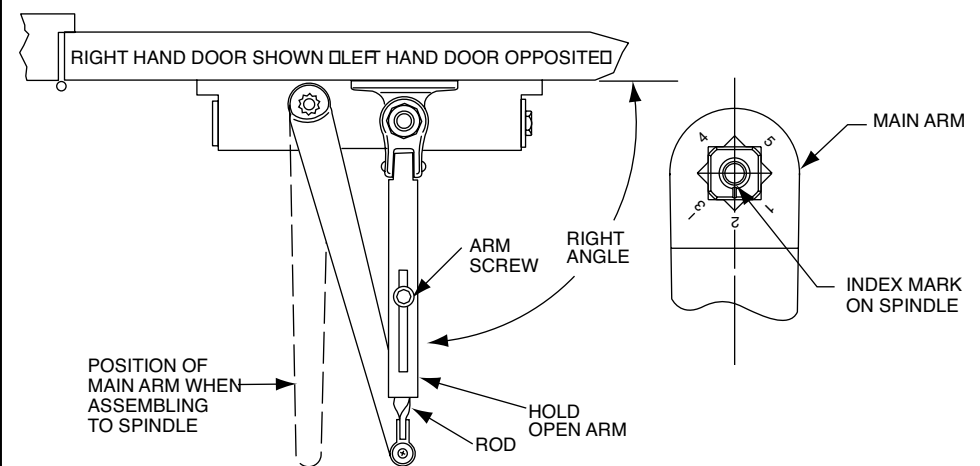


A INSTALL MOUNTING BRACKET WITH ARROW POINTING UP FOR BOTH RH & LH DOORS AND INSTALL CLOSER WITH SPRING ADJUSTMENT SCREW AWAY FROM HINGE.

B ATTACH FOOT TO FRAME AS SHOWN.



C ATTACH ARM WITH INDEX MARK ON SPINDLE ALIGNED AS SHOWN. SECURE WITH SCREW AND WASHER. INSERT ROD END INTO SWIVEL ARM AND TIGHTEN ARM SCREW AS SHOWN BELOW.



ASSA ABLOY, the global leader in door opening solutions

Copyright © 2003, 2008, 2014, Sargent Manufacturing Company, an ASSA ABLOY Group company. All rights reserved. Reproduction in whole or in part without the express written permission of Sargent Manufacturing Company is prohibited.

A7313C

2

281 TOP JAMB APPLICATION INSTRUCTIONS

SARGENT

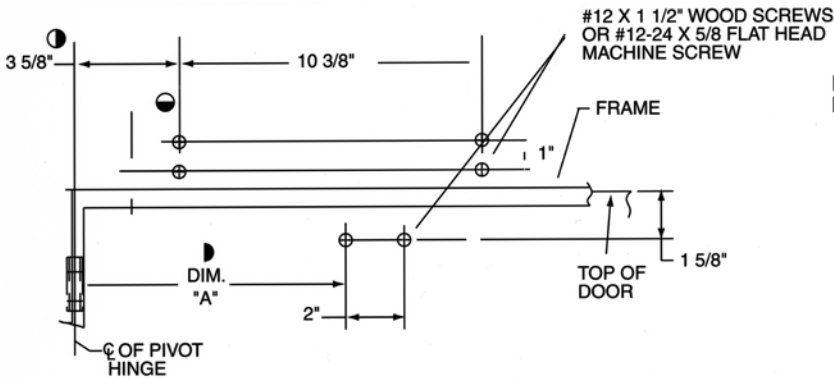
ASSA ABLOY

IMPORTANT: USE ALTERNATE MOUNTING IF DOOR CAN OPEN BEYOND LIMITS SHOWN FOR STANDARD MOUNTING

ARM TYPE	REVEAL DEPTH	DIM. A	RANGE OF DOOR HOLDING	MAX. DOOR OPENING
"H" ARM	0" TO 2"	9 5/16"	80-180°	180°
"HZ" ARM	2 1/8" TO 5"	10 1/8"	80-140°	140°
"HZA" ARM	5 1/8" TO 8"	10 15/16"	80-130°	140°

- ① LEFT HAND DOOR SHOWN, RIGHT HAND DOOR OPPOSITE.
- ② THESE DIMENSIONS MAYBE REDUCED TO 3/8" MIN. IF RAIL ON TOP CASING IS NARROW OR LOW CEILING CONDITION EXISTS. CLOSER FOOT SHOULD BE MOVED ACCORDINGLY.
- ③ THIS DIMENSION IS TAKEN FROM HINGE EDGE OF DOOR FOR INVISIBLE HINGES.

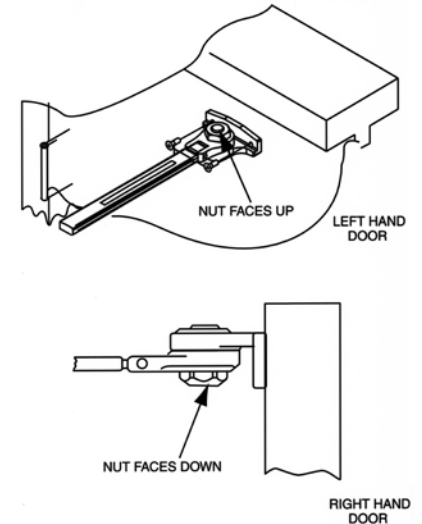
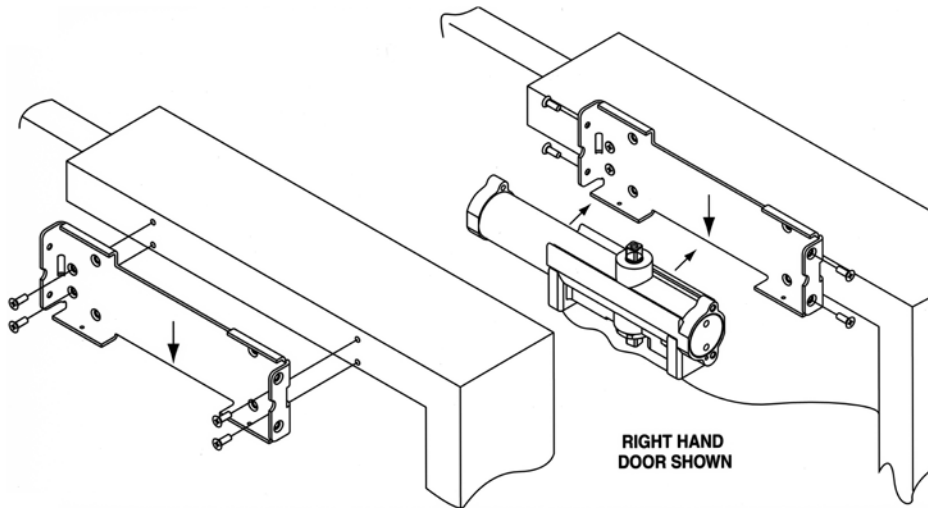
DRILL & TAP AND USE SCREWS PROVIDED OR USE MORTISE NUTS WHEN REQUIRED.



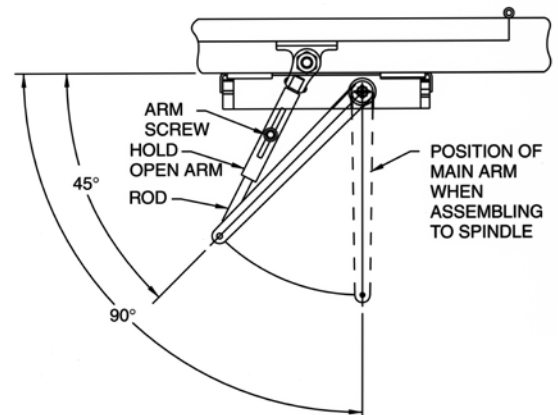
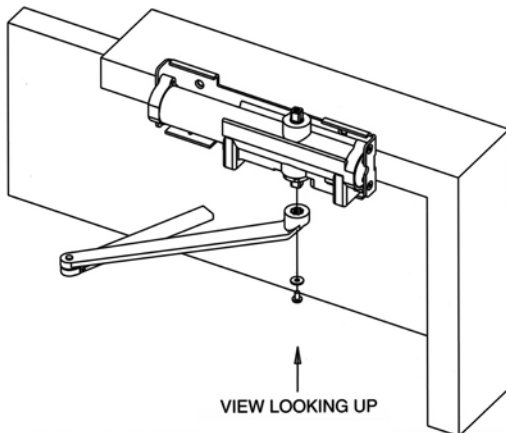
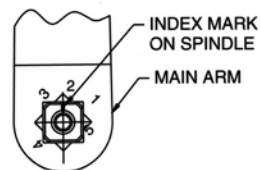
REMOVE BACKING FROM SELF ADHESIVE TAPE AND USE BRACKET AS DRILL THRU TEMPLATE

A INSTALL MOUNTING BRACKET WITH ARROW POINTING DOWN FOR BOTH RH & LH DOORS AND INSTALL CLOSER WITH SPRING ADJUSTMENT SCREW AWAY FROM HINGE.

B ATTACH FOOT TO DOOR WITH NUT UP FOR LH, DOWN FOR RH



C INSTALL MAIN ARM TO SPINDLE AND SECURE WITH SCREW AND WASHER AS SHOWN. INSERT ROD END INTO MAIN ARM AND TIGHTEN ARM SCREW.



ASSA ABLOY, the global leader in door opening solutions

Copyright © 2003, 2008, 2014, Sargent Manufacturing Company, an ASSA ABLOY Group company. All rights reserved. Reproduction in whole or in part without the express written permission of Sargent Manufacturing Company is prohibited.

A7313C

3

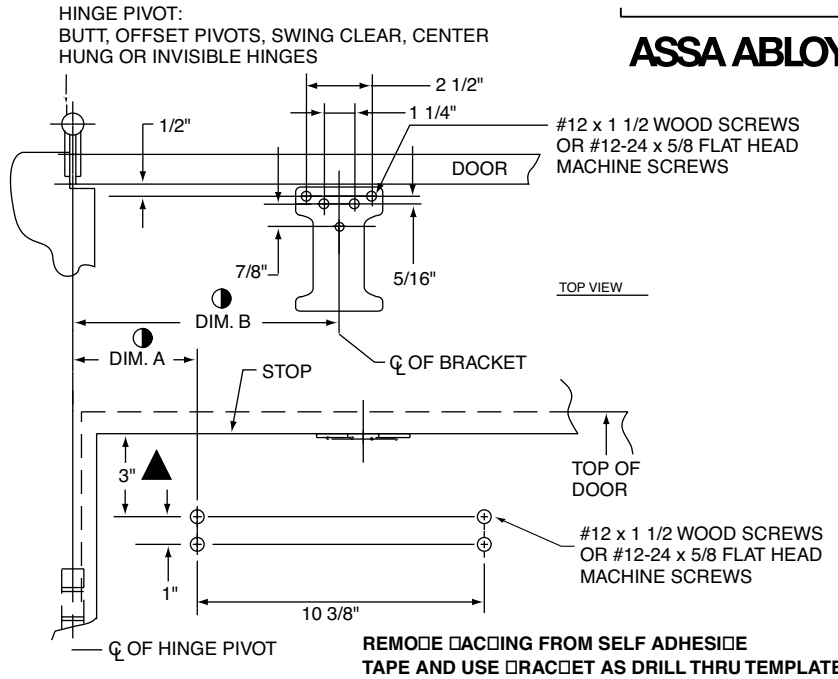
281 PARALLEL ARM APPLICATION INSTRUCTIONS

SARGENT
ASSA ABLOY

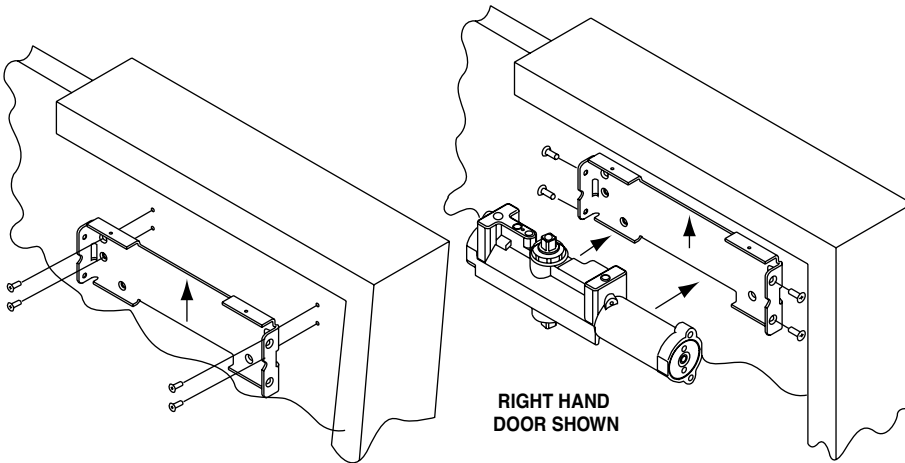
MAX. DOOR OPENING	DIM. A	DIM. B
120°	4 1/2"	10 1/2"
180° ●	1 5/8"	7 5/8"

- ① LEFT HAND DOOR SHOWN. RIGHT HAND DOOR DIMENSION OPPOSITE.
- ② ● DO NOT USE THIS MOUNTING FOR SWING CLEAR HINGES.
- ③ ◐ THIS DIMENSION IS TAKEN FROM HINGE EDGE OF DOOR FOR INVISIBLE HINGES.
- ④ ▲ THIS DIMENSION MAY BE REDUCED BY 1/2" TO AVOID DOOR TRIM.

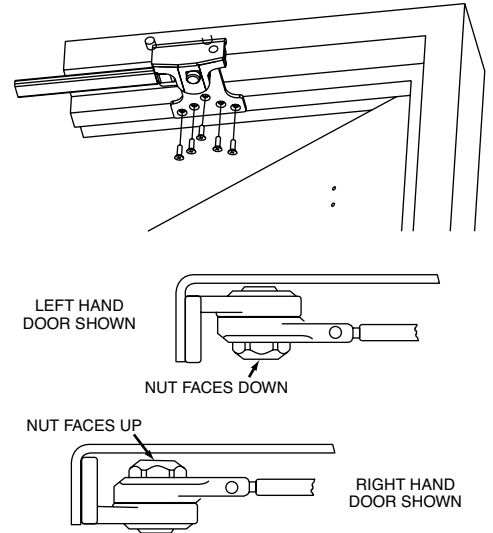
DRILL & TAP AND USE SCREWS PROVIDED OR USE MORTISE NUTS WHEN REQUIRED.



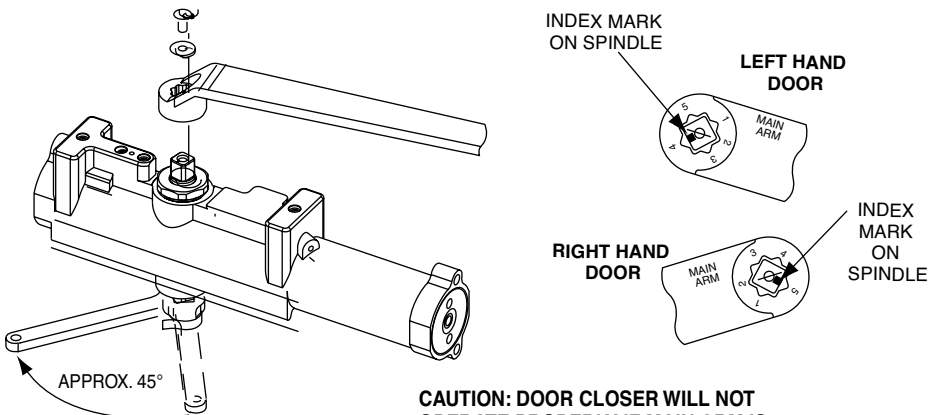
A INSTALL MOUNTING BRACKET WITH ARROW POINTING UP FOR BOTH RH & LH DOORS AND INSTALL CLOSER WITH SPRING ADJUSTING SCREW TOWARDS HINGE.



B ATTACH FOOT BRACKET TO FRAME STOP AND MOUNT HOLD OPEN ARM TO BRACKET WITH ADJUSTING SCREW FACING DOWN FOR LEFT HAND, FACING UP FOR RIGHT HAND DOOR.

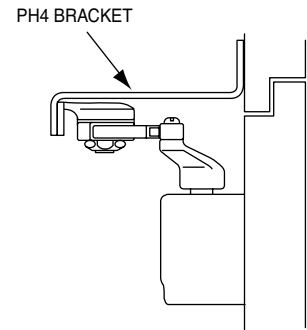


C USING WRENCH ON BOTTOM END OF SPINDLE, ROTATE 45° AND ASSEMBLE MAIN ARM TO CLOSER AS SHOWN, AND THEN INSERT ROD END INTO SWIVEL ARM AND TIGHTEN ARM SCREW POSITIONING ARM 1/2" AWAY FROM DOOR.



CAUTION: DOOR CLOSER WILL NOT OPERATE PROPERLY IF MAIN ARM IS NOT INDEXED CORRECTLY.

OPTIONAL FOOT BRACKET FLUSH TRANSOMS. SEE DATA SHEET ENCLOSED.



ASSA ABLOY, the global leader in door opening solutions

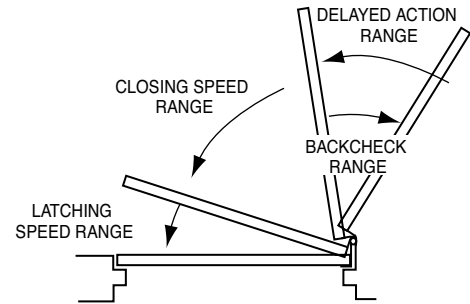
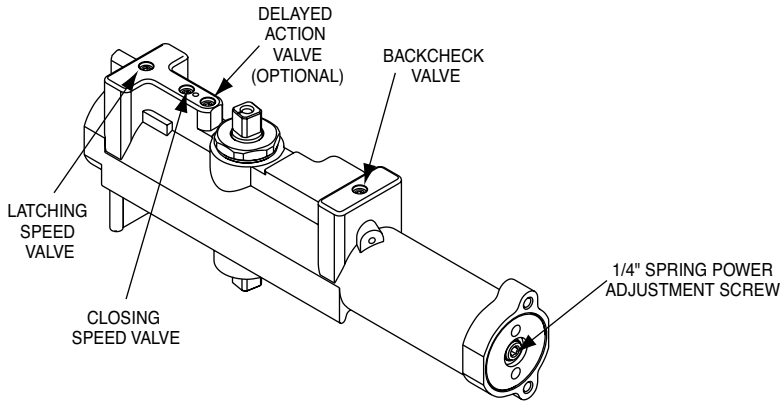
Copyright © 2003, 2008, 2014, Sargent Manufacturing Company, an ASSA ABLOY Group company. All rights reserved. Reproduction in whole or in part without the express written permission of Sargent Manufacturing Company is prohibited.

A7313C

FINAL ADJUSTMENT AND REGULATING PROCEDURE

SARGENT

ASSA ABLOY



A REGULATING DOOR SPEED AND LATCHING SPEED AS NEEDED.

USE HEX SOCKET (1/8" ALLEN) WRENCH AND TURN VALVES CLOCKWISE TO SLOW DOWN OR COUNTER CLOCKWISE TO SPEED UP DOOR MOVEMENT.



B REGULATING BACKCHECK

TO REGULATE THE INTENSITY OF BACKCHECK ACTION TURN VALVE CLOCKWISE TO INCREASE OR COUNTER CLOCKWISE TO DECREASE CHECKING. **CAUTION:** SET VALVE FOR SLIGHT CUSHIONING EFFECT. IT IS DAMAGING TO THE CLOSER IF THE CHECKING ACTION IS TOO ABRUPT. NEVER USE BACKCHECK AS A DOOR STOP.

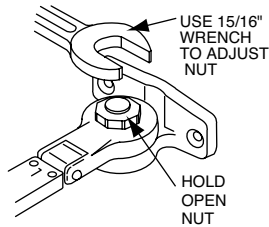
ALWAYS USE A DOOR STOP TO STOP THE DOOR.

C FOR MODELS WITH OPTIONAL DELAYED ACTION FEATURE

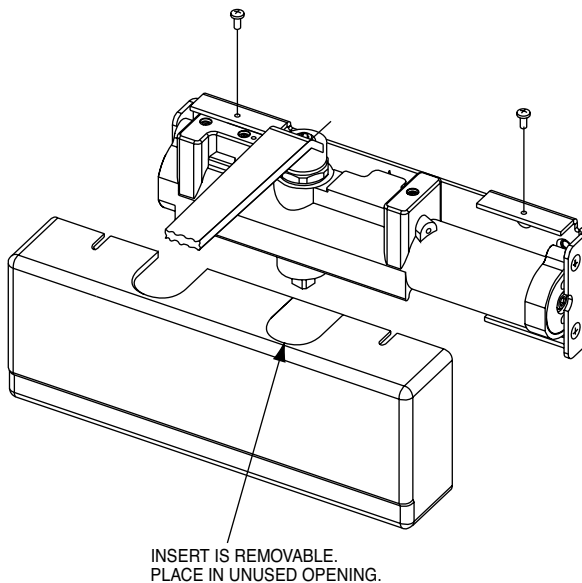
"DELAYED ACTION" PROVIDES SLOW DOOR CLOSING THROUGH DELAYED ACTION RANGE

TURN VALVE CLOCKWISE TO SLOW DOWN OR COUNTER CLOCKWISE TO SPEED UP DOOR MOVEMENT

D ADJUSTMENT HOLD OPEN ARM SLIGHT TIGHTENING OR LOOSENING OF HOLD OPEN NUT CHANGES HOLDING POSITION OF DOOR. **NOTE: TO PROTECT WALL, TRIM AND CLOSER, USE A DOOR STOP LOCATED 10° BEYOND HOLD OPEN POSITIONS BUT NOT BEYOND THE MAX. DOOR OPENING SHOWN ON INSTRUCTIONS.**



E INSTALL COVER WITH TWO SCREWS AS SHOWN.



USING MORTISE NUTS WITH SARGENT DOOR CLOSER

SARGENT

ASSA ABLOY

1. SEE INSTRUCTIONS OR DATA SHEET PACKED WITH DOOR CLOSER FOR DIMENSIONS LOCATING THE CLOSER BODY AND FOOT ON DOOR AND FRAME.
2. MORTISE NUT SHOWN IS DESIGNED FOR AN UNREINFORCED METAL DOOR.
3. FOR TOP JAMB AND CORNER BRACKET APPLICATIONS: THE DOOR CLOSER FOOT WILL BE ATTACHED TO THE DOOR IN A MANNER SIMILAR TO THAT SHOWN FOR MOUNTING THE CLOSER BODY.
4. FOR DOORS 2 1/4" THICK: MORTISE NUT SHOWN FOR 1 3/4" THICK DOORS WILL BE FURNISHED ALONG WITH APPROPRIATE LENGTH THRU-BOLTS. DOOR CONSTRUCTION MUST PROVIDE A BRIDGE TYPE REINFORCEMENT TO PREVENT THE DOOR RAIL FROM COLLAPSING WHEN THRU-BOLTS ARE TIGHTENED.

