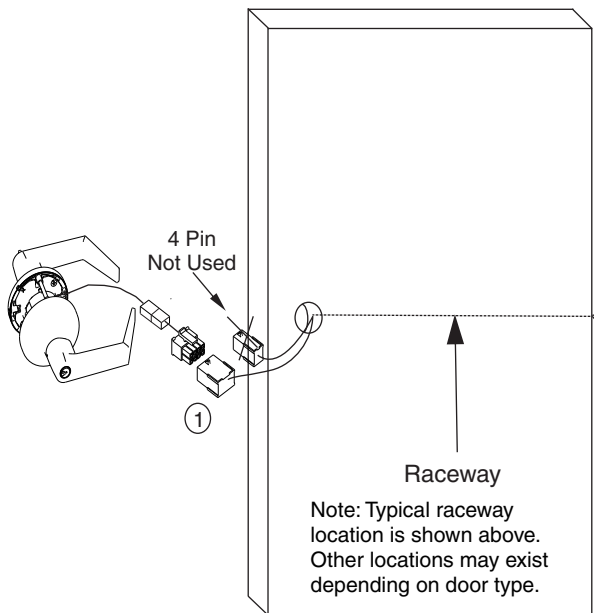




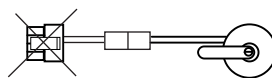
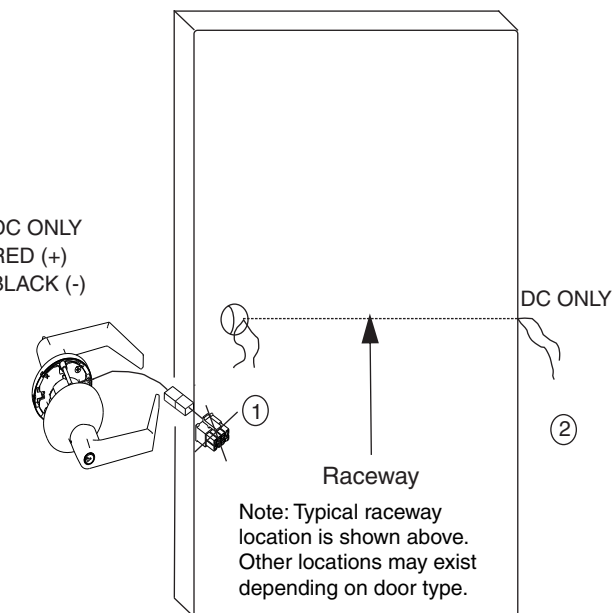
Electrified Wiring and Request to Exit (REX) Instructions
5490LN/5491LN
12VDC or 24VDC



5490LN/5491LN
Installation with an ElectroLynx
Door



5490LN/5491LN
Installation without an ElectroLynx
Door



8 Pin Connector
Not Used

5490LN or 5941LN locks
are not polarity sensitive.

- 1 Plug lock connector into mating 8 pin door connector. Install lock as per instruction sheets included. (80-9150-0056)
- 2 Verify that the hinge is connected to the door connector.
- 3 Wire hinge to power source. Refer to back side of page for wiring of the electric hinge.

- 1 Cut the 8 pin connector from the lockset and strip the remaining wire to 1/4". Strip wires from raceway and connect the two ends. Exposed wire must be insulated to prevent fire or shorting of the lockset. By using this method the lockset can be easily disconnected at the remaining connectors if service is required to the lockset.
- 2 Wire lock to power source. Refer to back side of page for wiring of the electric hinge.

Any retrofit or other field modification to a fire rated opening can potentially impact the fire rating of the opening, and Yale Locks & Hardware makes no representations or warranties concerning what such impact may be in any specific situation. When retrofitting any portion of an existing fire rated opening, or specifying and installing a new fire-rated opening, please consult with a code specialist or local code official (Authority Having Jurisdiction) to ensure compliance with all applicable codes and ratings.

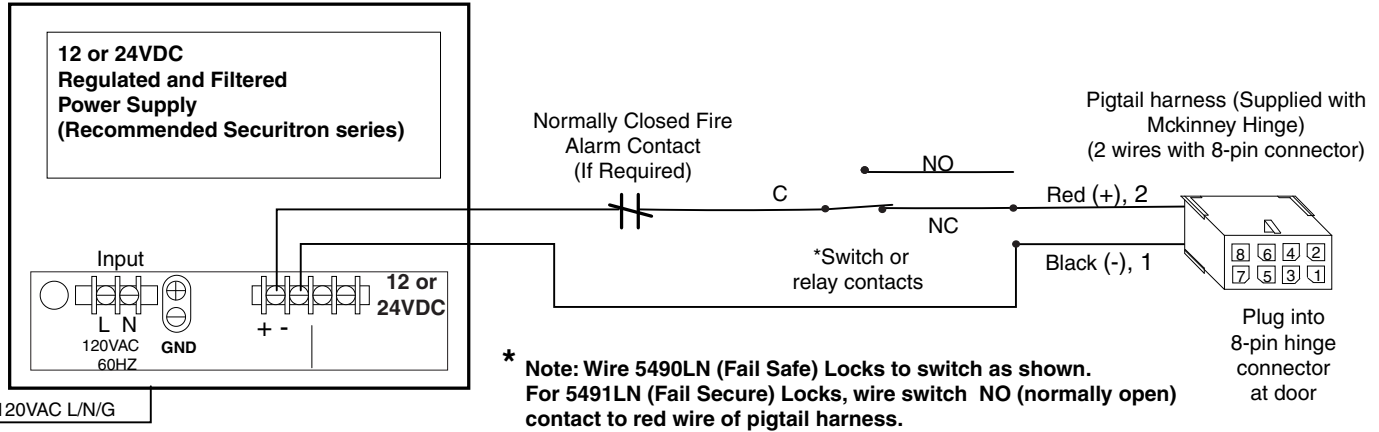


Installation Notes

1. With new applications a raceway harness with 8 and 4 pin connectors will be pre-installed inside door by ASSA ABLOY door manufacturer when specified during ordering process. Raceway harness kits are available for retrofit applications and for doors manufactured by non-ASSA ABLOY manufacturers.
2. Wiring to pigtail harness is per facility wiring requirement. Follow individual instructions below.
3. If door raceway connectors are not present remove lock connector and follow wiring in Option A & B.

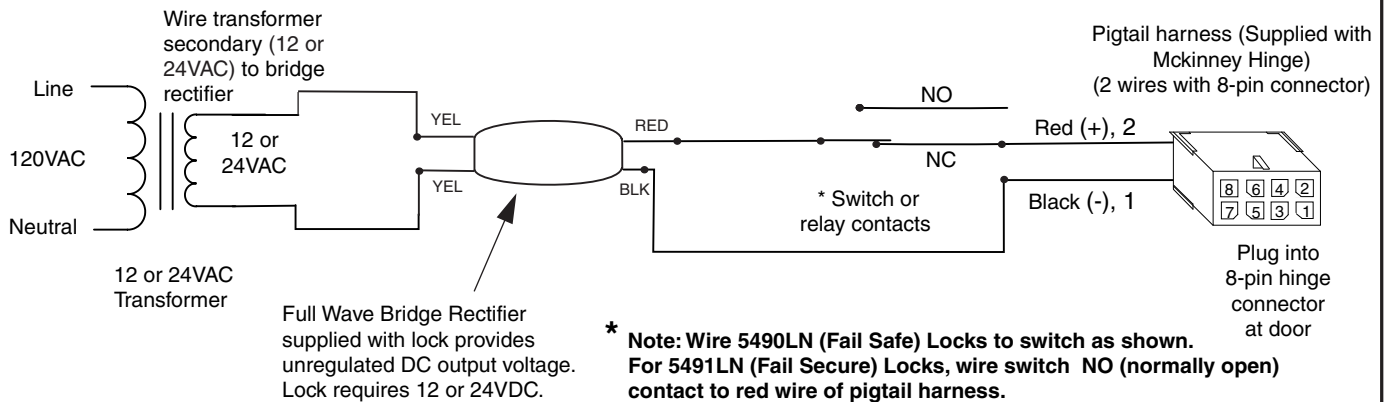
Option A

Sample wiring 5490LN series solenoid locks with a 12 or 24VDC Regulated and Filtered Power Supply (Wiring shows power on and lock in secure state)



Option B

Sample wiring 5490LN series solenoid locks with a 12 or 24VAC Transformer and Bridge Rectifier Supply (Wiring shows power on and lock in secure state)

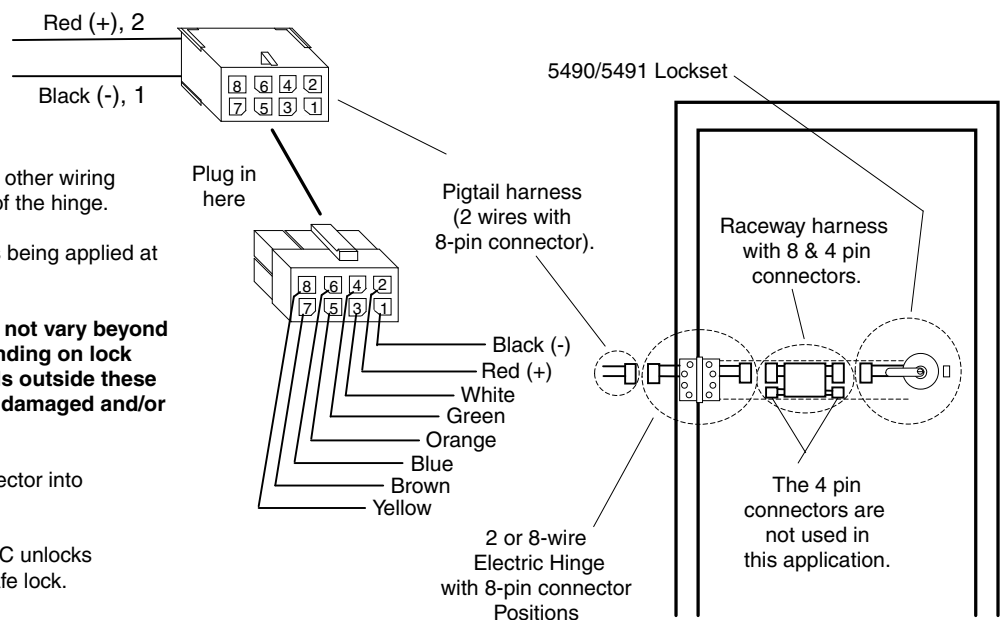


Electric Hinge Wiring

1. Wire option A, B (see above) or other wiring requirement to pigtail harness of the hinge.
2. Ensure proper supply voltage is being applied at pigtail harness.

CAUTION: The DC voltage must not vary beyond 12V+/- 10% or 24V+/- 10% depending on lock solenoid installed. If voltage falls outside these limits the lock solenoid may be damaged and/or may not function correctly.

3. Plug pigtail harness 8-pin connector into electric hinge 8-pin connector.
4. Test lock - Applying 12 or 24VDC unlocks fail secure lock and locks fail safe lock.



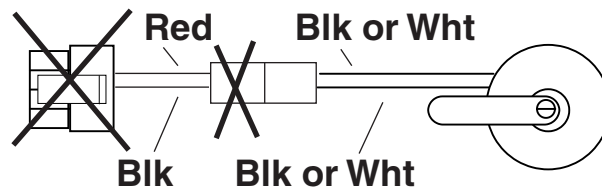
REX (Request to Exit Wiring Instructions 5400LN Electrified and 5400LN Mechanical

The "REX" Feature can be used with 5400LN series Electric or Mechanical locksets. This page applies to installation of both. The "REX" option can be shipped with the lockset or purchased as a Retro-fit kit for existing applications.

If the "REX" option is used with an Electric lockset (5490LN/5491LN) see steps 1 thru 3. If the "REX" is used on a Mechanical lockset skip to step 3. In both cases refer to the installation instructions provided with the lockset. The below steps are provided as a guide to aid in installing the connectors.

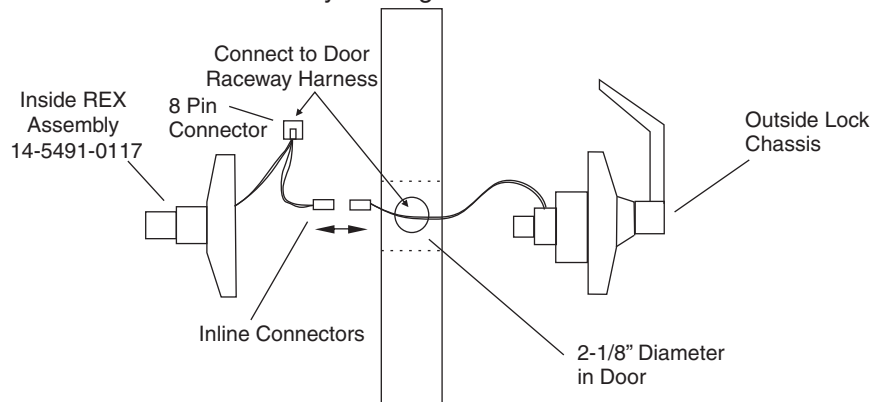
Step 1

Current 5490LN & 5491LN locksets are configured from the factory to be used with ElectroLynx. They are also configured to be used with or without the REX option. On the lockset disconnect the inline connectors and dispose of the 8 pin connector and 1 inline connector when the REX option is being used.



Step 2

Connect the inline connector of the lockset to the inline connector of the REX Inside Assembly through the 2-1/8" hole of the door. **Caution:** Do not allow the lockbody to hang off the wires.

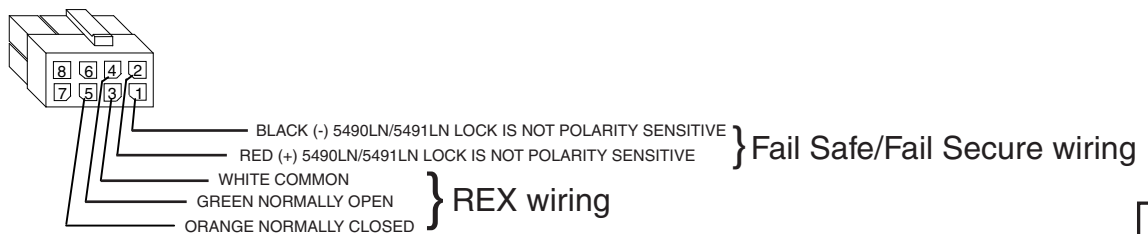


Step 3

Connect the 8 pin connector of the REX assembly to the 8 pin connector from the raceway of the door. Excess wire and the connector should be inserted to raceway to avoid pinched or cut wires. Insert the outside lock chassis through the 2-1/8" hole. Carefully install the inside REX assembly (refer to lockset installation instructions). Again avoid pinching or cutting the wires.

Note: Refer to the below illustration for wire definitions.

8 Pin Connector



Yale Locks & Hardware

Product Support Tel 800.438.1951 • www.yalelocks.com

Yale Locks & Hardware is a division of Yale Security Inc., an ASSA ABLOY Group company.

Yale® is a registered trademark of Yale Security Inc., an ASSA ABLOY Group company. Other products' brand names may be trademarks or registered trademarks of their respective owners and are mentioned for reference purposes only. These materials are protected under U.S. copyright laws. All contents current at time of publication.

Yale Security Inc. reserves the right to change availability of any item in this catalog, its design, construction, and/or its materials.

Copyright © 2004, 2012, Yale Security Inc., an ASSA ABLOY Group company.

All rights reserved. Reproduction in whole or in part without the express written permission of Yale Security Inc. is prohibited.