

**Installation Instructions**

80-9362-0003-152 (07-10)

Combination Door Closer-Holder and Releasing Device WITH and WITHOUT Integral Smoke Detector

**CAUTION**

An incorrectly installed or improperly adjusted door closer can cause property damage or personal injury. These instructions should be followed to avoid the possibility of misapplication or misadjustment.

**Electric Track Series**

**Master Unit – ETD** (with detector)

**Companion Unit - ET** (without detector)

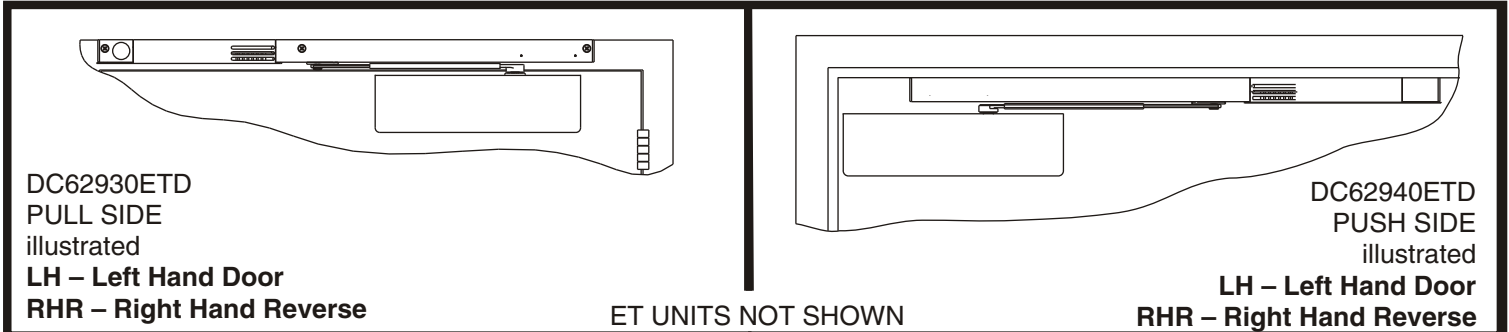
**Models**

Hinge (Pull) Side of Door Application	Stop (Push) Side of Door Application
<b>DC62930ETD</b>	<b>DC62940ETD</b>
<b>DC62930ET</b>	<b>DC62940ET</b>

**NOTES:** - For wiring of ETD models, see "Wiring Instructions"

No. 80-9362-0004-152 (02-09)

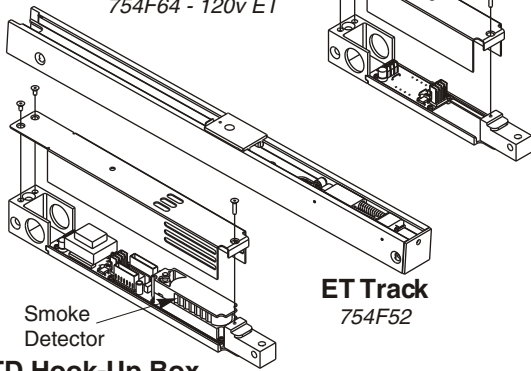
- When used with a ETD model, ET unit must be a 24V unit



**Components:**

**ET/ETS Hook-Up Box**

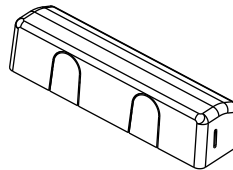
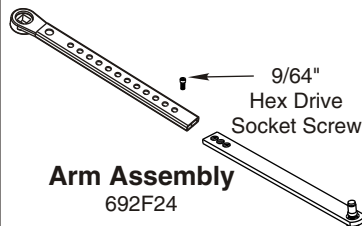
754F63 - 24v ET  
754F64 - 120v ET



**ETD Hook-Up Box**

754F61 - 24v ETD  
754F62 - 120v ETD

**Pull (Hinge) Side**



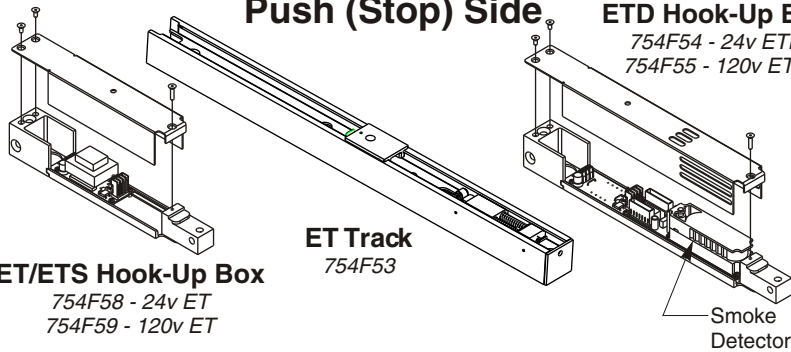
**Preparation for Fasteners**

		Fasteners	Door or Frame	Drill-Sizes
Standard	Self-Drilling Screw	1/4" - 20 machine screw	Aluminum or Metal	No drill required
			Wood	3/16" (4.30 mm) Pilot hole required
Optional	Sleeve nuts and bolts	Through-bolts and grommet-nuts	Hollow Metal	9/32" (7 mm) through; 3/8" (9.5 mm) door face opposite to closer
			Aluminum or Wood	3/8" (9.5 mm) through
	All	9/32" (7 mm); 3/8" (9.5 mm) dia. x 3/8" (9.5 mm) deep on door opposite to closer		

**Push (Stop) Side**

**ETD Hook-Up Box**

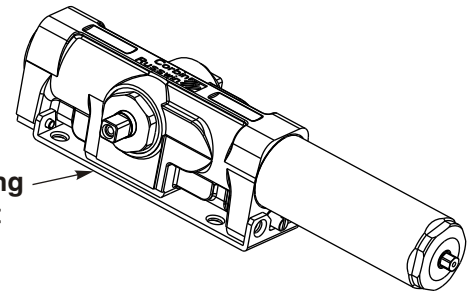
754F54 - 24v ETD  
754F55 - 120v ETD



**ET/ETS Hook-Up Box**

754F58 - 24v ET  
754F59 - 120v ET

**Mounting Bracket**  
188F03



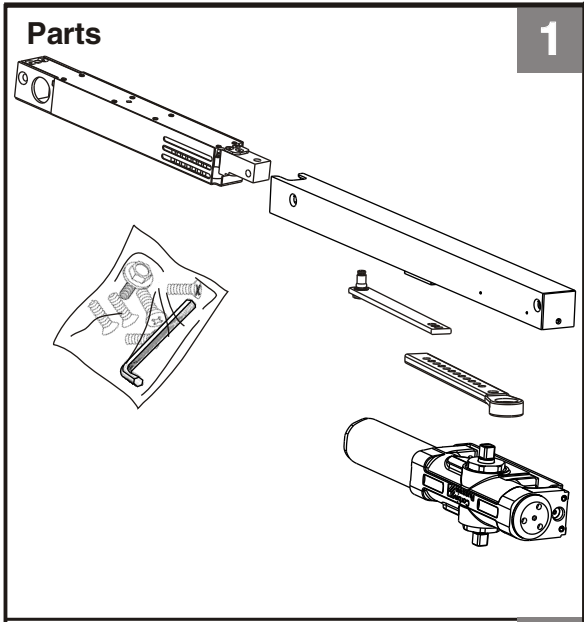
**NOTE:**

- For special applications a separate door and frame preparation template is packed with these instructions.
- Use this instruction sheet for installation sequence and closer adjustments only.
- Use of an auxiliary door stop is always recommended.
- Unit must be mounted on interior of building in dry environment, maximum humidity of 95%.
- See NFPA70 for wiring requirements and NFPA72 for alarm system requirements.

# DC62930 ETD/ET Series

## Hinge (Pull) Side Application

80-9362-0003-152 (07-10)



### 2 Mark and Drill Holes

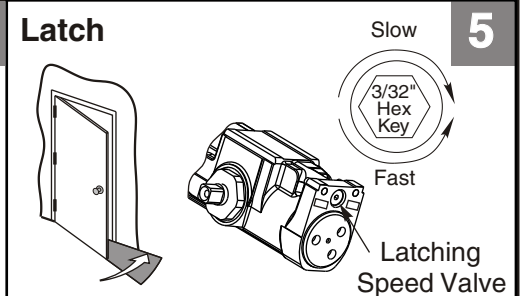
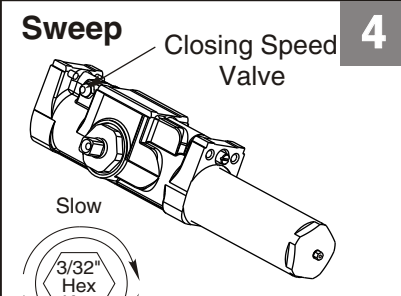
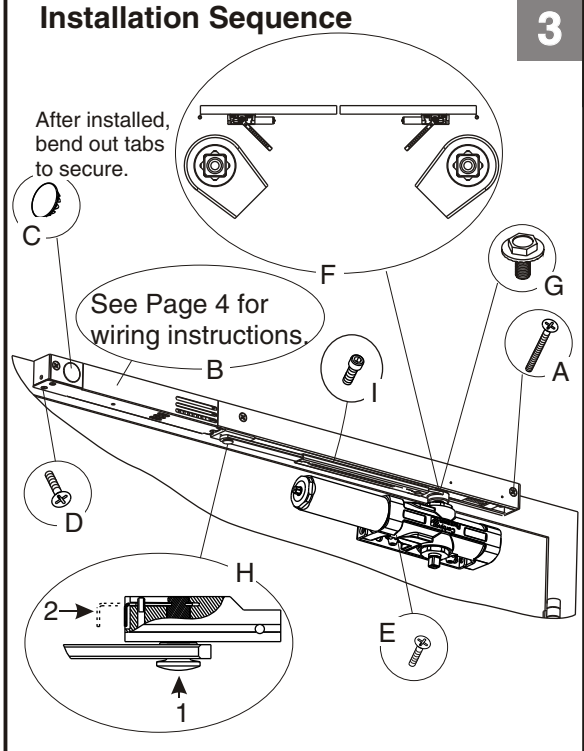
**Right Hand Shown**

7/8 (22) Conduit hole for concealed wiring only

Power Track	Dim. "A"	Dim. "B"
ET	$\frac{30-7}{16}$ (773)	$\frac{31-1}{2}$ (800)
ETD	$\frac{34-1}{16}$ (865)	$\frac{35-1}{8}$ (892)

Fasteners	Door or Frame	Drill Sizes
Self-Drilling Screw	Aluminum or Metal	No drill required
	Wood (see Note)	3-16" (4.3mm)
1/4"-20 machine screw	Metal	Drill #7 (.201" dia) Tap 1/4"-20

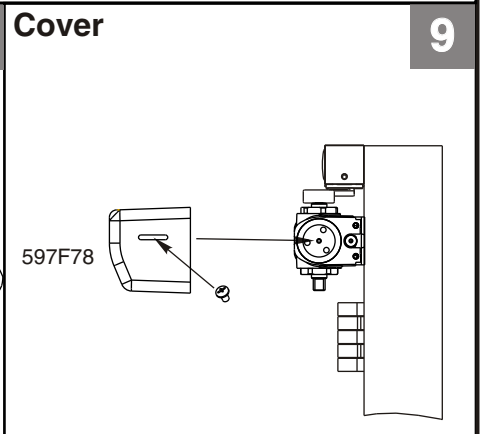
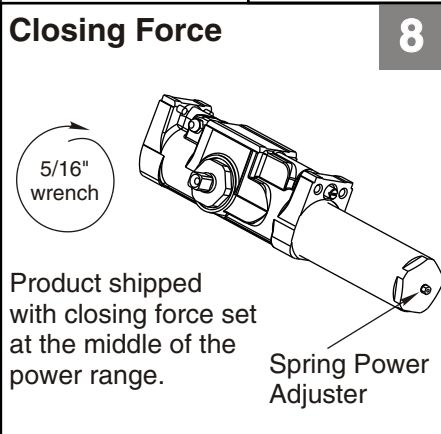
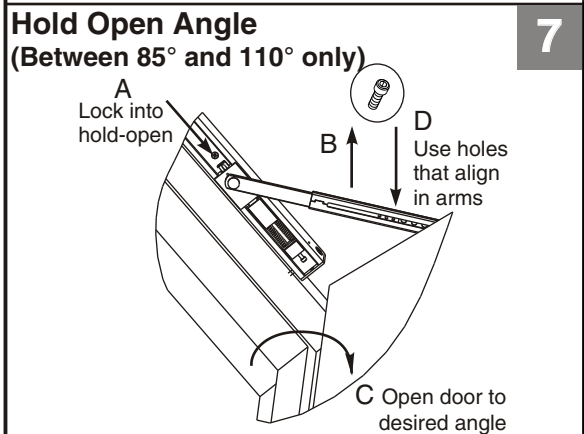
**Note:** Wood doors/frames **MUST** have pilot hole when using Self-Drilling Screws.



### 6 Backcheck

**Caution:** Don't completely close cushion valve

Backcheck Intensity Valve\*  
(Flat blade screwdriver with 5" (127mm) long shaft)



# DC62940 ETD/ET Series

Stop (Push)  
Side Application

80-9362-0003-152 (07-10)

### 1 Parts

### 2 Mark and Drill Holes

\* Used for 188F65 / 597F58 Drop Plate

**Left Hand Shown**

Preparation for Fasteners		
Fasteners	Door or Frame	Drill Sizes
Self-Drilling Screw	Aluminum or Metal	No drill required
	Wood (see Note)	3-16" (4.3mm)
1/4"-20 machine screw	Metal	Drill #7 (.201" dia) Tap 1/4"-20

Note: Wood doors/frames **MUST** have pilot hole when using Self-Drilling Screws.

### 3 Installation Sequence

### 4 Sweep

### 5 Latch

### 6 Backcheck

Caution: Don't completely close cushion valve

Backcheck Intensity Valve\* (Flat blade screwdriver with 5" (127mm) long shaft)

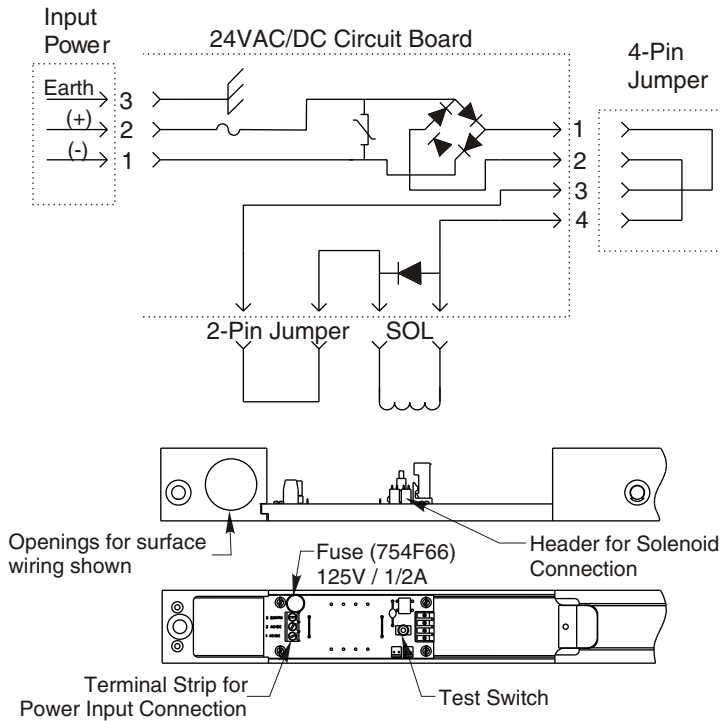
### 8 Closing Force

Product shipped with closing force set at the middle of the power range.

### 9 Cover

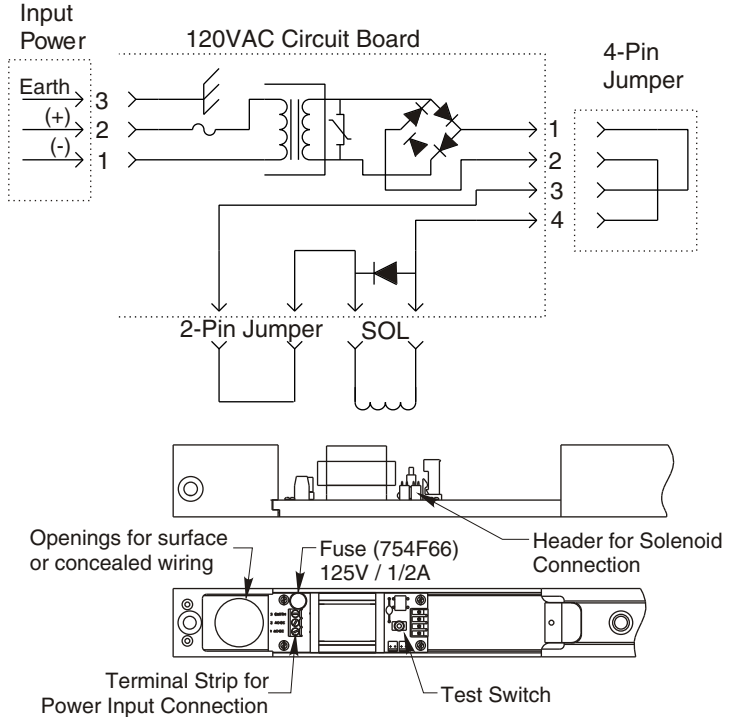
### Hold Open Angle (Between 85° and 110° only)

## ET Support Unit Wiring Diagram (24VAC/DC Input)



## ET Support Unit Wiring Diagram (120VAC Input)

(Do not use a 120VAC Et3 unit when power is supplied from a ETD unit)



### For ETD Models:

Refer to Wiring Instructions  
No. 80-9342-0004-152 (02-09)  
for making wiring connections.

	120VAC	24VAC	24VDC	Detector
Voltage	120V 132V Max 102V Min	24V 26.4V Max 20.4V Min	24V 26.4V Max 20.4V Min	24V 26.4V Max 20.4V Min
Current	.036 Amps	.059 Amps	.074 Amps	0.034 Amps

#### NOTES:

- Maximum wire size is 18AWG.
- All wiring and connections use standard wiring practice conforming with local wiring codes.

### IMPORTANT:

#### After making all wiring connections:

- Turn power to unit "ON". (On Master (PTDO) unit only, red LED should illuminate once every 15 sec.).
- Open door to hold-open position. Manually pull door out of hold-open and release...door should close. If arm does not release from hold-open, increase the releasing force by turning the screw accessible thru the end cap of the track using the 9/64" hex wrench provided.
- Again, open door to the hold-open position. Depress "Test Switch" button on the hook-up board (accessible through cover)...door should close. If arm does not release, see previous step.

#### Installation of Cover:

- **Full Plastic Cover (597F78):** Slide cover insert into the un-used cutout in cover. Install cover using screws provided.
- **Slim Plastic Cover (387F40):** Install cover using screws provided.

Corbin Russwin® is a registered trademark of Corbin Russwin Inc., an ASSA ABLOY Group company. Copyright © 2009, 2010 Corbin Russwin Inc., an ASSA ABLOY Group company. All rights reserved. Reproduction in whole or in part without the express written permission of Corbin Russwin Inc. is prohibited.

**Corbin  
Russwin**

**ASSA ABLOY**

3000 Hwy 74 E, Monroe, NC  
Telephone: (800) 543-3658 Fax: (800) 338-0965  
www.corbinrusswin.com