

REMOVABLE ETW – Electric Through Wires

Door and Frame Preparation

1. For grout filled frame, install a Mortar Box (HAGER 430). Failure to do so will void the hinge warranty.
2. Prepare the door and frame for installation using the standard installation instruction sheet furnished with the hinge.

Installation

1. Attach the hinge to the door and frame using the standard installation instruction sheet furnished with the hinge.
2. Place the marking template into the notched section of the hinge. Make sure it rests flat against the mounting surface.
3. Using the transfer punch, center punch both the mounting holes and the wire access hole. See Fig. 1. The middle hole is the wire access hole.
4. Repeat steps 2 and 3 for the opposite leaf of the hinge.
5. Drill only the 5/8" (3/4" max. for Quick Connect) diameter access hole in both the frame rabbet and the door edge. For metal frames and doors $\leq 0.110"$ (2.8mm) thick, it is not necessary to drill pilot holes for the mounting screws, if using the self-drilling screws provided. For metal frames and doors $> 0.110"$ (2.8mm) thick, drill the pilot holes for the mounting screws using a #16 (0.177"/4.5mm) bit, if using the self-drilling screws provided. For wooden doors, drill pilot holes for the mounting screws using a #18 (0.170"/4.3mm) bit, if using the wood screws provided.
6. After drilling, remove any burrs or sharp edges from the holes to prevent damage to the wire leads.
7. For proper appearance, identify which leaf of the module matches the door leaf of the installed hinge (the gear teeth are slightly different on the frame and door leaves).
8. Connect the system wires from the door to the appropriate leads of the door leaf side of the module (as described in the system wiring diagram). See Fig. 2. Insulate the bare end of any unused wires.
9. Insert the door leaf module into the notch of the hinge while carefully pushing the wires back through the access hole in the door, making sure they are placed so they will not be cut or pinched as the installation is completed. Attach the module to the door, leaving the screws slightly loose. For metal doors, use the #12 self-drilling screws provided (recommended driver speed 1,900-2,500 RPM). For wood doors, use the #12 wood screws provided.
10. Position the door at 90 degrees to the frame and connect the system wires from the frame to the appropriate leads of the frame leaf side of the module. See Fig. 2. Insulate the bare end of any unused wires.
11. Insert the frame leaf module into the notch of the hinge while carefully pushing the wires back through the access hole in the frame, making sure they are placed so they will not be cut or pinched as the installation is completed. Using the #12 self-drilling screws, attach the module to the frame, making sure to interlock the gear teeth of the two module components in the proper position and that the looped wires are placed into the cover channel. See Fig. 3.
12. Tighten all screws in the module, making sure that the gear teeth remain interlocked in the proper position.

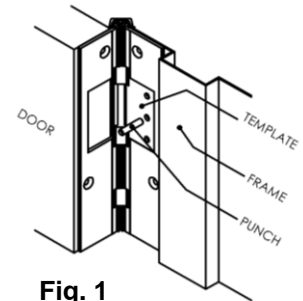


Fig. 1

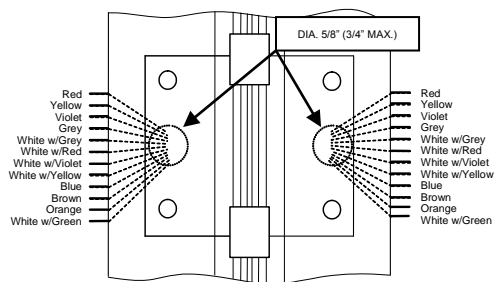


Fig. 2

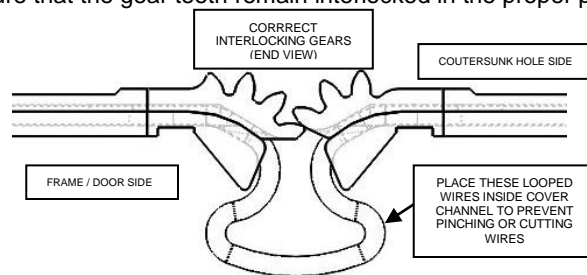
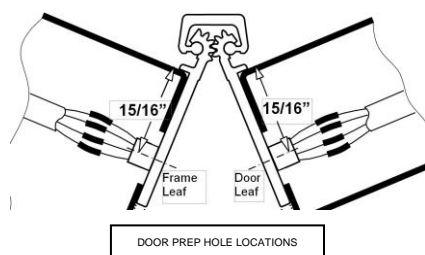


Fig. 3



MAXIMUM ELECTRICAL RATING CONTACT THROUGH WIRE
Volts: 48V DC/AC
Amperes: 3.5Amps Continuous