

# 7570 SERIES

Security Door Closer



**Norton**<sup>®</sup>  
**ASSA ABLOY**

ASSA ABLOY, the global leader  
in door opening solutions

INTRODUCTION

Norton High Security Closers are designed for use in prisons, government buildings, schools, financial institutions, or any installation where vandalism, abuse, escape, personal injury, or damage to doors, walls, and hardware are major concerns.

The Security Closer Line uses Norton 7500 series institutional door closers with a variety of regular rigid and parallel arms and track options. Hold open arms are also available. Fixed link arm assemblies, permanent joints, orbital riveted elbows, arm shoe, soffit joints and Torx® screws with tread lock prevent disassembly. Norton 7500 and 8000 series door closers are also offered with some of the same arm options as the 7570 but without the security cover. Torx screws are available standard for tamper resistance. These closers are utilized in schools and industrial environments where heavy abuse and vandalism may occur.

OVERVIEW

**Features**

- Adjustable spring sizes 1 through 6
- Security arms – joints feature permanent, orbital riveted elbow and arm shoe/soffit plate joints which prevent disassembly
- Adjustable backcheck cushioning and positioning
- Torx drive machine screws with security pin
- Heavy-duty arms: Regular Rigid, Parallel Rigid, CloserPlus® and CloserPlus Spring™
- 25-year limited warranty

**Optional Features**

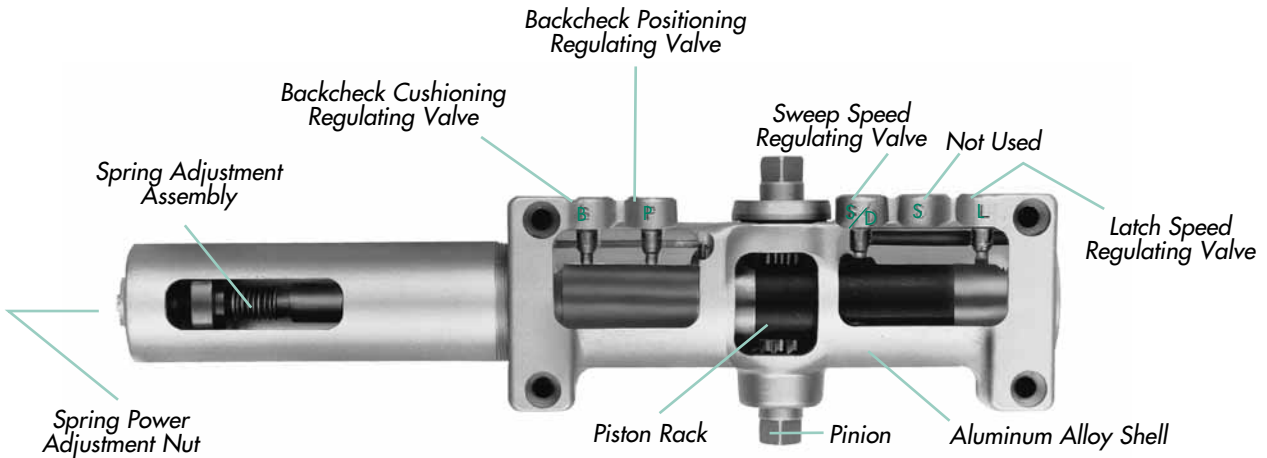
- Slide track – push or pull mounting
- Delayed action
- Enhanced backcheck

TABLE OF CONTENTS

Overview & Compliance Standards . . . . .	3
How to Order . . . . .	4
Fasteners/Finishes . . . . .	5
Features . . . . .	6-7
Suggested Specifications . . . . .	8
Applications . . . . .	9-10
Technical Details . . . . .	11-17
Accessories . . . . .	18-22
Parts List . . . . .	23-29

INTRODUCTION

Exploded View of Closer Body  
(without delayed action)



COMPLIANCE STANDARDS

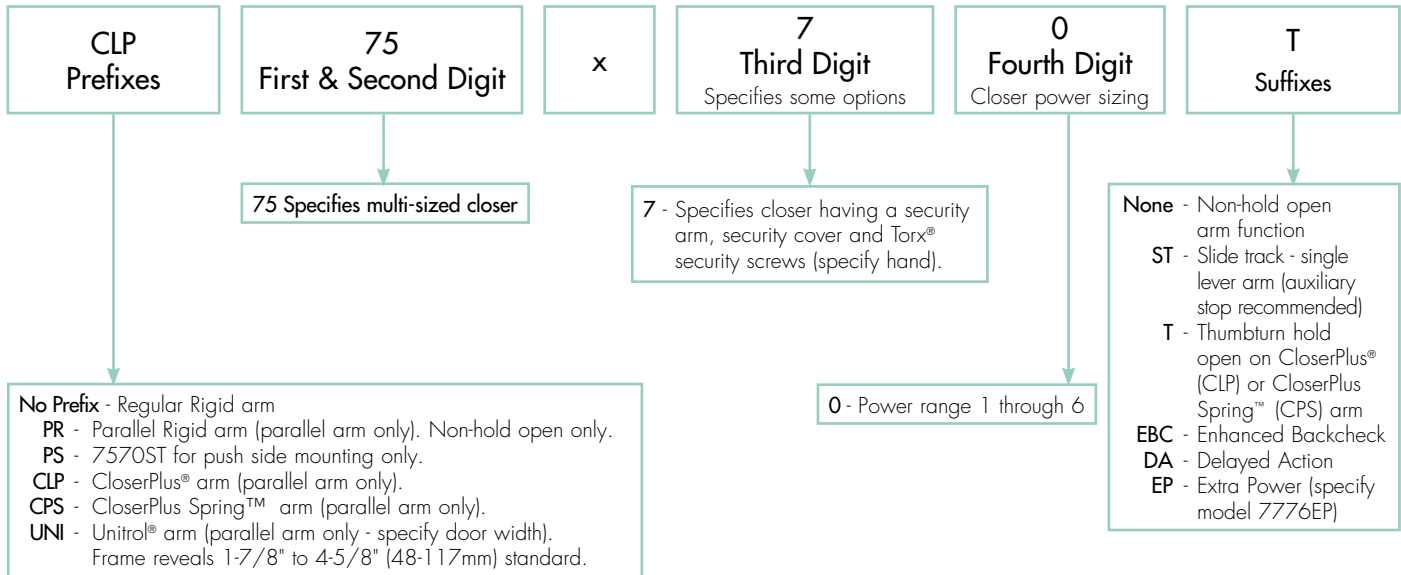
- ANSI/BHMA A156.4, Grade 1 certified 
- UL / cUL listed for use on fire rated doors 
- UL10C listed for positive pressure fire test
- Comply with requirements for the Americans with Disabilities Act (A.D.A) and ANSI standard A117.1 
- This product is manufactured in an ISO 9001 facility
- Closers are listed by the New York City Materials and Equipment Acceptance Division

**CAUTION: Door Closers for Low Opening Force Applications:**

Door closers installed in openings required to meet the requirements of The Americans with Disabilities Act or ANSI/BHMA Standard A117.1, when adjusted to meet those requirements, may not provide adequate closing power to dependably close and latch the door.

HOW TO ORDER

For optimum protection of door and frame assemblies, always use auxiliary wall, floor, or overhead door stop.



**Note:**

- Door closer warranty becomes void if it is installed on the exterior side of a door in the exterior wall of a building.
- It is strongly recommended, and it is required on most fire door assemblies, that doors having a door closer be hung on ball-bearing or anti-friction hinges or pivots.
- Failure to use the correct type and size fasteners may void factory warranty.
- Fasteners for fire/smoke door assemblies must conform to NFPA 80. In some applications additional fasteners may be mandated by NFPA 80 that are not shipped with standard product, such as sleeve-nuts/sex-nuts or through-bolts and grommet nuts.
- The Torx® drive screws (with security pin), provided with the 7570 door closers are only available with machine screw threads.

### FASTENERS

Type	Description	Arm					
		RA	PR	CLP	CPS	UNI	ST
Torx®	Lobular Torx drive screws	S	S	S	S	S	S
SN	Sleeve Nut	O	O	O	O	S	S
SDST	Self Drilling Self Tapping	O	O	O	O	S	O

**S = standard; O = Optional**

**Torx** drive screws, for tamper resistance are standard with 7570 closers. These screws are only offered with machine threads for fastening to metal doors and frames. #14-10 wood or sheet metal fasteners if required, must be supplied by others.

**SN** are for use on unreinforced hollow metal doors or to prevent any hollow metal door from collapse/dimpling. They can also be used for through bolting on wood doors. SN are supplied for 1-3/4" (44mm) thick doors unless specified for 2-1/4" (57mm) thick doors.

### FINISHES

Norton offers waterborne acrylic, polyester powder coat and plated finishes. Custom finishes are available on special order. A sample and approval is required.

Waterborne acrylic and polyester powder coat will withstand 100 hours of salt spray (ANSI requires 25 hours).

ANSI/BHMA	US	Description
600*	SRI	Prime Coat
605	US3	Bright Brass
606	US4	Satin Brass
611	US9	Bright Bronze
612	US10	Satin Bronze
613E	US10BE	Dark Oxidized Satin Bronze - Equivalent
625	US26	Bright Chrome
626	US26D	Satin Chrome
689	AL	Aluminum
690	STAT	Statuary Bronze
691	DB	Dull Bronze
693	315	Black
694	312	Medium Amber
696	GB	Gold

\* 600 is a special rust-inhibiting prime coat. Closers can be ordered prime coat only (specify closer x 600). An additional charge applies if finish coat is required over prime coat.

- Norton closer bodies are available in waterborne acrylic finishes. Arms and metal covers are available in powder coat or plated finishes.
- When a plated finish is ordered, arm and cover will be plated unless "cover only" is specified.

## FEATURES

### Aluminum Alloy Housing

Closer bodies are constructed of a special aluminum alloy, carefully selected to accommodate interactive steel components and operating conditions.

### Rack & Pinion Operation

Provides a smooth constant control of the door through its full opening and closing cycle. 180° door swing can be achieved when door, frame, hardware and arm function do not interfere.

### Handed

All series 7570 closer covers are handed (closer cover must match hand of door).

### Sweep Speed Control Valve

Allows adjustment of door speed from the door's full open position down to approximately 5° from the closed position.

### Latch Speed Control Valve

Allows adjustment of door speed from approximately 5° down to the door's fully closed position.

### Non-Critical Control Valves

All control valves for sweep speed, latch speed and backcheck cushioning are non-critical and are adjusted by a standard 1/8" (3mm) hex wrench.

### Adjustable Backcheck Cushion Valve

Provides control of the door in the opening cycle, beginning at approximately 75° of door opening. It slows/cushions the door opening, when the door is forcibly opened beyond its pre-adjusted limits.

### Adjustable Backcheck Position Valve

Allows the door opening position, where backcheck cushioning begins, to be adjusted to a greater door angle, up to a maximum of 20° farther (approximately 95°).

### Security Cover

Supplied standard with all series 7570 door closers. This deep drawn steel cover is handed for all applications. The cover is fastened to the closer body at two points on top and to the door closer body stand-offs at two points on the bottom.

### Warranty

These closers carry a limited 25-year warranty against defect, and life of the building on the aluminum housing.

### Closer Fluid

NorGlide® closer fluid is a specially formulated multi-viscosity hydraulic fluid that contains lubricity and anti-oxidation agents that provide optimum performance and efficiency. This fluid complements the interaction of the door closer's aluminum housing with its steel and brass components, while maintaining stable viscosity to allow the door closer to perform in temperatures ranging from extremely high to as low as -40° F.

### Door Closer Power Options

#### Series 7570 Multi-Sized Door Closer

Adjustable through the entire power range of door closer sizes 1 through 6, as outlined in ANSI/BHMA standard A156.4. Option PT-4H.

The series 7570 also conforms to the minimum opening force requirements of the Americans with Disabilities Act (A.D.A.) and ANSI/BHMA standard A117.1 for interior doors.

OPTIONAL FEATURES - DA

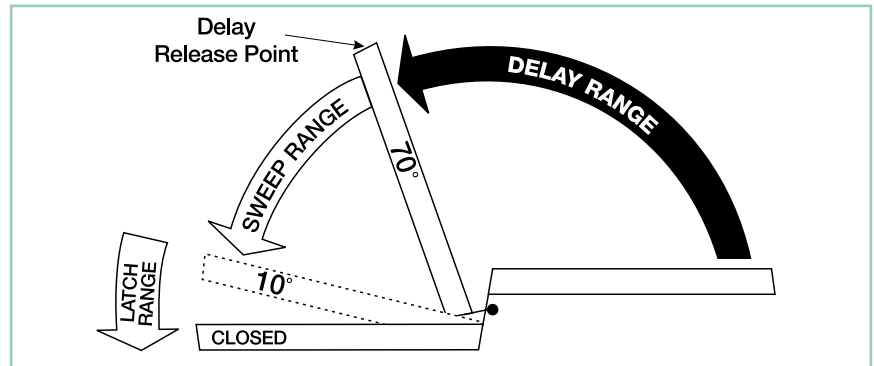
**Adjustable Delayed Action Closing**

An optional hydraulic feature that adds a third speed range to the closing cycle. This feature becomes effective when the door is opened and released at any point beyond 70°. The amount of time delay depends upon the combination of the angle of door release and valve adjustment. The valve can be adjusted with a 1/8" (3mm) hex key from no delay time up to maximum delay times of:

Door Opened and Released at	Approximate Time of Delay Cycle
180°	4-5 minutes
120°	2-3 minutes
90°	25-30 seconds

**Pressure Relief Safety Valve**

The delayed action hydraulic system contains a pressure relief valve. Any time the door is forced toward the closed direction while it is in the closing cycle, the valve will open and permit the door to close. This prevents damage to door, frame and closer.



**Suggested Applications**

Delayed Action closing allows slow-moving traffic to clear the opening before the door closer's normal closing cycle begins. This feature can be helpful in health care facilities such as hospitals and nursing homes. It provides sufficient time for persons on crutches or in wheelchairs to pass through a door without concern of it closing. At the same time, it can accommodate the facility's staff with movement of food service carts, beds, and other wheeled traffic.

Use of delayed action closers on many doors throughout industrial and commercial buildings can also assist the flow of traffic. Locations where additional time to clear the opening is advantageous are doors between office and factory/warehouse facilities, doors to workshops or laboratories, to kitchen and food processing areas.

OPTIONAL FEATURES - ARMS

**Non-Hold Open**

Self-closes door every time door is opened. Auxiliary stop (by others) required except when using the CloserPlus®, CloserPlus Spring™ or Unitrol® arms.

**Hold Open**

Achieved by means of ball and detent/roller. Ball and detent or roller hold open is effective in a range of 85° to 110°.

Hold open arm door closers are not permitted to be used on fire door assemblies.

**Door Opening Degrees**

Arm Function	Regular Rigid Arm	Parallel Rigid Arm	CloserPlus® Parallel Arm	CloserPlus Spring™ Parallel Arm	Unitrol® Parallel Arm	Slide Track
Non-Hold Open	✓	✓	85° to 110°	85° to 110°	85° to 110°	85° to 110°/180°
Hold Open	—	—	85° to 110°	85° to 110°	—	—

✓=180° trim and template permitting

---

**SUGGESTED SPECIFICATIONS**

---

**7570 Series**

Closers for interior and exterior doors shall be full rack-and-pinion type with cast aluminum alloy body. Closers shall be surface mounted and shall project no more than 2-3/16" from the surface of the door. Closers shall be reversible but supplied with a handed metal cover. Closer fluid shall contain lubricity and anti-oxidation agents. Closer fluid shall maintain stable viscosity to allow door closer to perform in temperatures ranging from extremely high to as low as -40°F. Closers shall have multi-size spring power adjustment to permit setting of spring from 1 through 6. Closers shall have two non-critical valves, hex key adjusted, to independently regulate sweep and latch speed. Closers shall have backcheck cushioning controlled by a hex key adjustable valve. Closers shall have backcheck position controlled by a hex key adjustable valve.

[Closers shall have adjustable delayed-action closing controlled by a hex key adjustable valve.]

\*Closers shall be enclosed in a [plated] [sprayed] metal cover. Closers to be Norton® [7570]. Covers shall be fastened to the body at four points, two at the top and two at the bottom to prevent prying.

\*\*For special arms insert the appropriate specification from column three on this page.

**\*\*Unitrol® Arm**

Door closers shall have built-in door stop effective at one point selected at installation, from 85° - 110° in five-degree increments. Door stop shall be cushioned by a shock-absorbing heavy-duty spring action effective at the soffit plate pivot. Closers shall be provided for parallel arm installation using rigid steel main arm and secondary arm lengths proportional to the door width.

**\*\*CloserPlus® Arm**

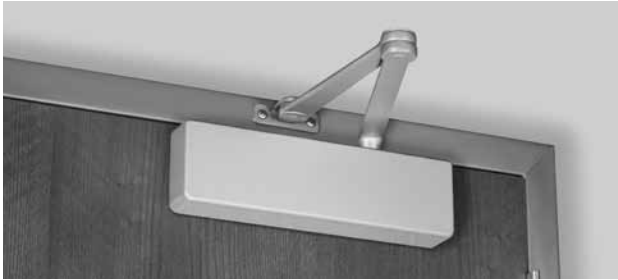
Door closers shall have built-in door stop [and holder] effective at one point selected at installation, from 85° - 110° in five-degree increments. Door stop mechanism shall be reversible and attached to soffit plate. [Hold open mechanism shall have engage/disengage selection actuated by thumbturn]. Closers shall be provided for parallel arm installation using rigid steel main and secondary arms.

**\*\*CloserPlus Spring™ Arm**

Door closers shall have built in door stop [and holder] effective at one point selected at installation, from 85° - 110° in five-degree increments. Door stop mechanism shall have a buffer spring that engages prior to the dead stop feature, reducing shock loads to the door and frame assembly. Door stop mechanism shall be reversible and attached to soffit plate. [Hold open mechanism shall have engage/disengage selection actuated by thumbturn]. Closers shall be provided for parallel installation using rigid steel main and secondary arms.



APPLICATIONS



**Regular Rigid Arm**

This double lever arm features a non-adjustable secondary arm. Orbitally riveted joints prevent tampering or disassembly. The rigid heavy-duty arm is standard with the security closers featuring a regular arm application.

Auxiliary door stop required. Available non-hold open only.



**Parallel Rigid Arm**

An enhanced variation of the standard parallel arm assembly that is intended for use in heavy traffic areas where auxiliary door stops are installed.

Auxiliary door stop required. Available non-hold open only.



**CloserPlus® Arm**

Similar to the Parallel Rigid arm, this arm incorporates a stop at the arm's soffit plate to dead stop the door at a predetermined degree of door swing between 85° and 110°, in 5° increments. Prior to dead stop the door closer's backcheck feature slows the door speed to reduce the impact of the stop action.

*CloserPlus* arm is intended for use where an auxiliary door stop cannot be utilized and no more than moderate abuse is anticipated. Where more extreme conditions are expected, use of a Unitrol® arm is recommended.

Thumbturn hold open available. (Hold open strength is adjustable.)

APPLICATIONS



**CloserPlus Spring™ Arm**

This heavy-duty stop arm includes all of the features of the *CloserPlus* Arm, plus an added buffer spring that is compressed prior to the arm hitting the dead stop point. This greatly reduces the shock of the stopping action that occurs with the *CloserPlus* arm.

*CloserPlus Spring* Arm is intended for use where an auxiliary door stop cannot be utilized and no more than moderate abuse is anticipated. Where more extreme conditions are expected, use of a *Unitrol* arm is recommended.

Thumbturn hold open available. (Hold open strength is adjustable.)



**Unitrol® Arm (Parallel Arm)**

*Unitrol* arms combine the features of a double lever arm overhead door stop/holder with the backcheck feature of the door closer to reduce door stopping shock loads to a minimum. This arm uses a compression spring buffer at the soffit plate/arm shoe that will absorb 30 lbs. of force, 5° prior to the door's dead stop. Coupled with the door closer's backcheck feature, the *Unitrol* Arm offers the most controlled stop available with a surface door closer.

There are three different length arm assemblies. Each length is designed for a specific range of door widths to provide precise door control. This further lessens the dead stop impact on the door's hinges/pivots.



Pull Side



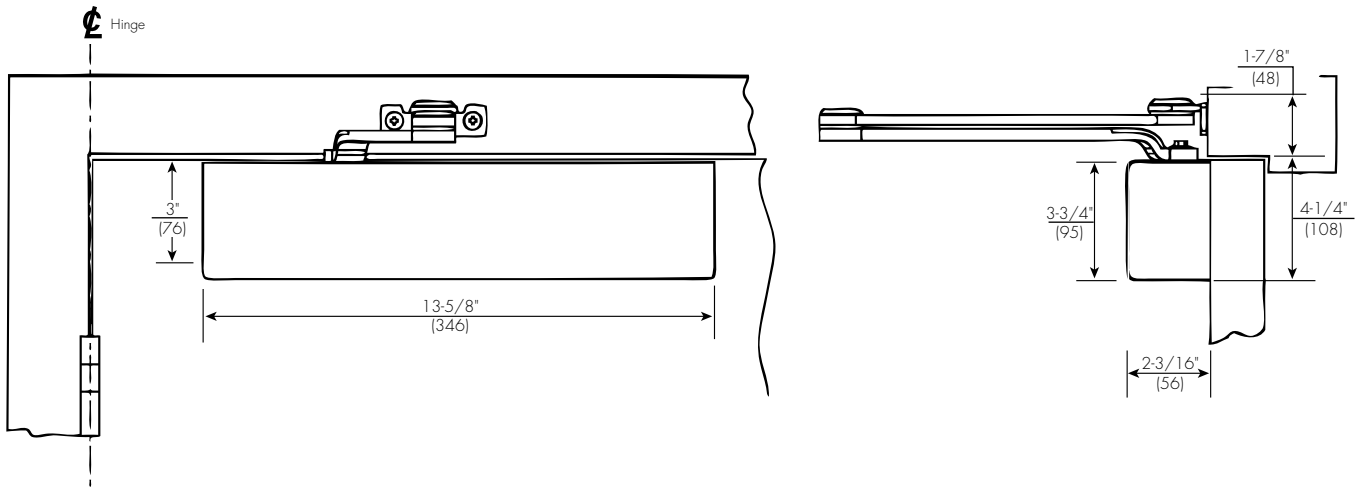
Push Side

**Slide Track Mounting**

Whether pull or push side mounted, this application provides the designer with the smoothest lines available in a surface-mounted door closer. The single lever arm allows components to be located in a stack configuration to minimize projection and eliminate obtrusive arm angles.

Auxiliary door stop is recommended for this application.

REGULAR RIGID ARM



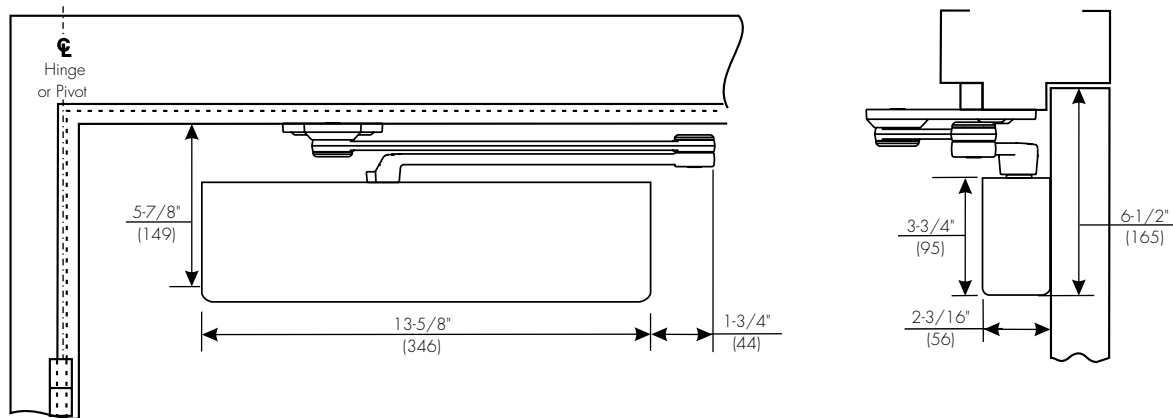
Mounting holes for closer body are spaced 2-3/8" (60mm) vertically x 6-3/4" (171mm) horizontally.

Maximum Door Width Inches (cm)		Model Number
Interior	Exterior	Non-Hold Open
36" (91)	30" (76)	7570
42" (107)	36" (91)	
46" (117)	42" (107)	
54" (137)	48" (122)	
—	52" (132)	

Notes:

- 7570 door closers are set at midpower range from the factory and can be adjusted for door sizes noted above.
- Sizing charts are based on 1-3/4" (44mm) x 7'0" (2.13m) standard weight doors swinging to 110 degrees. Other conditions (such as door height or weight, or wind/draft conditions) may require a larger size closer.
- Contact factory if door weight exceeds 250 lbs.

PARALLEL RIGID ARM

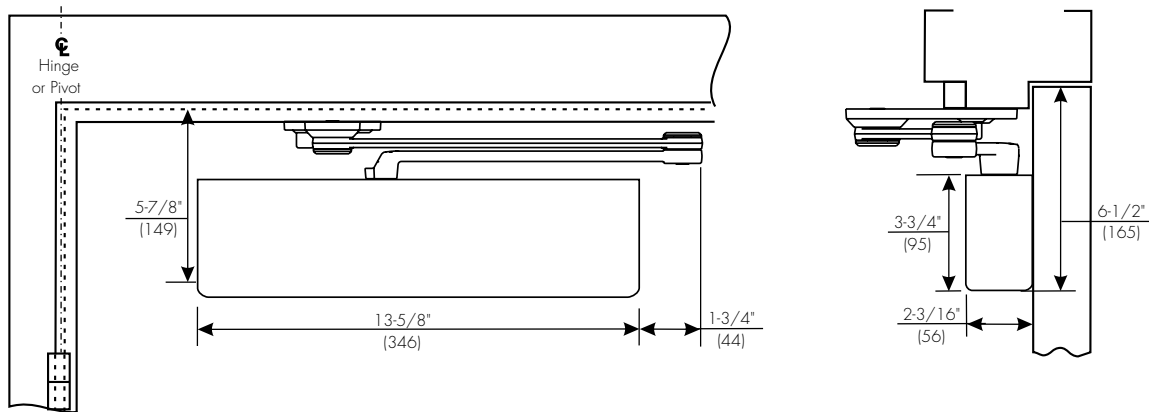


Mounting holes for closer body are spaced 2-3/8" (60mm) vertically x 6-3/4" (171 mm) horizontally.

Maximum Door Width Inches (cm)		Model Number
Interior	Exterior	Non-Hold Open
30" (76)	—	PR7570
36" (91)	32" (81)	
42" (107)	36" (91)	
48" (122)	42" (107)	
—	48" (122)	

- Notes:**
- 7570 door closers are set at midpower range from the factory and can be adjusted for door sizes noted above.
  - Sizing charts are based on 1-3/4" (44mm) x 7'0" (2.13m) standard weight doors swinging to 110 degrees. Other conditions (such as door height or weight, or wind/draft conditions) may require a larger size closer.
  - Contact factory if door weight exceeds 250 lbs.

CLOSERPLUS<sup>®</sup> ARM



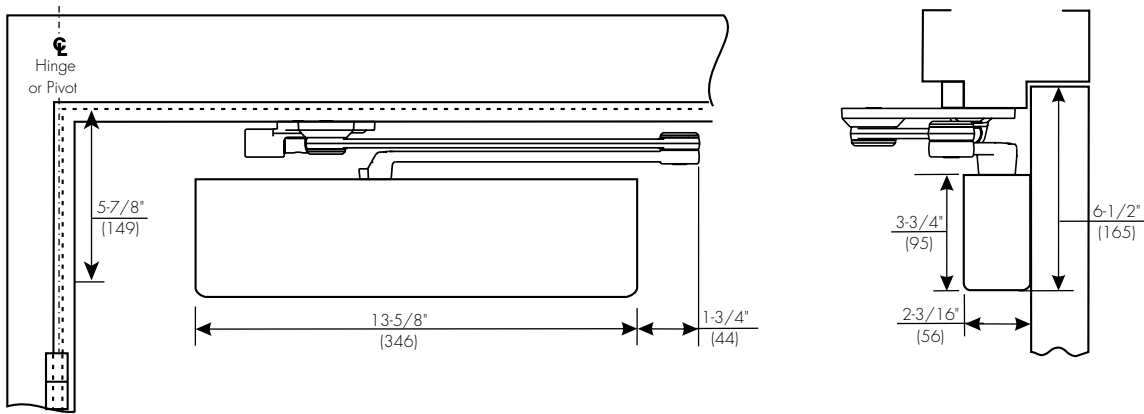
Mounting holes for closer body are spaced 2-3/8" (60mm) vertically x 6-3/4" (171mm) horizontally.

Maximum Door Width Inches (cm)		Model Number	
Interior	Exterior	Non-Hold Open	Hold Open
30" (76)	—	CLP7570	CLP7570T
36" (91)	32" (81)		
42" (107)	36" (91)		
48" (122)	42" (107)		
—	48" (122)		

**Notes:**

- 7570 door closers are set at midpower range from the factory and can be adjusted for door sizes noted above.
- Sizing charts are based on 1-3/4" (44mm) x 7'0" (2.13m) standard weight doors swinging to 110 degrees. Other conditions (such as door height or weight, or wind/draft conditions) may require a larger size closer.
- Contact factory if door weight exceeds 250 lbs.

CLOSERPLUS SPRING™ ARM



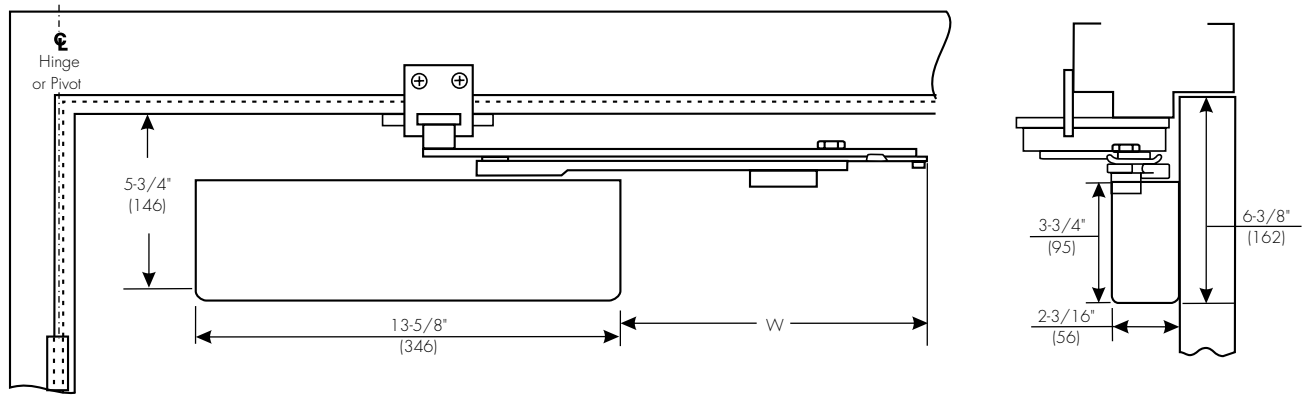
Mounting holes for closer body are spaced 2-3/8" (60mm) vertically x 6-3/4" (171mm) horizontally.

Maximum Door Width Inches (cm)		Model Number	
		Non-Hold Open	Thumbturn Hold Open
Interior	Exterior		
30" (76)	—	CPS7570	CPS7570T
36" (91)	32" (81)		
42" (107)	36" (91)		
48" (122)	42" (107)		
—	48" (122)		

**Notes:**

- 7570 door closers are set at midpower range from the factory and can be adjusted for door sizes noted above.
- Sizing charts are based on 1-3/4" (44mm) x 7'0" (2.13m) standard weight doors swinging to 110 degrees. Other conditions (such as door height or weight, or wind/draft conditions) may require a larger size closer.
- Contact factory if door weight exceeds 250 lbs.

UNITROL<sup>®</sup> PARALLEL ARM



Door width must be specified when ordering.

Mounting holes for closer body are spaced 2-3/8" (60mm) vertically x 6-3/4" (171mm) horizontally.

Use 6190\* bracket for reveals 1-7/8" - 4-5/8" (48 to 117mm). Reveals in excess of 4-5/8" (117mm) requires use of 6191\*\* reinforcing kit. Reveals to 1/8" (3mm) require use of a 2022\*\* angle bracket.

\* 6190 bracket is supplied standard with *Unitrol* arms.  
\*\* 6191 and 2022 must be specified in lieu of 6190 when required.

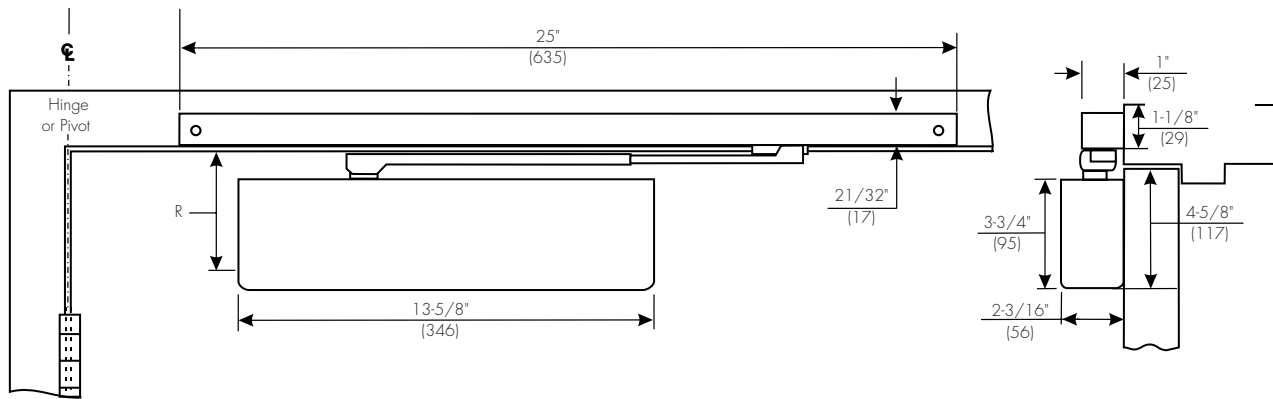
Door Width Inches (cm)	W Arm Extension Beyond Closer
28-32" (71-81)	8-5/8" (219)
33-41" (84-104)	10-1/8" (257)
42-48" (107-122)	11-1/2" (292)

Maximum Door Width Inches (cm)		Model Number
Interior	Exterior	Non-Hold Open
30" (76)	—	UNI7570
36" (91)	30" (76)	
42" (107)	36" (91)	
48" (122)	42" (107)	
—	48" (122)	

Notes:

- 7570 door closers are set at midpower range from the factory and can be adjusted for door sizes noted above.
- Sizing charts are based on 1-3/4" (44mm) x 7'0" (2.13m) standard weight doors swinging to 110 degrees. Other conditions (such as door height or weight, or wind/draft conditions) may require a larger size closer.
- Contact factory if door weight exceeds 250 lbs.

**PULL SIDE SLIDE TRACK**



Mounting holes for closer body are spaced 2-3/8" (60mm) vertically x 6-3/4" (171mm) horizontally.

R Minimum Top Rail of Door with Frame Stop	
Without Drop Plate	With 7786 Drop Plate
3-1/2" (89mm)	2" (51mm)

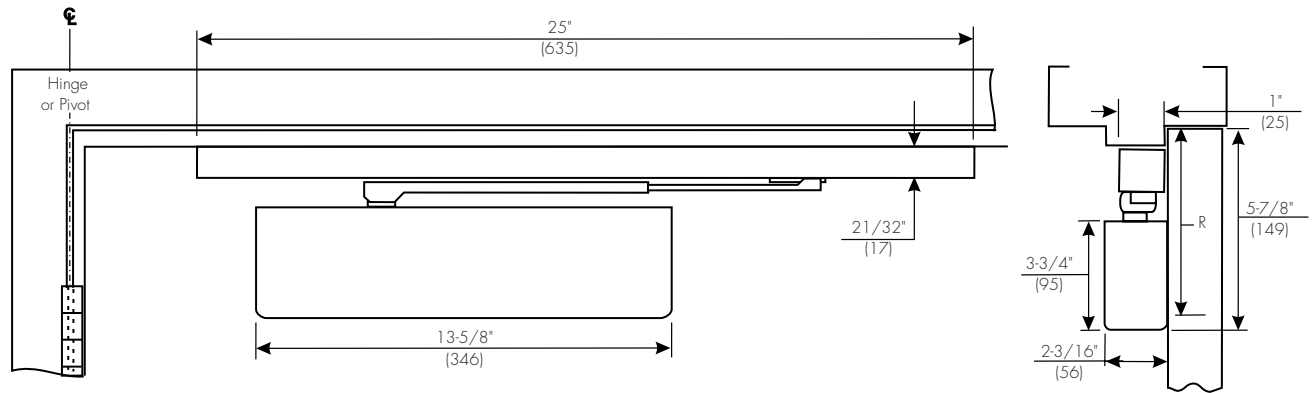
Maximum Door Width Inches (cm)	Model Number
Interior	Non-Hold Open
32" (81)	7570ST
38" (97)	
48" (122)	

**Notes:**

- 7570 door closers are set at midpower range from the factory and can be adjusted for door sizes noted above.
- Sizing charts are based on 1-3/4" (44mm) x 7'0" (2.13m) standard weight doors swinging to 110 degrees. Other conditions (such as door height or weight, or wind/draft conditions) may require a larger size closer.
- Door will swing up to 110° with buffer. Without buffer, door will swing to 180°. Auxiliary stop required for all applications.
- Contact factory if door weight exceeds 250 lbs.



PUSH SIDE SLIDE TRACK



Mounting holes for closer body are spaced 2-3/8" (60mm) vertically x 6-3/4" (171mm) horizontally.

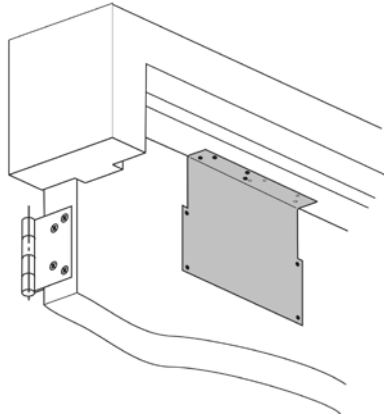
R Minimum Top Rail of Door with Frame Stop 5/8" (16mm)	
Without Drop Plate	With 7788 Drop Plate
5-1/4" (133mm)	3-5/8" (92mm)

Maximum Door Width Inches (cm)	Model Number
Interior	Non-Hold Open
32" (81)	PS7570ST
38" (97)	
48" (122)	

**Notes:**

- 7570 door closers are set at midpower range from the factory and can be adjusted for door sizes noted above.
- Sizing charts are based on 1-3/4" (44mm) x 7'0" (2.13m) standard weight doors swinging to 110 degrees. Other conditions (such as door height or weight, or wind/draft conditions) may require a larger size closer.
- Maximum degree of door swing is 125°. Auxiliary stop required for all applications.
- Contact factory if door weight exceeds 250 lbs.

METAL TEMPLATE

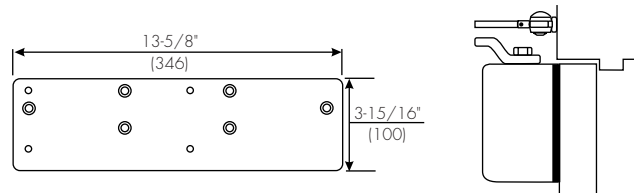


Metal template helps the installer locate the correct mounting holes for several parallel arm applications.

Model Number	Arm Applications
P77MT	Parallel Rigid, CloserPlus®, CloserPlus Spring™

REGULAR RIGID ARM

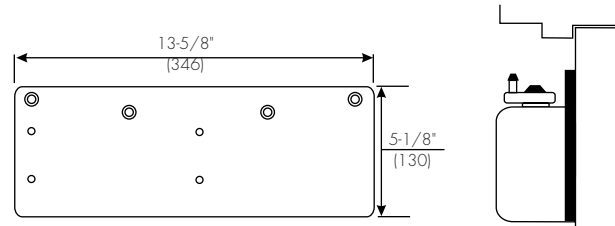
Closer Mounting Plate



**Narrow Top Rail - #7786 Drop Plate:** For use where the narrow top rail of the door prevents the closer from being mounted directly to the door surface. This drop plate must be used for a closer mounted on a top rail between 1-7/8" and 3-3/8" (48 and 86mm) in height.

PARALLEL RIGID ARM

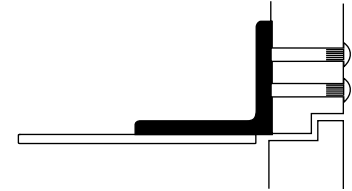
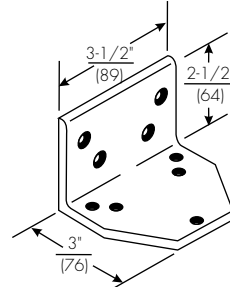
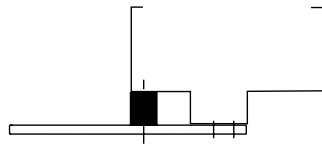
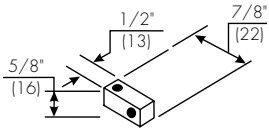
Closer Mounting Plate



**Narrow Top Rail - #7788 Drop Plate:** For use where a narrow top rail prevents the closer from being mounted directly to the door surface. This drop plate can be used to mount a closer on a top rail as narrow as 2-1/2" (64mm) in height.

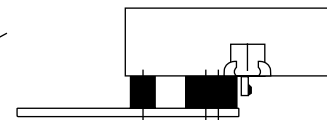
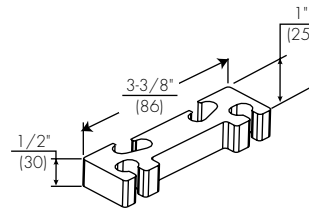
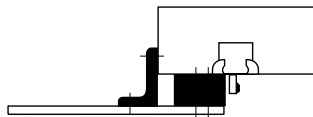
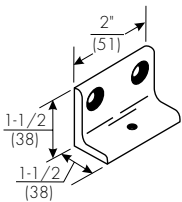
PARALLEL RIGID ARM

Brackets for Non-Hold Open Arms



**Standard - #2019S Spacer Block:** For use where a narrow frame soffit does not provide adequate support for the soffit plate. Supplied as standard with all parallel rigid arm closers.

**Flush Rabbeted Transom - #2019L Angle Bracket:** For use where flush transom conditions prevent mounting of the standard soffit plate. This bracket is used in combination with the standard soffit plate.

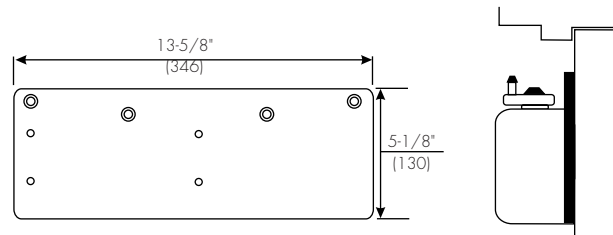


**Narrow Frame - #6890 Support Bracket:** For use where the frame is narrow, and the soffit plate cannot be mounted directly to the frame soffit or rabbet. Used in combination with the #6891 Spacer Block on blade stop frames to provide extra support and needed clearance of the blade stop.

**Clearance/Support Blade Stop - #6891 Spacer Block:** For use where the door frame has a blade stop and the soffit plate must be mounted on the frame rabbet. This accessory is used in combination with the standard spacer block to provide clearance of the blade stop.

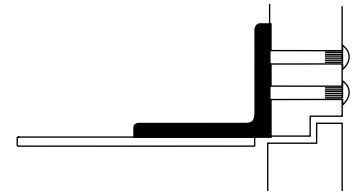
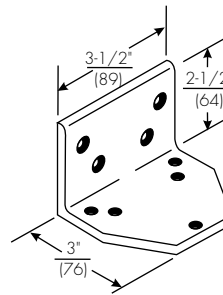
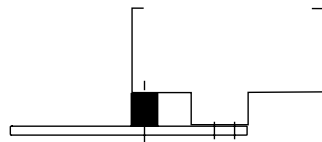
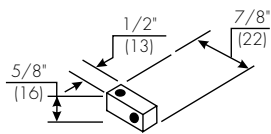
CLOSERPLUS<sup>®</sup> AND CLOSERPLUS SPRING<sup>™</sup> ARMS

Closer Mounting Plate



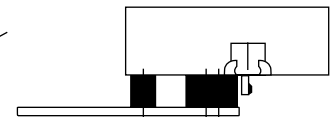
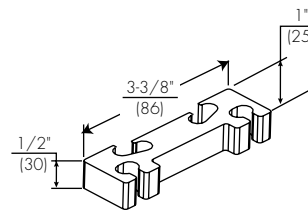
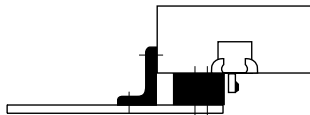
**Narrow Top Rail - #7788 Drop Plate:** For use where a narrow top rail prevents the closer from being mounted directly to the door surface. This drop plate can be used to mount a closer on a top rail as narrow as 2-1/2" (64mm) in height.

Brackets for Non-Hold Open Arms & Hold Open Arms



**Standard - #2019S Spacer Block:** For use where a narrow frame soffit does not provide adequate support for the soffit plate. Supplied standard with all parallel rigid arm closers.

**Flush Rabbeted Transom - #2019L Angle Bracket:** For use where flush rabbet conditions prevent mounting of the standard soffit plate. This bracket is used in combination with the standard soffit plate.



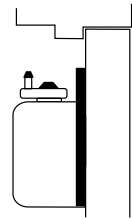
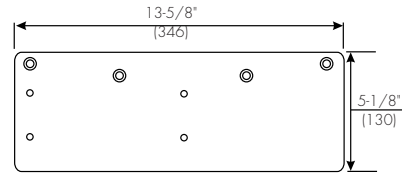
**Narrow Frame - #6890 Support Bracket:** For use where the frame is narrow, and the soffit plate cannot be mounted directly to the frame soffit or rabbet. Used in combination with the #6891 Spacer Block on blade stop frames to provide extra support and needed clearance of the blade stop.

**Clearance/Support Blade Stop - #6891 Spacer Block:** For use where the door frame has a blade stop and the soffit plate must be mounted on the frame rabbet. This accessory is used in combination with the standard spacer block to provide clearance of the blade stop.

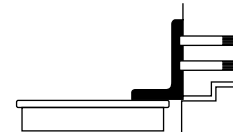
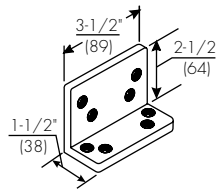
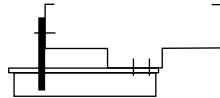
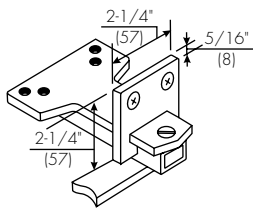
UNITROL® ARM

Closer Mounting Plate

**Narrow Top Rail - #7788 Drop Plate:** For use where a narrow top rail prevents the closer from being mounted directly to the door surface. This drop plate can be used to mount a closer on a top rail as narrow as 2-3/8" (60mm) in height.

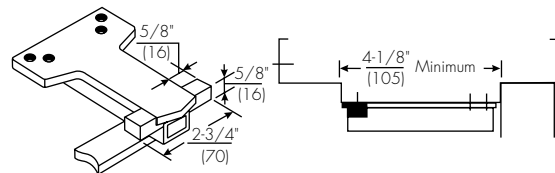
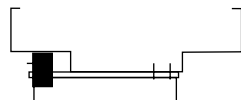
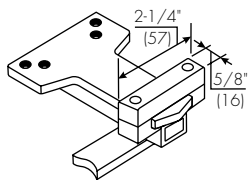


Soffit Plate Reinforcing Brackets



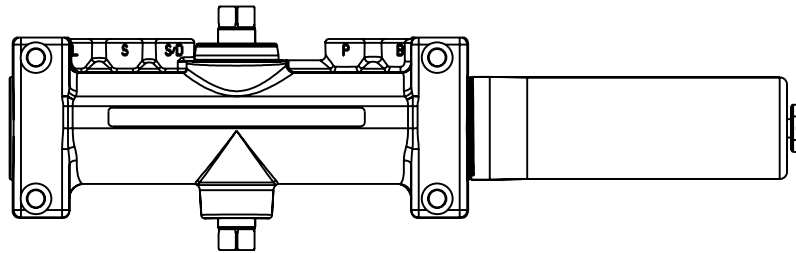
**Additional Support - #6190 Reinforcing Bracket:** Standard for use with all Parallel Arm *Unitrol* Door Controls. Provides additional support to the soffit plate on installations with door frame reveals from 1-7/8" to 4-5/8" (48 to 117mm).

**Flush Rabbeted Transom - #2022 Angle Bracket:** Optional for use with all Parallel Arm *Unitrol* Door Controls. For use where rabbeted or flush transom conditions prevent installation of the soffit plate assembly. This bracket fastens to the overhead transom to provide a mounting surface for the soffit plate assembly.



**Wide Frame - #6191 Reinforcing Kit:** Optional for use with all Parallel Arm *Unitrol* Door Controls. Used to support the soffit plate on installations with wide frames. Clamps may be used with or without the spacer block, depending on frame conditions.

DOOR CLOSER BODY ASSEMBLIES



Torx <sup>®</sup> Screw Pack <sup>^</sup>	
Arm Type	Part Number
Regular Rigid Heavy-Duty	RTX47
Parallel Rigid, CloserPlus <sup>®</sup> CloserPlus Spring <sup>™</sup>	PRTX47
Unitrol <sup>®</sup> Arm	UNITX47

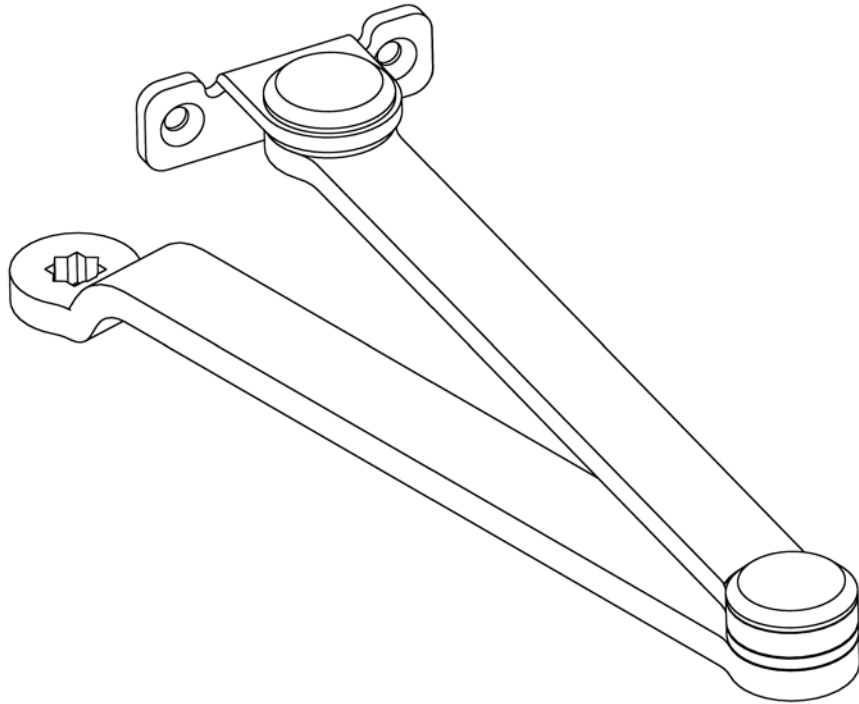
Closer Bodies	
Part Number	Description
7500LAP	Multi-Size Closer Body
7500DALAP	With Delayed Action

LAP = Less All Parts

<sup>^</sup>Torx screws with machine screw threads are supplied with security closers.

Covers				
Part Number	Mounting	Handing	Dimensions	Material
7770MRR	Regular Arm	Right Hand	Length: 13-5/8" (346mm) Width: 3-3/4" (95mm) Projection: 2-3/16" (56mm)	Metal
7770MRL		Left Hand		
7770MPR	Parallel Arm	Right Hand		
7770MPL		Left Hand		

REGULAR RIGID ARM

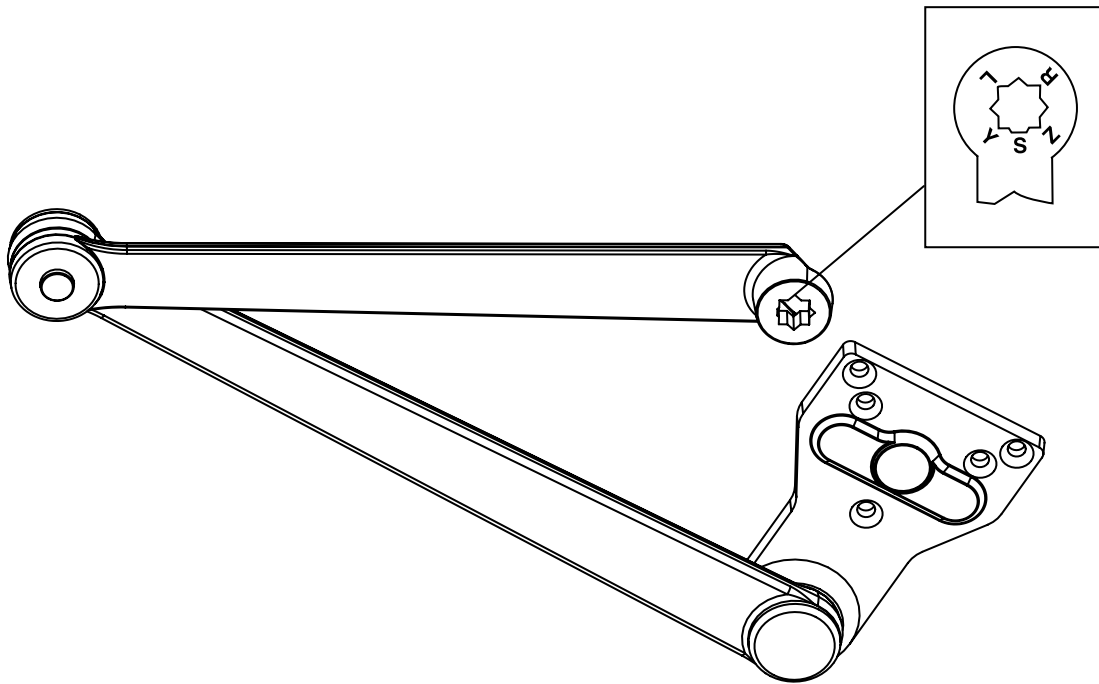


**Note:** Mounting hardware included with all parts orders.

Closer Series	Arm Function	Complete Arm Assembly
R7570	Non-Hold Open	7771-1



PARALLEL RIGID ARM

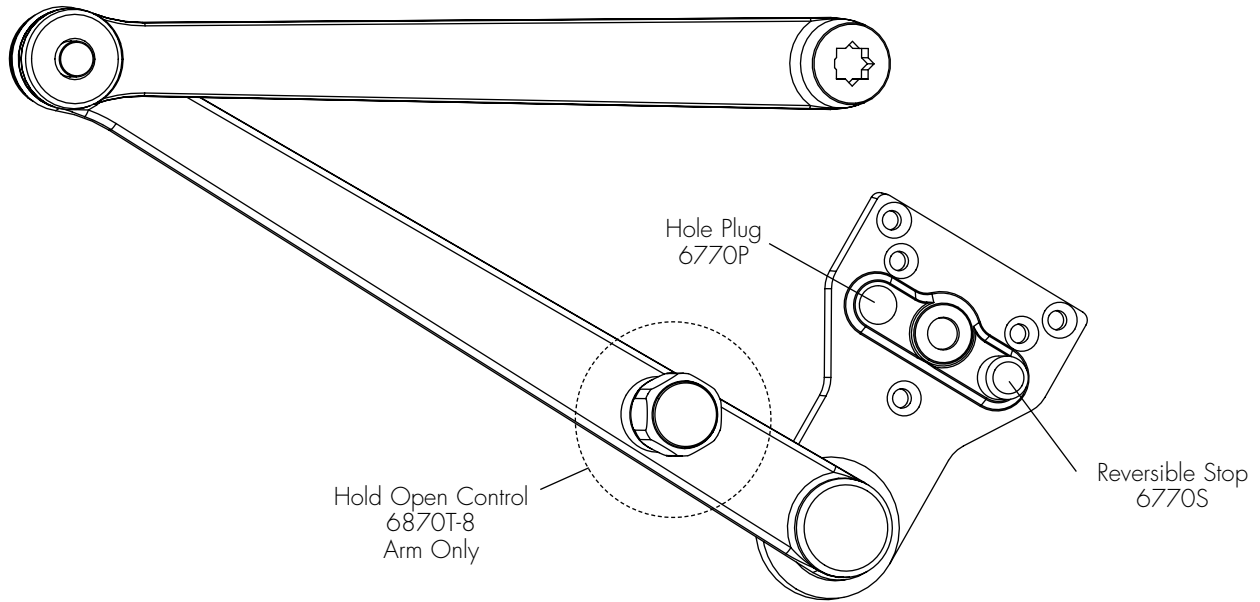


**Note:** Mounting hardware included with all parts orders.

Closer Series	Arm Function	Complete Arm Assembly
PR7570	Non-Hold Open	7771-5

CLOSERPLUS® ARM

Hold Open Arm Shown (CLP-T)

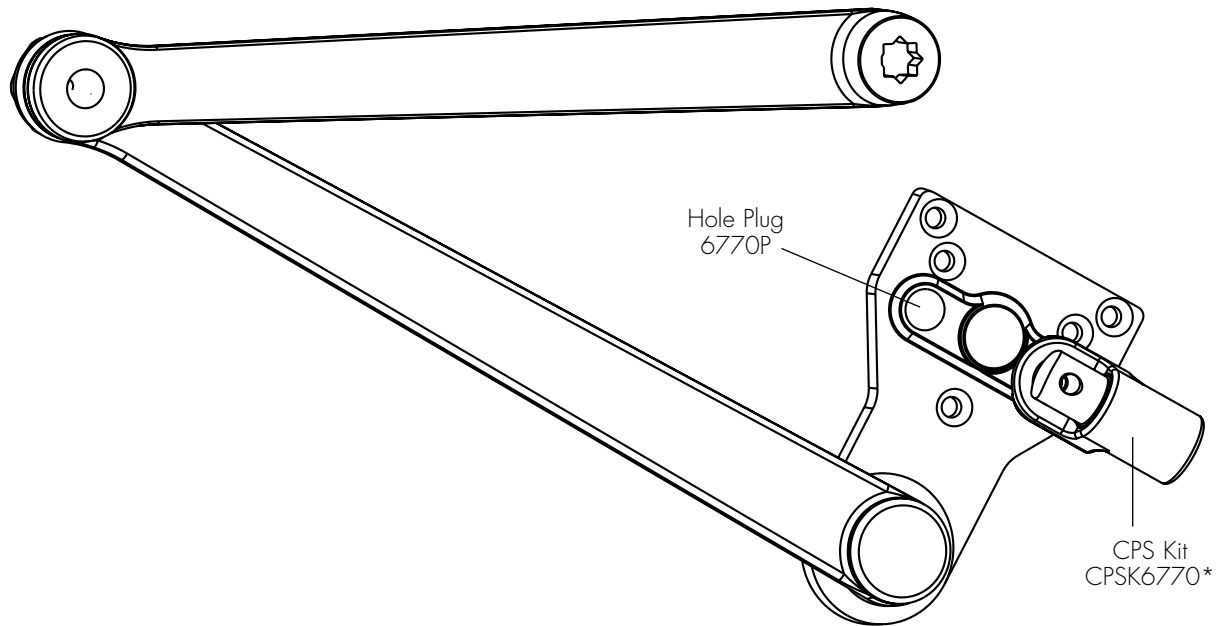


**Note:** Mounting hardware included with all parts orders.

Closer Series	Arm Function	Complete Arm Assembly
CLP7570	Non-Hold Open	CLP7771-5
CLP7570T	Thumbturn Hold Open	CLP7771-8T

CLOSERPLUS SPRING™ ARM

Non-Hold Open Arm Shown

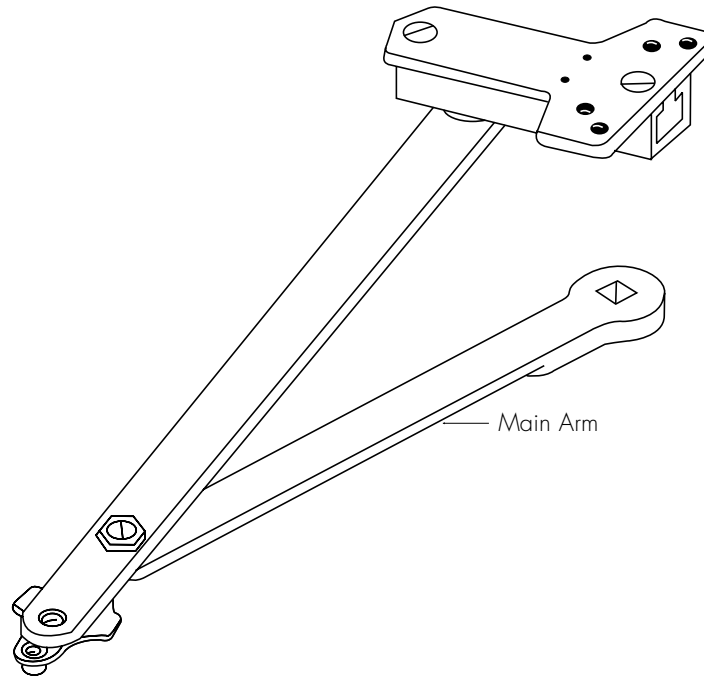


**Note:** Mounting hardware included with all parts orders.

Closer Series	Arm Function	Complete Arm Assembly
CPS7570	Non-Hold Open	CPS7771-5
CPS7570T	Thumbturn Hold Open	CPS7771-8T

\* CPSK6770 Kit can be used to upgrade CLP7771-5 or CLP7771-8T arms.

UNITROL® ARM



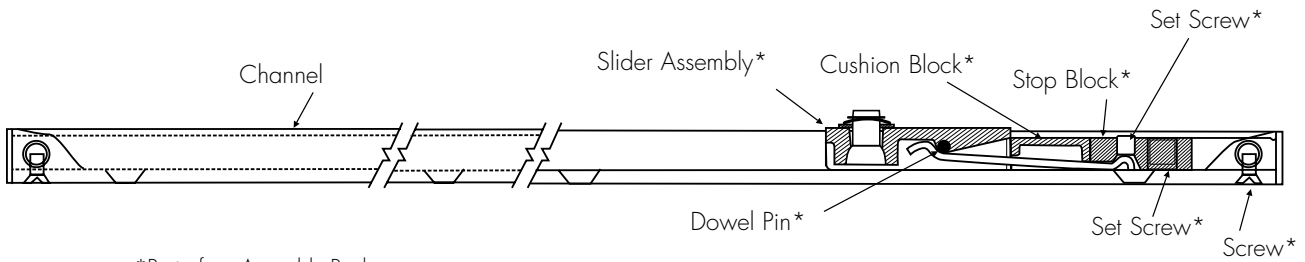
**Note:** Mounting hardware included with all parts orders.

Door Width (cm)	Main Arm Length* (mm)	Complete Arm Assembly
		Non-Hold Open
28" - 32" (71 - 81)	9-1/2" (241)	6100-11
33" - 41" (84 - 104)	11" (279)	6100-13
42" - 48" (107 - 122)	12-1/2" (318)	6100-14

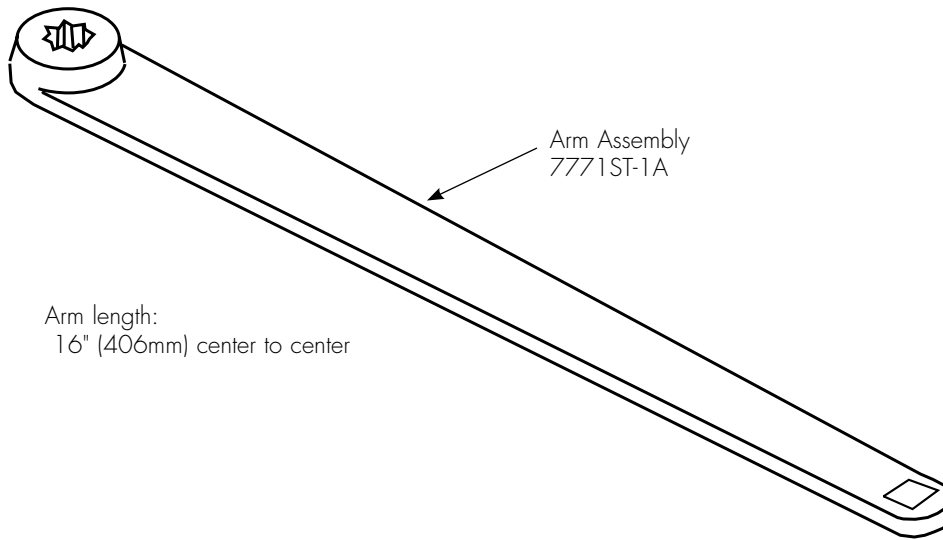
\* Center to center length.

TRACK ASSEMBLIES

Non-Hold Open	
Model	Slide Track Assembly
Pull-side mounted	7771ST-1T
Push-side mounted	7771ST-5T



\*Part of an Assembly Pack  
Non-Hold Open = 7740SLD



Arm length:  
16" (406mm) center to center

**Note:** Mounting hardware included with all parts orders.

CONTACT US AT:

Norton Door Controls  
3000 Highway 74 East  
Monroe, NC 28112  
Tel: 877-974-2255  
Fax: 800-338-0965

ASSA ABLOY Door Security Solutions Canada  
160 Four Valley Drive  
Vaughan, Ontario, L4K 4T9 Canada  
Tel: 800-461-3007  
Fax: 905-738-2478

For a complete listing of products and  
applications please visit our web site.  
[www.nortondoорcontrols.com](http://www.nortondoорcontrols.com)  
[www.assaabloy.ca](http://www.assaabloy.ca)

Norton®, Unitor® and CloserPlus® are registered trademarks of Yale Security Inc., an ASSA ABLOY Group company. CloserPlus Spring™ is a trademark of Yale Security Inc., an ASSA ABLOY Group company. Other products' brand names may be trademarks or registered trademarks of their respective owners and are mentioned for reference purposes only. These materials are protected under U.S. copyright laws. All contents current at time of publication. Copyright © 2002-2015, Yale Security Inc., an ASSA ABLOY Group company. All rights reserved. Reproduction in whole or in part without the express written permission of Yale Security Inc. is prohibited.