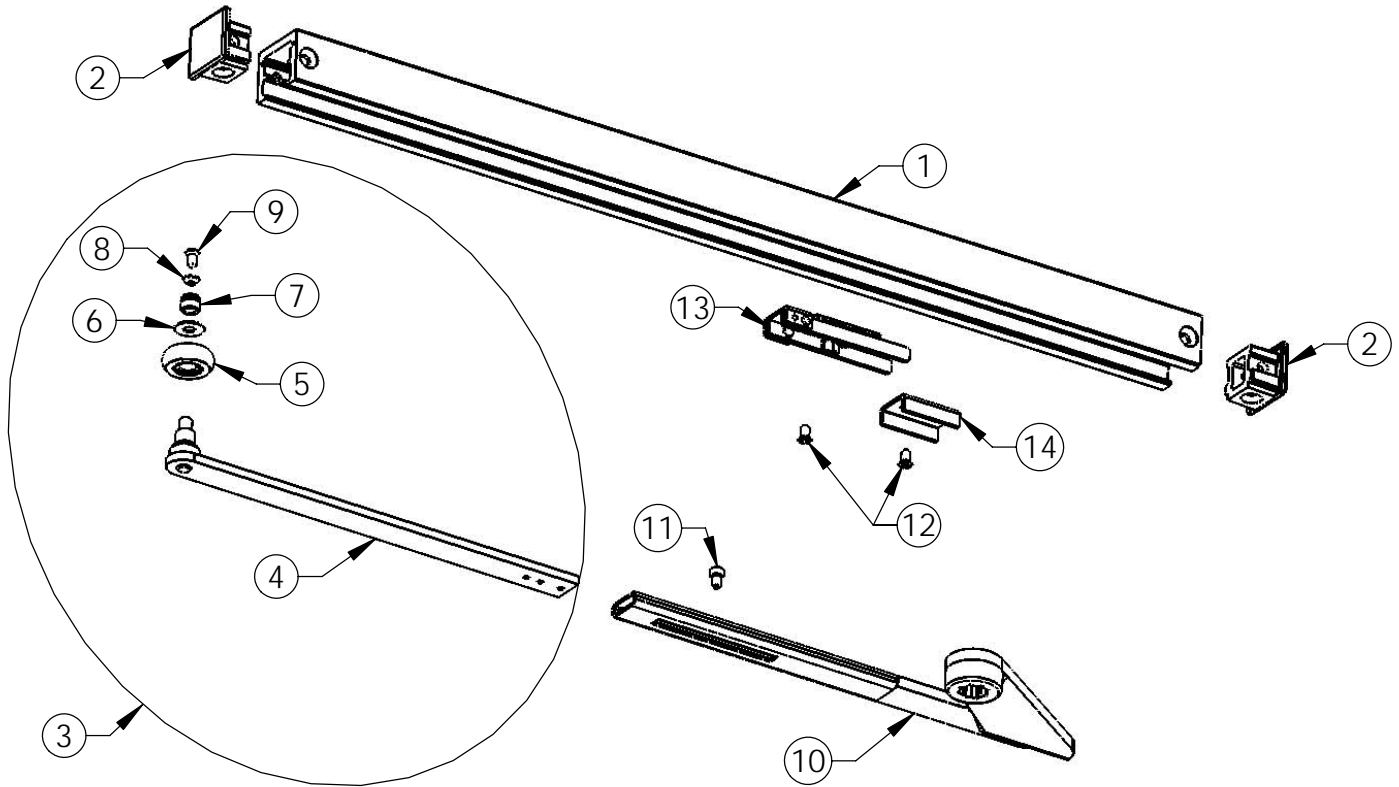


25- HDS ARM AND TRACK ASSEMBLY

- USE WITH 351 SERIES DOOR CLOSER ONLY -

PART LIST

PAGE NO. 27 REV A
DATE: 9/15/05



ITEM	PART NO.	DESCRIPTION	QTY.
1	63-0157*	Channel	1
2	63-0682*	End Cap	2
3	63-4206*	Arm And Roller Assembly	1
4	63-4276*	Arm And Stud Assembly	1
5	63-3900	Roller Assembly	1
6	63-0687	Washer	1
7	63-0738	Bushing	1
8	01-0930	Countersunk Lock Washer	1
9	01-1028	Flat Head Machine Screw 8-32 x 5/16"	1
10	63-3056*	Double Egress Arm, Right Hand	1
	63-3057*	Double Egress Arm, Left Hand	1
11	01-1463	Adjusting Rod Screw	1
12	01-1028	Machine Screw 8-32 X 1/4"	2
13	63-2063	Spring Slide Assembly	1
14	63-0678	Spring Support	1
15	63-4212*	Mounting Screw Pack (Not Shown)	1

*FINISH REQUIRED (FINISHES: EB, EN, ED, EP, EAB)

SARGENT[®]

© SARGENT Manufacturing Company 2006