

NOTES: SEE MASTER SHEET #10001 FOR SUGGESTED REINFORCING

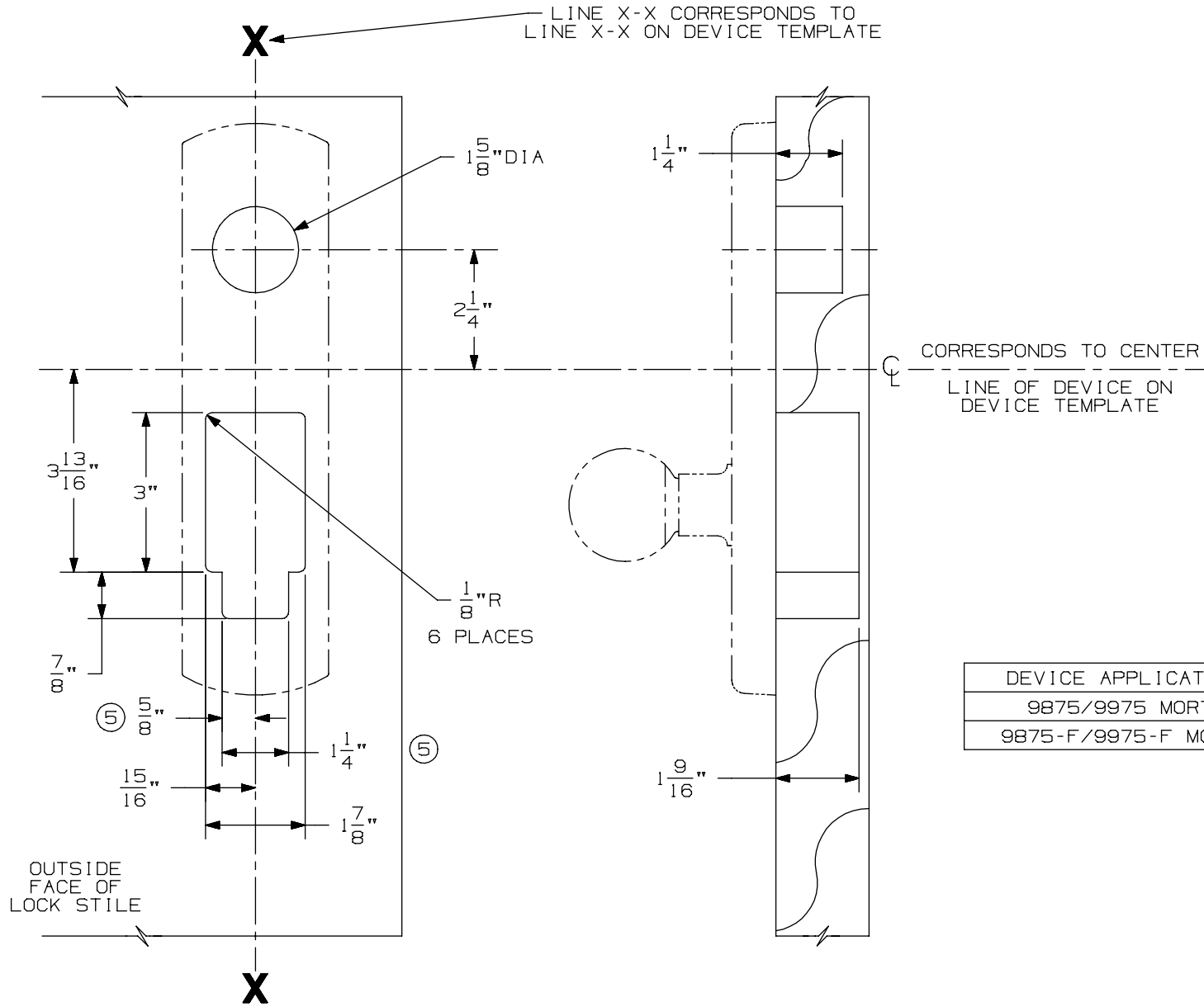
991K & 992L Trim (Wood Door)

TEMPLATE NUMBER:

W20280\_a

DATE: 05-29-13

**VON DUPRIN®**



DEVICE APPLICATION SCHEDULE
9875/9975 MORTISE DEVICE
9875-F/9975-F MORTISE DEVICE

LHR SHOWN  
RHR OPPOSITE

NOTE: MOUNTING HOLES TO BE PREPARED AT INSTALLATION ON DOOR.

FOR CUTOUTS ON INSIDE FACE OF DOOR SEE DEVICE TEMPLATE.