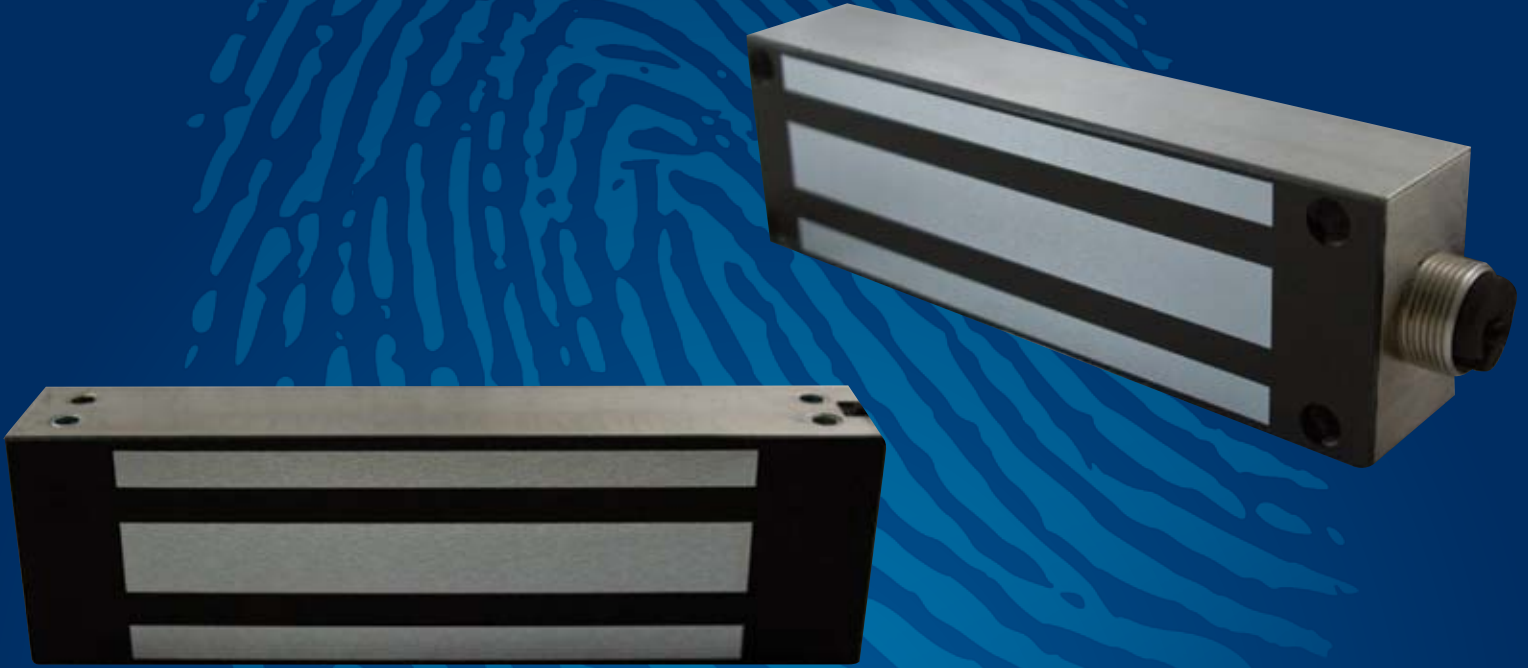




OPEN UP NEW HORIZONS
A HALMA COMPANY

MAGLOCKS

UL Listed Weather Resistant



WEATHER RESISTANT
EASY INSTALLATION
ULTIMATE PROTECTION

Quality
Intelligence
Precision

Designed with a rugged stainless steel housing, these electromagnetic locks are the ideal solution for sliding and swinging gates and high security doors.

- Built-in remote lock status sensor – ideal for remote monitoring
- Available in a front mount model with a $\frac{3}{4}$ inch male universal threaded conduit fitting and a side mount model for swinging doors and gates.
- No residual magnetism
- Field selectable 12 or 24 VDC
- Built-in surge protection
- UL and ULC Listed for use on fire rated doors for up to 1½ hours

WWW.BEASENSORS.COM



TECHNICAL SPECS

10GL1200R (Front Mounted)

Certifications	Holding Force	Dimensions (LxHxD)	Input Voltage	Current Draw	Contact	Rating Cable Spec	Housing Material
NEMA 4 UL / ULC Listed	1200 lb	8.75" x 2.5" x 1.625"	12 or 24 VDC	500 mA @ 12 VDC 250 mA @ 24 VDC	0.250 A @ 12 V 0.125 A @ 24 V	24 AWG 7 conductor; 3.5 ft	Stainless Steel

10GL1200SR (Side Mounted)

Certifications	Holding Force	Dimensions (LxHxD)	Input Voltage	Current Draw	Contact	Rating Cable Spec	Housing Material
NEMA 4 UL / ULC Listed	1200 lb	8.75" x 2.5" x 1.625"	12 or 24 VDC	500 mA @ 12 VDC 250 mA @ 24 VDC	0.250 A @ 12 V 0.125 A @ 24 V	24 AWG 7 conductor; 9.5 ft	Stainless Steel

FAMILY OF PRODUCTS



10GL1200SR
1200LB – SIDE MOUNT

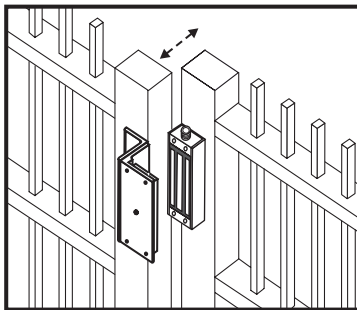


10GL1200R
1200LB – FRONT MOUNT

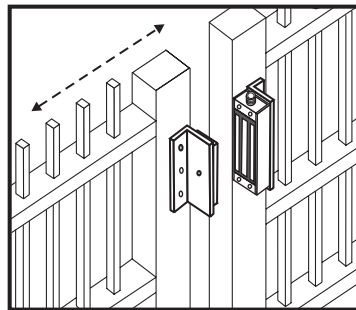


10LZBRGATE1200
L & Z MOUNTING
BRACKETS

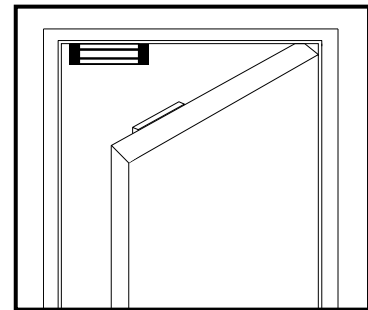
APPLICATIONS



SWINGING APPLICATIONS
*10GL1200R with Z-Bracket
mounting option*



SLIDING APPLICATIONS
*10GL1200R with L-Bracket
mounting option*



SWINGING APPLICATIONS
*10GL1200SR mounted on a
standard outswinging door*

- Ideal for outswinging perimeter doors requiring additional protection
- Suitable for use in washdown and other harsh environments
- All internal electronics are sealed (NEMA 4 Enclosure)

RELATED PRODUCTS



Maglocks
UL Listed, electromagnetic locks offer the ultimate protection for most access control applications



Delayed Egress
All-in-One Maglock kit for single outswinging doors. UL / ULC Listed, LED Status, 12 / 24 VDC, 1200 lb



Matrix
Single and dual digital inductive loop detectors for vehicle access control



Falcon
Overhead industrial activation sensor utilizing microwave technology



IS40
Overhead industrial sensor utilizing both microwave and infrared technology



Br3
Programmable 3 Relay logic module with 12 selectable functions



Power Supply
UL/ULC Listed 12 to 24 VDC with a battery backup option available



RF-433
433 MHz digital receivers and transmitters with sequencing function



R2E-100
UL / ULC Listed, Active Infrared, Request To Exit Detector designed for access control applications



Electric Strikes
UL / ULC Listed, door frame mounted, strikes for most security applications

BEA Inc.
RIDC Park West
100 Enterprise Drive
Pittsburgh, PA 15275-1213

PHONE: 1 800.523.2462
FAX: 1 888.523.2462

BEA West
Arrow Highway Corp. Ctr.
190 E. Arrow Hwy, Suite A
San Dimas, CA 91773-3314

PHONE: 1 800.523.2462
FAX: 1 888.523.2462

BEA Latin America
Mexico / Caribbean
190 E. Arrow Hwy, Suite A
San Dimas, CA 91773-3314

PHONE: 1 800.711.1398
FAX: 1 888.523.2462



OPEN UP NEW HORIZONS