

# DC300 Series Door Closers

## Value Product

The Arrow DC300 Series surface applied door closers are an economical value for customers requiring convenience and security in an affordable package. They are ideally suited for retail or office buildings.

### Compliance:

- UL/cUL listed.
- UL10C listed for positive pressure to comply with UBC-72 (1997).
- Meets requirements of ANSI A156.4. Grade 1
- Adjustable size closers may be adjusted to meet requirements of ADA and ANSI ICC A117.1.



Look for the universal symbol next to Arrow products that comply with ADA accessibility requirements.

### Sizes (Adjustable/Fixed):

- DC314 – Adjustable sizes 1 through 4.
- DC325 – Adjustable sizes 2 through 5.
- DC304 – Fixed size 4.
- DC305 – Fixed size 5.

#### Interior Door Width

	24" (610mm)	30" (762mm)	34" (865mm)	38" (965mm)	48" (1219mm)	54" (1372mm)
Regular Arm & Top Jamb	Size 1	Size 2	Size 3	Size 4	Size 5	
Parallel Arm	Size 2	Size 3	Size 4	Size 5		

#### Exterior (& Vestibule) Door Width

	24" (610mm)	30" (762mm)	36" (914mm)	42" (1067mm)
Regular Arm & Top Jamb	Size 3	Size 4	Size 5	
Parallel Arm	Size 4	Size 5		

### Features:

- Cast aluminum body.
- Hardened steel rack and pinion.
- High tensile steel springs.
- Staked valves
- Two non-critical adjusting valves (sweep and latch) control closing speed.
- Backcheck intensity valve.
- All temperature fluid.
- Full plastic cover available (sold separately).
- Non-handed for regular, top jamb and parallel arm mount applications.

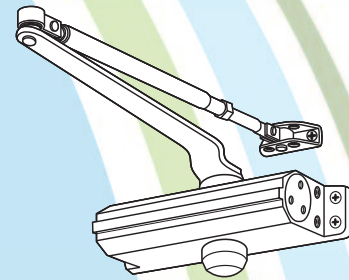
- Hold open arm available on adjustable closers – Specify: DC3xx-1.
- Supplied with fully threaded wood screws, machine screws and thru-bolts for 1-3/4" thick doors.
- Packaging: one per box and six boxes per carton.
- 10 year limited warranty.

### Finishes:

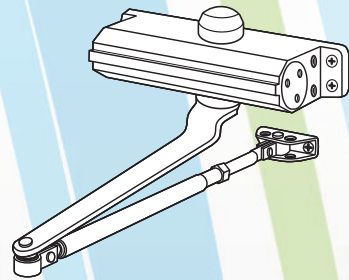
- Aluminum (689), Specify **AL**
- Dark Bronze (690), Specify **DBZ**



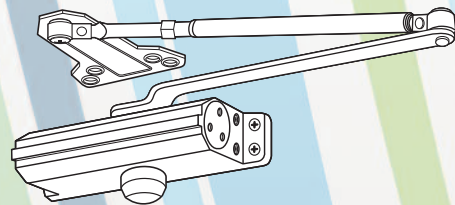
### Regular Arm Installation



### Top Jamb Installation



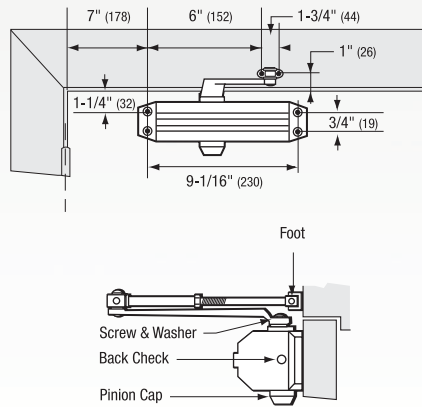
### Parallel Arm Installation



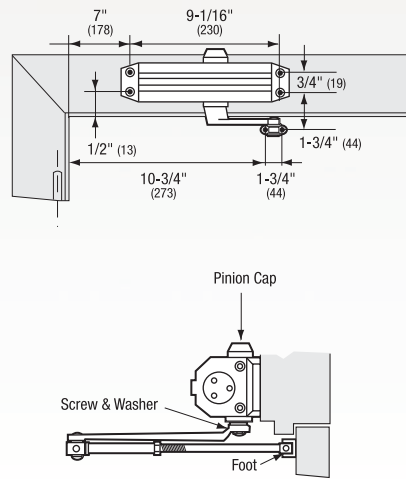
# DC300 Series Door Closers

## Value Product

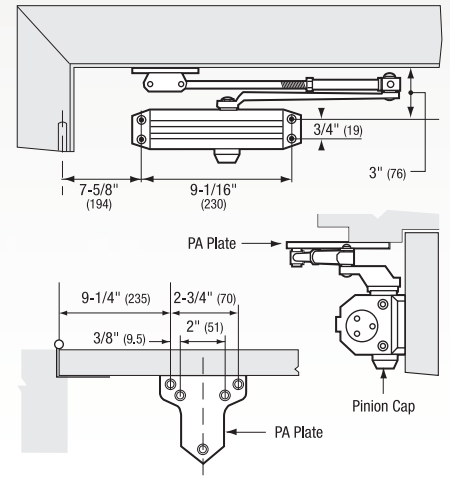
### Regular Arm Installation



### Top Jamb Installation



### Parallel Arm Installation



## How to order the DC300 Series

### Ordering Example:

Quantity	Part Number	Finish
20	DC314-1	• AL

### Complete Units:

	Part No.
Size 4, Standard Non-Hold Open Arm with PA Bracket .....	DC304
Size 5, Standard Non-Hold Open Arm with PA Bracket .....	DC305
Size 1-4, Standard Non-Hold Open Arm with PA Bracket .....	DC314
Size 1-4, Standard Hold Open Arm with PA Bracket .....	DC314-1
Size 2-5, Standard Non-Hold Open Arm with PA Bracket .....	DC325
Size 2-5, Standard Hold Open Arm with PA Bracket .....	DC325-1

### Parts & Accessories:

	Part No.
Full Plastic Cover, Screw Pack, 1-3/8" Thru-bolts .....	DC3CVR
Thru-bolts 2-1/4" .....	DC300TB2

Specify Finish **AL** or **DBZ**.

ASSA ABLOY, the global leader  
in door opening solutions

**ARROW**  
LOCK & DOOR HARDWARE  
**ASSA ABLOY**