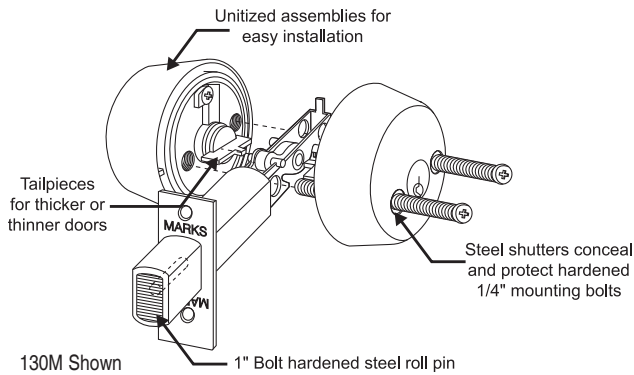


# DEFENDER SERIES

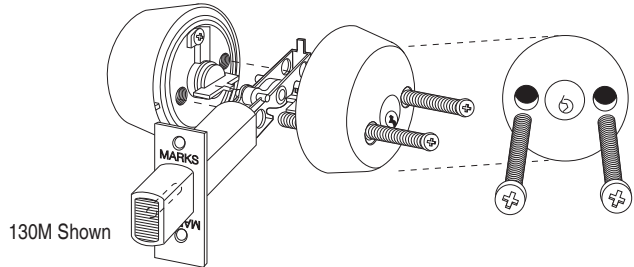
## TUBULAR DEADBOLTS & CYLINDRICAL CARTRIDGE DEADLATCHES

### DEFENDER SERIES UNIQUE FEATURES



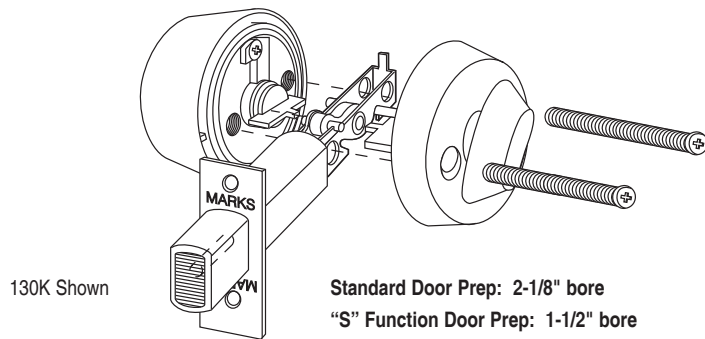
### PROTECTIVE STEEL SHUTTERS

The Defender's steel shutters on the interior assembly conceal and protect the two hardened 1/4" mounting bolts which thru-bolt through the latch assembly.



### SIMPLE FAST ASSEMBLY

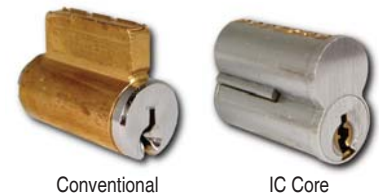
- Defender is designed for quick easy installation
- One piece assemblies
- Unitized exterior and interior trim assemblies have no loose components
- Tailpiece orientation and latch positioning, **required on other deadbolts**, is unnecessary
- Trim and latch are fully reversible and can be assembled randomly



### ONE CYLINDER FITS ALL

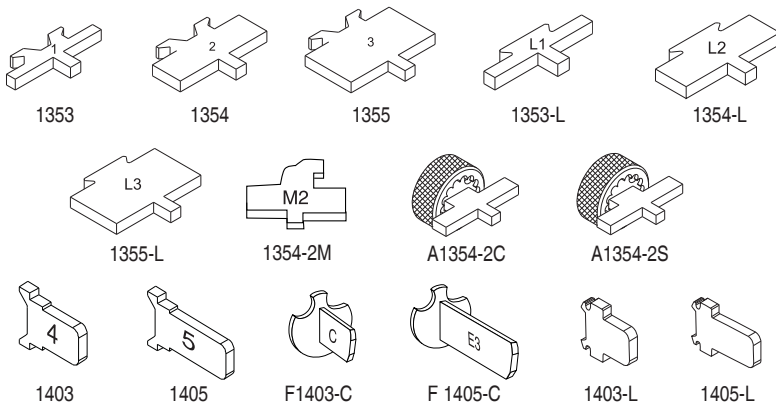
The Defender utilizes standard key-in-knob cylinders; same as MARKS cylindrical locksets. This important feature eliminates extra inventory of special cylinders making the key-in-knob cylinder inventory more versatile.

- Provides access to largest variety of keyways
- Models also available for 6 or 7 pin IC cores (Best™ size)



### EASY RETROFIT DEADBOLT

- Fits standard 2-1/8" diameter door prep
- The Defender offers a choice of tailpieces for MARKS & other OEM cylinders
- Fits 1-1/4" to 2-1/4" thick doors (Normally supplied for 1-3/4" door)
- Marks USA adapter tailpieces available for OEM conventional & IC Core cylinders




PART #	TAILPIECES FOR 130 SERIES DEADBOLTS	
1353	1-1/4" to 1-1/2"	MARKS 1982
1354	1-5/8" to 1-7/8"	
1355	2" to 2-1/4"	
1353-L	1-3/8" to 1-1/2"	LORI 1539 / ILCO 705
1354-L	1-5/8" to 1-7/8"	
1355-L	2" to 2-1/4"	
1354-2M	1-5/8" to 1-7/8"	MEDECO® #20-200052 / #20-0700
A1354-2C	1-5/8" to 1-7/8"	CORBIN® 2000-34
A1354-2S	1-5/8" to 1-7/8"	SCHLAGE®
PART #	TAILPIECES FOR 145 SERIES DEADLATCHES	
1403	1-5/8" to 1-7/8"	MARKS
1405	2" to 2-1/4"	
F1403-C	1-5/8" to 1-7/8"	SCHLAGE®
F1405-C	2" to 2-1/4"	
1403-L	1-5/8" to 1-7/8"	LORI / ILCO
1405-L	2" to 2-1/4"	

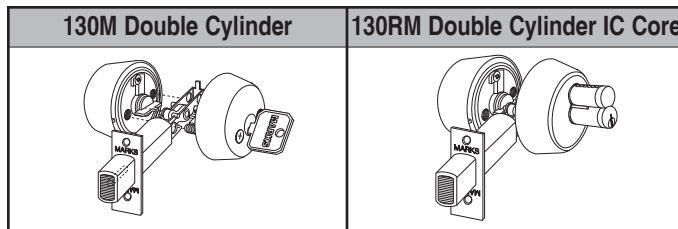
LIFETIME MECHANICAL WARRANTY • FINISHES ARE EXCLUDED FROM THIS WARRANTY


CRAFTED WITH PRIDE IN THE USA

# 130 SERIES "DEFENDER" TUBULAR DEADBOLTS

ANSI 156.5				Standard Features	
 <p style="text-align: center;"><b>130K</b></p>				<ul style="list-style-type: none"> <li>• Bolt: 1" throw</li> <li>• Unitized assemblies for 2-1/8" bore</li> <li>• Strike: #1335, 2-3/4" x 1-1/8" strike</li> <li>• Door thickness: 1-3/8" to 1-7/8"</li> <li>• Cylinder: MARKS "C" keyway, 6 pin w/ 2 keys</li> <li>• 2-3/8" Backset</li> <li>• Latch front: 1" x 2-1/4"</li> </ul>	
COMM. CYL.	IC CORE CYL.*	FUNCTION	ANSI #	3, 10, 10B, 26D, 32, 32D	
K	RK	CYLINDER x TURNPIECE	E0151	162	
L	RL	COMMUNICATING SINGLE CYL	E0161	162	
M	RM	DOUBLE CYLINDER	E0141	186	
S	RS	CLASSROOM	E0171	168	
X	—	TURNPIECE x BLANK PLATE	E0191	135	
<b>DEADBOLTS ARE PACKED 24 PER CASE</b>					
NOTE: Split designs and/or finishes are priced at the highest design and/or finish • Special finishes, consult factory • IC Core Models: Core not included					


OPTIONS	CODE	PRICE
For 2" door	D1	NC
For 2-1/4" door	D2	48
For 1-1/4" - 1-1/2" door	D8	NC
2-3/4" backset, 1-1/8" x 2-1/4" face	E4	10
For 1-1/2" bore	F6	19
Sargent original cylinder or core	F8	21
Less cylinder	G3	Deduct 15
3-5/8" x 1-1/4" Security strike	S4	13




**\* Standard IC Core Models:**   
Interchangeable Core models for 6 or 7 pin cores (not included).  
Accepts: Marks, Medeco KeyMark™, Falcon & Best®. IC Core Tailpieces ARE Included.

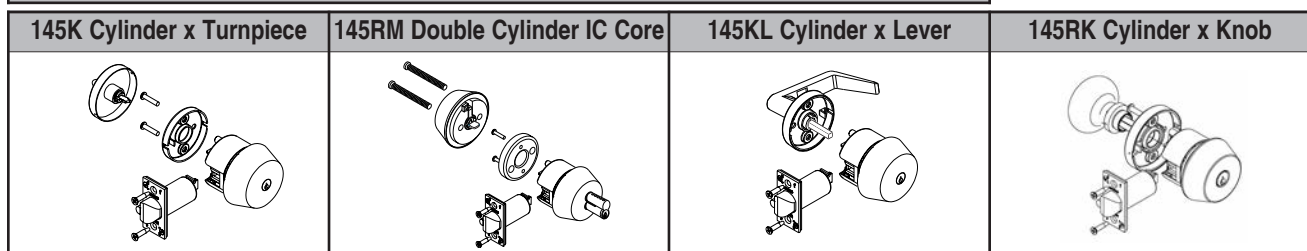
Defender Series

# 145 SERIES "DEFENDER" CYLINDRICAL CARTRIDGE DEADLATCHES

BHMA CERTIFIED		ANSI 156.5 • 3 Hour Fire Rating	UL LISTED	Standard Features	
 <p style="text-align: center;"><b>145M</b></p>				<ul style="list-style-type: none"> <li>• Series 1 Cylindrical Cartridge</li> <li>• Latch: Grade 1, 9/16" throw, 2-3/4" backset</li> <li>• Unitized assemblies for 2-1/8" bore</li> <li>• Strike: #1136, 2-3/4" strike</li> <li>• Door thickness: 1-3/4"; For 1-3/8" doors use spacer rings K1342</li> <li>• Cylinder: MARKS "C" keyway, 6 pin w/ 2 keys</li> <li>• Latch front: 1-1/8" x 2-1/4"</li> </ul>	
COMM. CYL.	IC CORE CYL.*	FUNCTION	ANSI #	3, 10, 10B, 26D, 32, 32D	
K	RK	CYLINDER x TURNPIECE	E01101	208	
L	RL	COMMUNICATING SINGLE CYL	E0131	208	
M	RM	DOUBLE CYLINDER	E01111	225	
X	—	TURNPIECE x BLANK PLATE	E01121	176	
KL	RKL	CYLINDER x LEVER	E01101	352	
KK	RKK	CYLINDER x KNOB		365	
<b>DEADLATCHES ARE PACKED 24 PER CASE</b>					
NOTE: Split designs and/or finishes are priced at the highest design and/or finish • Special finishes, consult factory • IC Core Models: Core not included					

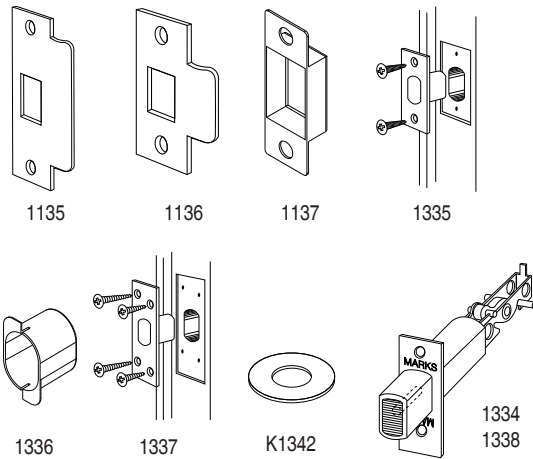
OPTIONS	CODE	PRICE
For 2" door	D1	NC
For 2-1/4" door	D2	50
2-3/8" backset, 1-1/8" x 2-1/4" face	E11	12
Sargent original cylinder or core	F8	21
Less cylinder	G3	Deduct 15
4-7/8" ASA strike	S1	12

**\* Standard IC Core Models:**   
Interchangeable Core models for 6 or 7 pin cores (not included).  
Accepts: Marks, Medeco KeyMark™, Falcon & Best®. IC Core Tailpieces ARE Included.



# DEFENDER SERIES ACCESSORIES

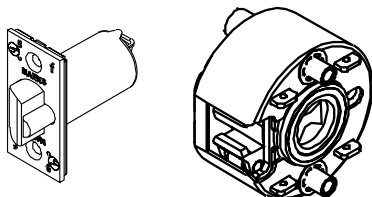
## Strikes, Latches & Spacers



PART #	DESCRIPTION	FINISH GROUPS		
		NO FINISH	3, 32D	10, 10B, 32
1135	4-7/8" ASA STRIKE	—	21	21
1136	2-3/4" "T" STRIKE W/DUST BOX	—	8	13
1137	DUST BOX, PLASTIC, LATCH	4	—	—
1335	2-3/4" x 1-1/8" STANDARD STRIKE	—	6	8
1336	DUST BOX, PLASTIC, DEADBOLT	4	—	—
1337	3-5/8" x 1-1/4" HIGH SECURITY STEEL STRIKE, PLATED FINISH	—	62	—
K1342	1-3/8" DOOR, ROSE EXTENDERS	—	49	61
<b>DEADBOLTS</b>				
1334	2-3/4" BACKSET FRONT 1-1/8" x 2-1/4"	—	32	41
1338	2-3/8" BACKSET FRONT 1-1/8" x 2-1/4"	—	32	41

Defender Series

## Latches & Cylindrical Cartridge



1834

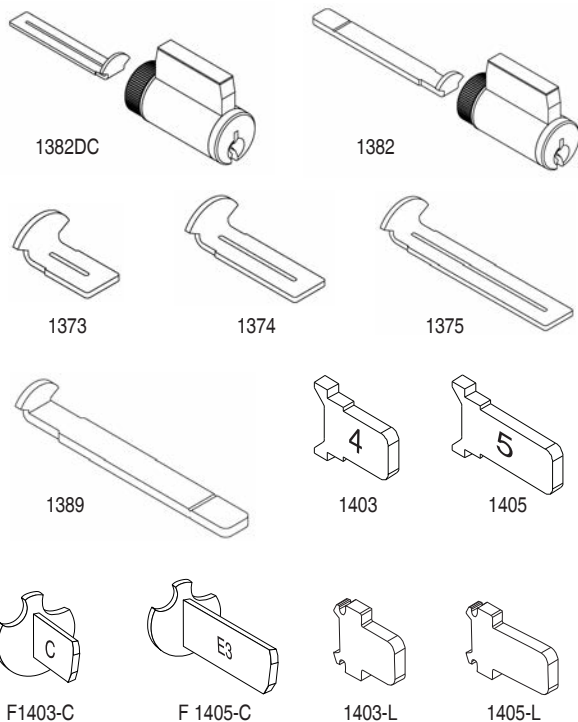
A1420 Cylindrical Cartridge for use with 145 Series

NOTE: Cylindrical Cartridge is for use with E7\* Option ONLY.

LATCH	THROW	Backset 2-3/8" Front 1" x 2-1/4"	Backset 2-3/4" Front 1-1/8" x 2-1/4"	FUNCTION	FINISH GROUPS	
					3, 32D	10, 10B
GRADE 2	1/2"	1138A	1134A	ENTRANCE	41	50
GRADE 1	9/16"	—	1834A	ENTRANCE	84	91

PART #	DESCRIPTION	NO FINISH
A1420	Cylindrical Cartridge for use with 145 Series	101

## Tailpieces & Cylinders



PART #	TAILPIECES FOR 130 DEADBOLTS	PRICE
<b>DOUBLE CYLINDER</b>		
1373	1-5/16" to 1-3/8"	MARKS 1382DC
1374	1-5/8" to 2"	
1375	2-1/8" to 2-3/8"	
<b>SINGLE CYLINDER</b>		
1389	1-3/4" to 2-1/4"	MARKS 1382
<b>TAILPIECES FOR 145 DEADLATCHES</b>		
1403	1-5/8" to 1-7/8"	MARKS TAILPIECE
1405	2" to 2-1/4"	
F1403-C	1-5/8" to 1-7/8"	SCHLAGE® TAILPIECE
F1405-C	2" to 2-1/4"	
1403-L	1-5/8" to 1-7/8"	LORI / ILCO TAILPIECES
1405-L	2" to 2-1/4"	

# HOW TO ORDER DEFENDER LOCKSETS

## How To Order Example for Defender Locksets

<b>145</b>	<b>K</b>	<b>/</b>	<b>32D</b>	<b>—</b>	<b>D1</b>
<small>1. Lockset Series</small>	<small>2. Marks Function</small>	<small>Slash</small>	<small>3. Finish</small>	<small>Dash</small>	<small>4. Options Specify: Keying, Handing &amp; Door Thickness</small>

Defender Series

1 SERIES	
Defender Tubular Deadbolt Locksets	130, 130R
Defender Cylindrical Cartridge Deadlatch Locksets	145, 145R

2 TUBULAR FUNCTIONS				
DEADBOLT/DEADLATCHES (* indicates IC Core)				
			130 Series	145 Series
K	RK*	CYLINDER x TURNPIECE	E0151	E01101
L	RL*	COMM. SINGLE CYLINDER	E0161	E0131
KL	RKL*	CYLINDER x LEVER		E01101
M	RM*	DOUBLE CYLINDER	E0141	E01111
S	RS*	CLASSROOM	E0171	
X		TURNPIECE	E0191	E01121

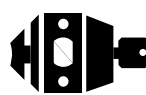


3 FINISH		
MARKS		ANSI #
US 3	Polished Brass, Clear Coated	605
US 10	Satin Bronze, Clear Coated	612E
US 10B	Dark Bronze, Clear Coated	613E
US 26D	Satin Chrome, Plated	626
US 32	Polished Stainless Steel	629
US 32D	Satin Stainless Steel	630

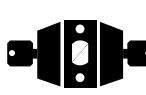
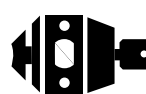

4 OPTIONS		
<b>TRIM MODIFICATIONS</b>		
Tactile knob/lever, coated ext. only	A1	60
Tactile knob/lever, knurled	A4	60
Tactile knob/lever, coated int. & ext.	A18	116
<b>DOOR THICKNESS</b>		
50 mm (2")	D1	NC
57 mm (2-1/4")	D2	48
1-1/4" - 1-1/2"	D8	NC
<b>LATCH</b>		
2-3/4" backset, 1-1/8" x 2-1/4" face	E4	9
2-3/8" backset, 1-1/8" x 2-1/4" face	E11	11
<b>TRIM CHANGES</b>		
Sargent conventional cylinder	F8	20
<b>CYLINDER</b>		
Less cylinder	G3	Deduct 15
<b>STRIKE</b>		
4-7/8" ASA strike	S1	11
4-7/8" x 1-1/4" security strike	S4	12

## DEADBOLT/DEADLATCH FUNCTIONS

ANSI # CODE	MARKS # FUNCTION
<b>130 SERIES:</b>	
E0151	.....K
E0161	.....L
E0141	.....M
E0171	.....S
E0191	.....X

ANSI # CODE	MARKS # FUNCTION
<b>145 SERIES:</b>	
E01101	.....K
E0131	.....L
E01101	.....KL
E01111	.....M
E01121	.....X

ANSI # CODE	Marks Function	
	I/S	O/S
<b>CYLINDER x TURNPIECE:</b> Deadbolt/deadlatch by inside turnpiece or outside key.		K
<b>COMMUNICATING SINGLE CYLINDER:</b> Deadbolt/deadlatch by key from one side only.		L
<b>CYLINDER x LEVER:</b> Deadlatch by key outside. Inside lever always opens latch.		KL

ANSI # CODE	Marks Function	
	I/S	O/S
<b>DOUBLE CYLINDER:</b> Deadbolt/deadlatch by key either side.		M
<b>CLASSROOM:</b> Deadbolt by outside key. Turnpiece will retract but not project deadbolt.		S
<b>TURNPIECE x BLANK PLATE:</b> Deadbolt/deadlatch by inside turnpiece. Blank plate outside.		X