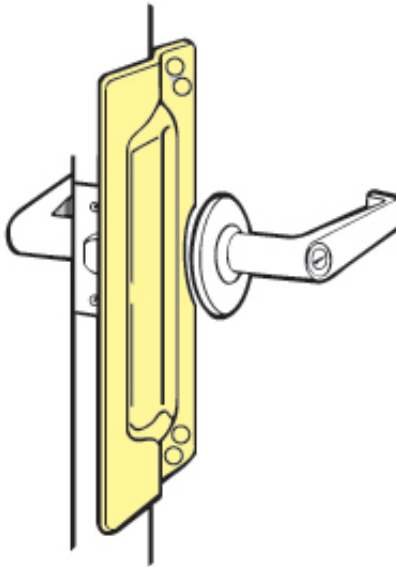




Latch Protector LP 211



Product Specifications

Number	LP 211
Dimensions	3" x 11"
Gauge	12 ga., .104
Material	Steel
Shelf pack	10
Features	Furnished with carriage bolts, washers & acorn cap nuts
Finishes	BP, CP, DU, SL
Competitor part	8851, ELP-220

