

THE BOLLARD

LOW ENERGY DOOR ELECTRONICS



EASY INSTALLATION
MULTIPLE APPLICATIONS
VERY DURABLE

Quality
Intelligence
Precision

Constructed with durable carbon steel and will mount BEA's 4 3/4" square and 4 1/2" round push plate lines

- Can be mounted on either existing concrete or newly poured concrete
- Available in silver, bronze, and black
- Stainless steel mounting bracket
- UV Resistant ABS plastic cap allowing for wireless transmissions

WWW.BEASENSORS.COM

A HALMA COMPANY

BEA
OPEN UP NEW HORIZONS

BOLLARD TECHNICAL SPECS

Dimensions

(with cap attached)
41 1/2" H x 6 1/4" W x 4 1/4" D

Material

Post

Powder-Coated
Carbon Steel
(Inside and Out)

Cap

UV-Resistant ABS Plastic

Mounting Bracket

Stainless Steel

Pushplate Options

4 1/2" Square Pushplate,
4 3/4" Square Pushplate,
4 3/4" Square Panther Pushplate,
Dual Vestibule Pushplate
and 4 1/2" Round Pushplate

Weight

35 lbs (16 kilos)

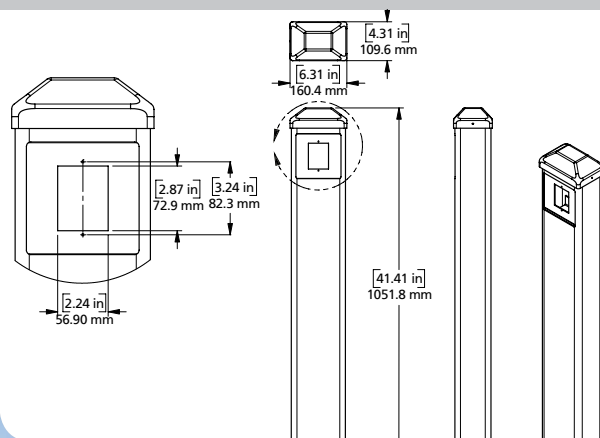
Colors

Black, Bronze, Silver

Mounting Hardware

Screws, Expansion
Anchors, Washers
and Nuts (Included)

BOLLARD DRAWINGS



BOLLARD FAMILY OF PRODUCTS



The Bollard is used for mounting pushplates that activate automatic doors. It will accept BEA's 4 1/2" Square Pushplate, 4 3/4" Square Pushplate, 4 3/4" Panther Pushplate, Dual Vestibule Pushplate and 4 1/2" Round Pushplate. The post is made of durable carbon steel and the mounting bracket is made of stainless steel for strength. It can be mounted on either existing concrete or newly poured concrete.

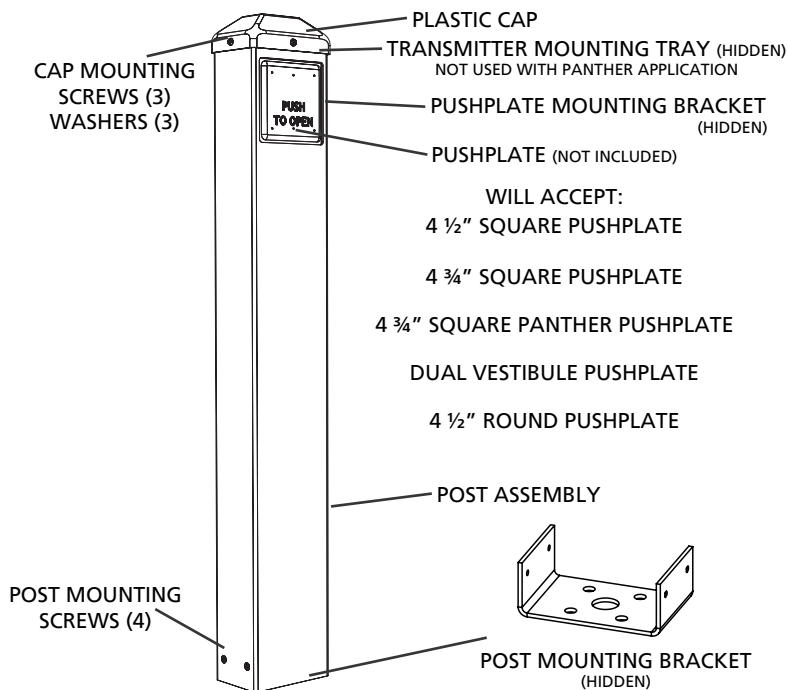
10BOLLARDBLK - Black
10BOLLARDBRZ - Bronze
10BOLLARDSLIV - Silver

BOLLARD APPLICATIONS



LOW ENERGY DOORS

BOLLARD DETAIL



BOLLARD RELATED PRODUCTS



MS08
Touchless microwave
motion detector



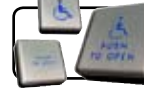
RD433
433 Mhz Digital
Receiver with
Multiple applications



TD433
433 Mhz Digital
Transmitters



Round Push Plates
Any 4.5", 6", or
Panther style



Square Push Plates
Any 4.5", 4.75", 6"
or Panther style

BEA Inc.
RIDC Park West
100 Enterprise Drive
Pittsburgh, PA 15275-1213
PHONE: 1 800.523.2462
FAX: 1 888.523.2462

BEA West
Arrow Hwy. Corporate Center
190 E. Arrow Hwy. Suite A
San Dimas, CA 91773-3314
PHONE: 1 877.232.9378
FAX: 1 888.523.2462

BEA Latin America
Mexico/Caribbean
190 E. Arrow Hwy. Suite A
San Dimas, CA 91773-3314
PHONE: 1 877.232.9378
FAX: 1 888.523.2462

BEA
OPEN UP NEW HORIZONS